

FRONT SUSPENSION

Part No.	Description.	Plate No.	No. per Unit.	Remarks.
C.3842	FRONT SUSPENSION ASSEMBLY, L.H.		1	Fitted from Chassis No. 660001 to 660979 670001 to 672048 669001 to 669002 679001 to 679621
C.3841	FRONT SUSPENSION ASSEMBLY, R.H.		1	
C.6797	FRONT SUSPENSION ASSEMBLY, L.H.		1	Fitted to Chassis No. 660980 and subs. 672049 and subs. 669003 and subs. 679622 and subs. 667001 and subs. 677001 and subs.
C.6796	FRONT SUSPENSION ASSEMBLY, R.H.		1	
C.3002	Shaft, supporting Upper Wishbone Levers	M.1	2	
C.3166/1	Shim, Wheel Camber Adjustment, between Shaft and Chassis Frame (.064")	M.2	As req'd.	
C.3166/2	Shim, Wheel Camber Adjustment, between Shaft and Chassis Frame (.048")	M.2	As req'd.	
C.3166/3	Shim, Wheel Camber Adjustment, between Shaft and Chassis Frame (.036")	M.2	As req'd.	
NB.150/48D	Bolt (Top) securing Upper Wishbone Shafts to Chassis Frame	M.3	4	
C.3164	Tube, Distance, on Bolts	M.4	2	
C.8150/9	Nut, Self-Locking, on Bolts	M.5	4	
NB.137/10D	Bolt (Bottom) securing Upper Wishbone Shafts to Chassis Frame. (If longer Bolt required, use NB.137/12D)	M.6	3	
NB.137/14D	Bolt (Bottom) (Long) securing Upper Wishbone Shaft and Idle Lever Bracket to Chassis Frame. (If longer Bolt required, use NB.137/16D)	M.7	1	
C.8150/7	Nut, Self-Locking, on Bolts	M.8	4	
C.3796	Lever, Wishbone, Upper Front	M.9	2	Fitted from Chassis No. 660001 to 660125 670001 to 670438
C.3797	Lever, Wishbone, Upper Rear	M.10	2	Fitted from Chassis No. 660001 to 660979 670001 to 672048 669001 to 669002 679001 to 679621
C.4739	Lever, Wishbone, Upper Front		2	Fitted to Chassis No. 660126 and subs. 669001 and subs. 670439 and subs. 679001 and subs. 667001 and subs. 677001 and subs.
C.4733	Lever, Wishbone, Upper Rear		2	Fitted to Chassis No. 660980 and subs. 669003 and subs. 672049 and subs. 679622 and subs. 667001 and subs. 677001 and subs.
C.4740	Piece, Distance, for Upper Wishbone Lever		2	Fitted from Chassis No. 660126 to 660979 669001 to 669002 670439 to 672048 679001 to 679621
NB.137/30D	Bolt, securing Housing and Levers		4	
C.3003	Bush (Metalastik) in Levers	M.11	8	
C.3010/1	Nut, Slotted, securing Levers to Upper Wishbone Shafts	M.12	4	
C.3193	Washer, under Nuts	M.13	4	
L.104/10U	Pin, Split, locking Slotted Nuts	M.14	4	
NB.137/27D	Bolt, securing Housing and Levers	M.15	4	Fitted from Chassis No. 660001 to 660125 670001 to 670438 660980 and subs. 672049 and subs. 669003 and subs. 679622 and subs. 667001 and subs. 677001 and subs.
C.3007	Plate, Locking, on Bolts	M.16	4	
NN.137/L	Nut, on Bolts	M.17	4	
C.3019	Shaft, supporting Lower Wishbone Levers	M.18	2	
NB.137/10D	Bolt, securing Lower Wishbone Shafts to Chassis Frame	M.19	4	
C.3653	Bolt, securing Lower Wishbone Shafts to Chassis Frame	M.19	4	
C.8150/7	Nut, Self-Locking, on Bolts	M.20	8	
C.3013	Lever, Wishbone, Lower Front	M.21	2	
C.3005	Lever, Wishbone, Lower Rear, L.H.	M.22	1	SUPERSEDED BY C.4186 SUPERSEDED BY C.4187 SUPERSEDES C.3005 SUPERSEDES C.3017
C.3017	Lever, Wishbone, Lower Rear, R.H.		1	
C.4186	Lever, Wishbone, Lower Rear, L.H.		1	
C.4187	Lever, Wishbone, Lower Rear, R.H.		1	
C.3018	Pin, in Lower Rear Wishbone Levers	M.23	2	
C.3021	Bush in Levers	M.24	8	
C.3010/2	Nut, Slotted, securing Levers to Lower Wishbone Shafts	M.25	4	
C.3114	Washer, under Nuts	M.26	4	

FRONT SUSPENSION

Part No.	Description.	Plate No.	No. per Unit.	Remarks.
FRONT SUSPENSION ASSEMBLY (continued)				
L.105/12U	Pin, Split, locking Nuts	M.27	4	
NN.756/L	Nut, securing Front Lower Wishbone Levers to Lower Rear Wishbone Pins	M.28	2	
C.3004/2	Washer under Nuts	M.29	2	
L.104/10U	Pin, Split, locking Nuts	M.30	2	
C.3606	Carrier, L.H. Stub Axle	N.1	1	
C.3009	Carrier, R.H. Stub Axle	N.1	1	
C.3006	Housing, Ball-joint, at top of Carrier	N.2	2	NOT SUPPLIED SEPARATELY
C.3169	Shim, Wheel Castor Adjustment, between Housing and Rear Upper Wishbone Levers	N.3	2	As req'd.
C.3031	Ball-Pin, in Upper Ball-Joint Housing	N.4	2	NOT SUPPLIED SEPARATELY
C.3032	Socket, over Ball-Pin	N.5	2	
C.635	Spring in Socket	N.6	2	
C.3034	Plate, Cover, over Socket	N.7	2	
C.3362	Nipple, Grease, in Cover Plate	N.8	2	
C.3020	Seal (Rubber) between Ball-Joint Housing and Stub Axle Carrier	N.9	2	
C.3625	Nut, Slotted, securing Ball-Pin to Stub Axle Carrier		2	
C.3004/4	Washer under Nuts		2	Fitted from Chassis No.
L.103/7U	Pin, Split, locking Slotted Nuts		2	660001 to 660226
C.3030	Ball-Joint Assembly (comprising C.3006, C.3031, C.3032, C.635, C.3034, C.3362, C.3020, C.3004/4 and C.3625)		2	670001 to 670759
C.4498	Ball-Joint Assy. (comprising C.3006, C.4499, C.3032, C.635, C.3034, C.3362, C.3020, FW.108/T NN.750/L)		2	NOW SUPERSEDED BY C.4498
NN.750/L	Nut, Slotted, securing Ball-Joint Assy. to Stub Axle Carrier		2	Fitted from Chassis No.
FW.108/T	Washer, Plain, under Nuts		2	660227 to 661032 669001 to 669002
L.104/10U	Pin, Split, locking Slotted Nuts		2	670760 to 673022 679001 to 680192
C.7378	Ball-Joint Assembly		2	
NN.750/L	Nut, Slotted, securing Ball-Joint		2	Fitted to Chassis No.
FW.108/T	Washer, Plain, under Nuts		2	661033 and subs. 669003 and subs.
L.104/10U	Pin, Split, locking Slotted Nuts		2	673023 and subs. 680193 and subs.
C.3022	Ball-Pin, Lower, in Housing on Stub Axle Carrier	N.10	2	667001 and subs. 677001 and subs.
C.3024	Spigot over Ball-Pin	N.11	2	Fitted from Chassis No.
C.3025	Socket, supporting Lower Ball-Pin	N.12	2	660001 to 660086
C.3026	Shim (.004") between Housing and Ball Socket Cap	N.13	2	670001 to 670313
C.3023	Cap, containing Ball Socket	N.14	2	As req'd.
NS.137/9H	Screw, Set, securing Cap to Housing	N.15	8	Fitted from Chassis No.
C.3028	Plate, locking Setscrews	N.16	4	660001 to 660086
C.3362	Nipple, Grease, in Ball Socket Cap	N.17	2	670001 to 670313
C.5742	Ball-Pin, Lower, in Housing on Stub Axle Carrier		2	Fitted to Chassis No.
C.4714	Socket, supporting Lower Ball-Pin		2	669001 and subs. 679001 and subs.
C.3023/1	Cap, containing Ball Socket		2	660087 and subs. 670314 and subs.
				667001 and subs. 677001 and subs.
				Also to 660061, 660071, 660076, 660077, 660079, 660080, 660082, 660085, 670193, 670237, 670246, 670248, 670253, 670255, 670256, 670259, 670260, 670264, 670267, 670268, 670270, 670271, 670272, 670275 to 670283, 670285 to 670294, 670296 to 670299, 670301 to 670312

FRONT SUSPENSION

Part No.	Description.	Plate No.	No. per Unit.	Remarks.
FRONT SUSPENSION ASSEMBLY (continued)				
NN.756/L	Nut, securing Ball-Pin to Lower Rear Wishbone Lever	N.18	2	
C.3004/2	Washer under Nut	N.19	2	
L.104/10U	Pin, Split, locking Nut	N.20	2	
C.3029	Seal Assembly, between Ball-Pin Housing and Lower Rear Wishbone Lever	N.21	2	
C.3818	Screw, securing Seal		8	
C.3890	Brake Assembly, Front L.H.		1	} Fitted from Chassis No. 660001 to 660556 670001 to 671096
C.3889	Brake Assembly, Front R.H.		1	
C.4816	Brake Assembly, Front R.H.		1	} Fitted to Chassis No. 660557 to 660979 669001 to 669002 671097 to 672048 679001 to 679621
C.4817	Brake Assembly, Front L.H.		1	
C.6667	Brake, Assembly, Front R.H.		1	} Fitted from Chassis No. 660980 to 661086 669003 to 669033 672049 to 674075 679622 to 681206 667001 only 677001 to 677491
C.6668	Brake, Assembly, Front L.H.		1	
C.7824	Brake, Assembly, Front R.H.		1	
C.7825	Brake, Assembly, Front L.H.		1	} Fitted from Chassis No. 661087 and subs. 669034 and subs. 674076 and subs. 681207 and subs. 667002 and subs. 677492 and subs.
C.3046	Arm, Steering, L.H.	N.22	1	
C.3045	Arm, Steering, R.H.		1	
C.3046/1	Arm, Steering, L.H.		1	} Fitted from Chassis No. 660001 to 660125 670001 to 670438
C.3045/1	Arm, Steering, R.H.		1	
C.3046/1	Arm, Steering, L.H.		1	} Fitted to Chassis No. 660126 and subs. 669001 and subs. 670439 and subs. 679001 and subs. 667001 and subs. 677001 and subs.
C.3045/1	Arm, Steering, R.H.		1	
NB.143/25D	Bolt, securing Brake Assemblies and Steering Arms to Stub Axle Carriers		4	
NB.143/16D	Bolt, securing Brake Assemblies to Stub Axle Carrier		4	
C.3625	Nut on Bolts		8	
C.3004/4	Washer under Nuts		8	
L.103/7U	Pin, Split, locking Nuts		8	
C.3008	Shaft, Stub Axle	N.23	2	
C.3010/2	Nut, securing Stub Axle Shaft to Carrier	N.24	2	
C.3114	Washer under Nuts	N.25	2	
L.105/14U	Pin, Split, locking Nuts	N.26	2	
C.615	Retainer, Grease (Felt) on Stub Axle Shafts	N.27	2	
C.614	Plate, Cover, over Grease Retainer	N.28	2	
C.3011	Bearing, Inner, for Hub (Timken 14138/14276)	N.29	2	
C.3037	*Hub, Front (complete with Studs)	N.30	2	
C.3012	Bearing, Outer for Hub (Timken 09067/09195)	N.31	2	
C.3010/1	Nut, securing Hubs and Bearings to Stub Axle Shafts	N.32	2	
C.1380	Washer, "D," under Nuts	N.33	2	
L.104/10U	Pin, Split, locking Nuts	N.34	2	
C.3039	*Cap for Hub	N.35	2	
C.7228	*Brake-Drum, Front	N.36	2	
C.3078	Screw, Set, locating Brake Drum on Hubs		4	
C.3040	*Stud in Hubs	N.37	10	
C.3041	*Nut, securing Wheel and Brake Drum to Hubs		10	
C.3044	*Nipple, Grease, on Hubs	N.38	2	
C.3035	Absorber, Shock, Front (Newton)	N.39	2	Fitted from Chassis No. 660001 to 660979 669001 to 669002 670001 to 672048 679001 to 679621
C.7183	Absorber, Shock, Front (Newton)		2	Fitted to Chassis No. 660980 and subs. 669003 and subs. 672049 and subs. 679622 and subs.
NOTE.—Items marked * are for use with "Disc" Type Road Wheels only.				
C.3447	ANTI-ROLL BAR	P.1	1	Fitted from Chassis No. 660001 to 661004 669001 to 669002 670001 to 672669 679001 to 679896

FRONT SUSPENSION

Part No.	Description.	Plate No.	No. per Unit.	Remarks.
C.7220	ANTI-ROLL BAR		1	Fitted to Chassis No. 661005 and subs. 669003 and subs. 672670 and subs. 679897 and subs. 667001 and subs. 677001 and subs.
C.3056	Bearing (Rubber) on Anti-Roll Bar	P.2	2	Fitted from Chassis No. 660001 to 661004 669001 to 669002 670001 to 672669 679001 to 679896
C.4349	Bearing (Rubber) on Anti-Roll Bar		2	Fitted to Chassis No. 661005 and subs. 669003 and subs. 672670 and subs. 679897 and subs. 667001 and subs. 677001 and subs.
C.3054	Bracket, over Bearings	P.3	2	
NB.137/6D	Bolt, securing Bearing Bracket to Support Bracket on Chassis Frame	P.4	4	
NN.137/L	Nut on Bolt	P.5	4	
FG.106/X	Washer, Spring, under Nuts		4	
C.3049	Link for Anti-Roll Bar	P.6	2	
C.3050	Bush in Link Boss	P.7	4	
C.3337	Washer on each side of Link Boss	P.8	4	
L.105/10U	Pin, Split, retaining Link on Anti-Roll Bar	P.9	2	
C.793	Washer (Lower) on Link Shaft	P.10	2	
C.3053	Buffer (Rubber) on each side of Anchor Bracket Flange	P.11	4	
C.3052	Washer (Upper) on Link Shaft	P.12	2	
NN.743/L	Nut, Slotted, securing Link to flange of Anchor Bracket	P.13	2	
L.103/8U	Pin, Split, locking Nut	P.14	2	
C.3058	Bracket, Anchor, L.H.	P.15	1	
C.3057	Bracket, Anchor, R.H.		1	
NB.137/16D	Bolt, securing Anchor Bracket to Bottom Rear Wishbone Lever	P.16	2	
NN.137/L	Nut on Bolt	P.17	2	
FG.106/X	Washer, Spring, under Nut		2	
C.3168	TORSION BAR, L.H.	P.18	1	
C.3167	TORSION BAR, R.H.		1	
C.3047	Flange for Torsion Bar	P.19	2	
C.3060	Bolt, securing Torsion Bar Flange to Rear Lower Wishbone Lever		2	
NN.756/L	Nut on Bolt		2	
C.3004/2	Washer under Nut		2	
L.104/10U	Pin, Split, Locking Nut		2	
NS.137/14F	Screw, Set, securing Torsion Bar Flange to Rear Lower Wishbone Lever		2	
FG.106/X	Washer, Spring, on Setscrews		2	
C.3462	Lever, adjusting L.H. Torsion Bar	P.20	1	
C.3461	Lever, adjusting R.H. Torsion Bar		1	
NB.137/19D	Bolt, locating Adjusting Levers on rear end of Torsion Bars	P.21	2	
BD.541/1	Washer, Special, on Locating Bolts		2	
NN.137/L	Nut on Bolts	P.22	2	
FG.106/X	Washer, Spring, under Nuts	P.23	2	
C.3096	Bolt, between Re-Action Bracket and Adjusting Lever	P.24	2	
C.3098	Trunnion on Adjusting Bolt	P.25	2	
C.3097	Nut, adjusting Torsion Bars	P.26	2	
NB.131/13D	Bolt, clamping Adjusting Lever to Re-Action Bracket	P.27	2	
C.726	Washer, Shakeproof, on Clamp Bolts	P.28	2	
THE FOLLOWING ITEMS ARE REQUIRED FOR "SPECIAL EQUIPMENT" MODELS (i.e., Cars bearing the prefix "S" to the Chassis number.)				
C.6020	Hub, R.H. Front		1	
C.6021	Hub, L.H. Front		1	
C.1102	Hub Cap, R.H.		1	
C.1103	Hub Cap, L.H.		1	
C.3076	Nipple, Grease, for Front Hub Bearings		2	
C.6024	Brake Drum, Front		2	
NN.143/L	Nut for Hub Studs		10	
C.1096/1	Washer, Spring, under Nuts		10	
C.6277	Stud in Hubs		10	
C.5719	Torsion Bar, R.H.		1	
C.5720	Torsion Bar, L.H.		1	

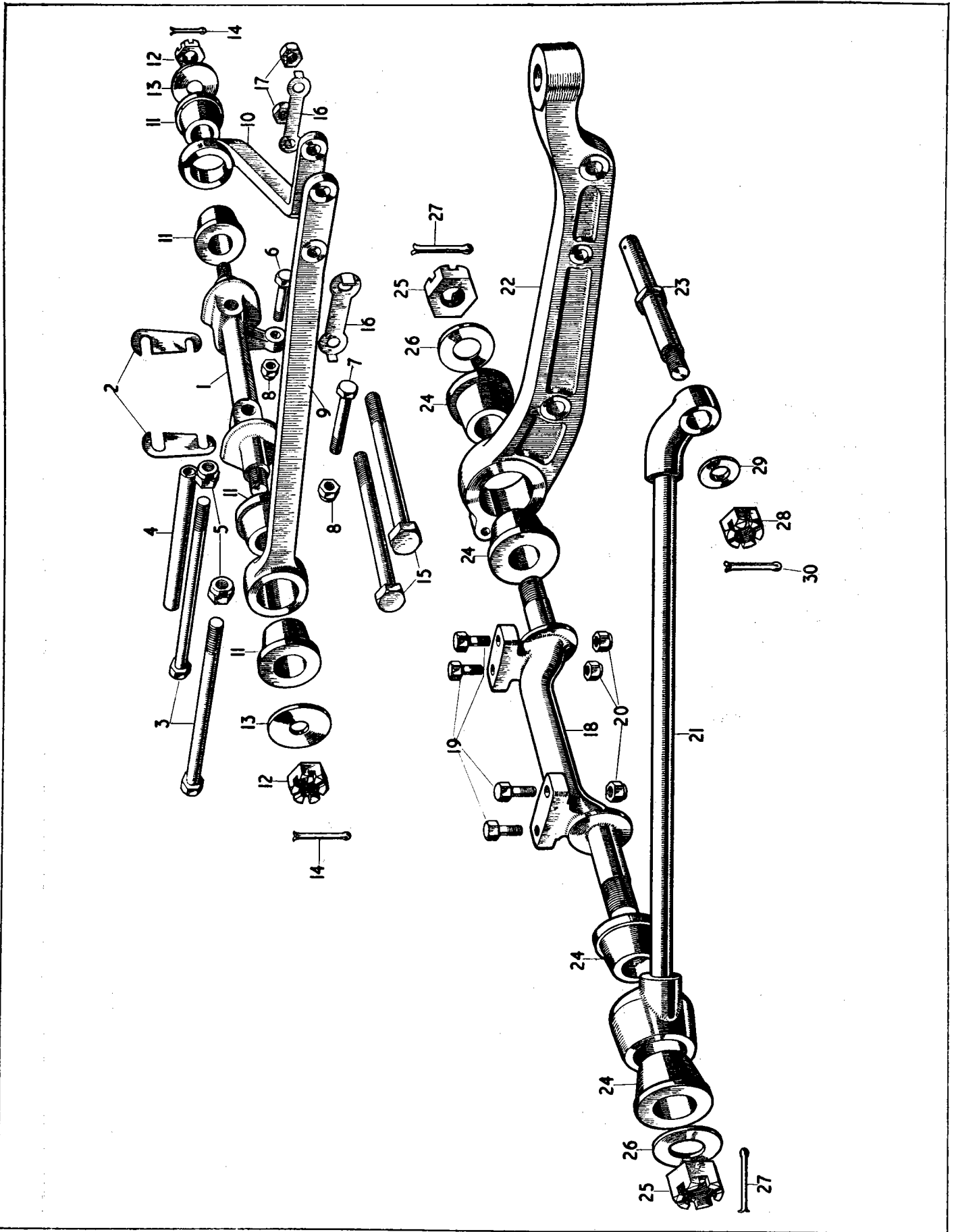


PLATE M.

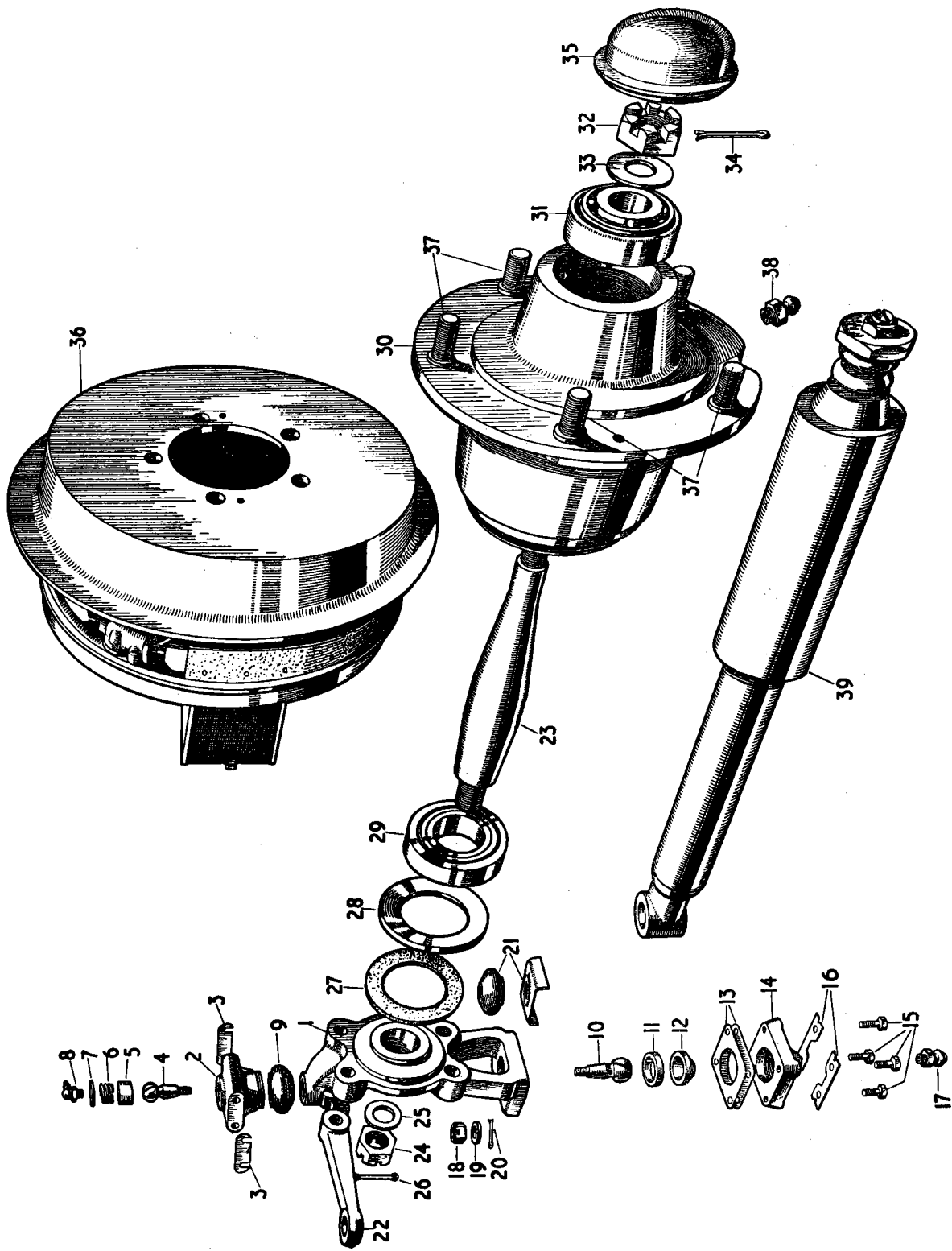


PLATE N.

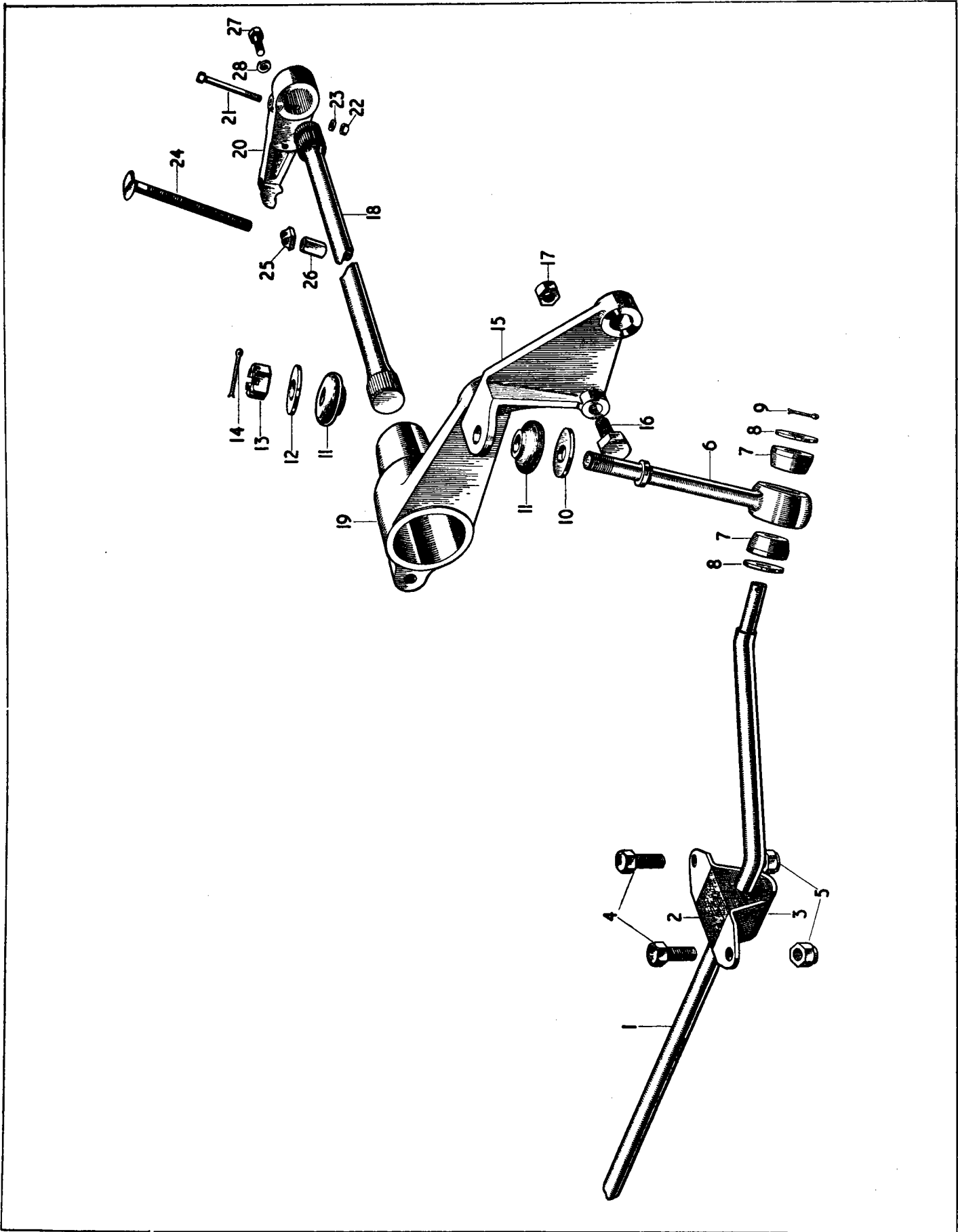


PLATE P.

ROAD WHEELS

Part No.	Description.	Plate No.	No. per Unit.	Remarks.
C.3105	ROAD WHEEL (DISC)		5	Fitted from Chassis No. 660001 to 661041 669001 to 669002 670001 to 673297 679001 to 680476
C.6749	ROAD WHEEL (DISC) (5½K RIM) (LP.664)		5	Fitted to Chassis No. 661042 and subs. 669003 and subs. 673298 and subs. 680477 and subs. 667001 and subs. 677001 and subs.
C.6838	ROAD WHEEL (WIRE SPOKE) (X.445A)		5	FITTED TO SPECIAL EQUIPMENT MODELS
C.5602	Spoke (Long) at front of Wire Wheel		90	
C.5603	Spoke (Short) at rear of Wire Wheel		180	
C.5604	Nipple for Spokes		270	
C.3760	OUTER COVER (DUNLOP ROADSPEED 6-00"×16")		5	
C.6649	OUTER COVER (DUNLOP RACING 6-00"×16")		5	SUPPLIED TO SPECIAL ORDER ONLY
C.3761	INNER TUBE (DUNLOP 6-00"×16")		5	
C.6650	INNER TUBE (DUNLOP RACING 6-00"×16")		5	SUPPLIED TO SPECIAL ORDER ONLY
C.3243	WHEEL DISC		4	FOR USE WITH "DISC" WHEELS
C.3367	BADGE FOR WHEEL DISC		4	
AN.104/L	Nut, securing Badge to Wheel Discs		8	
C.736	Washer, Shakeproof, under Nuts		8	
C.3041	Nut, securing Road Wheels to Hub Studs		20	
BALANCE-WEIGHT FOR ROAD WHEELS				
C.3985	Balance-Weight (½ oz.)			As req'd.
C.3986	Balance-Weight (1 oz.)			As req'd.
C.3987	Balance-Weight (1½ ozs.)			As req'd.
C.3988	Balance-Weight (2 ozs.)			As req'd.
C.3989	Balance-Weight (2½ ozs.)			As req'd.
C.3990	Balance-Weight (3 ozs.)			As req'd.
C.1102	HUB CAP, R.H.		2	FOR USE WITH "WIRE" WHEELS
C.1103	HUB CAP, L.H.		2	