



JAGUAR

SPARE PARTS CATALOGUE

FOR

XK.120

DROP HEAD COUPE MODELS

ENGINE NUMBER

RIGHT OR LEFT-HAND DRIVE - - - W.1001 and F.1001 ONWARDS

NOTE:—Suffix /7 or /8 of Engine Number denotes Compression Ratio.

CHASSIS NUMBERS

RIGHT-HAND DRIVE - - - - - 667001 ONWARDS

LEFT-HAND DRIVE - - - - - 677001 ONWARDS

JAGUAR CARS LIMITED, COVENTRY, ENGLAND

Telephone:
Coventry 62677 (P.B.X.)

Telegraphic Address:
"JAGUAR" COVENTRY

Code: Bentley's 2nd

DIRECTORS

WILLIAM LYONS, CHAIRMAN AND MANAGING DIRECTOR
A. WHITTAKER, GENERAL MANAGER

E. F. HUCKVALE, F.C.C.S., SECRETARY
W. M. HEYNES, M.I.(MECH.)E.(A.D.), M.S.A.E.

INTERPRETATION OF CATALOGUE

Attention is drawn to the lay-out of this catalogue. It will be observed that the heading of each assembly is printed in **BOLD BLOCK LETTERS**, whilst the spares relevant to each assembly are printed in small type and "OFFSET" TO THE RIGHT.

The fact that certain items (printed in small type) are not "offset" indicates that they do not form part of any assembly and must, therefore, be ordered as individual items.

ILLUSTRATIONS

To aid identification of spares, "exploded" illustrations are incorporated in this catalogue.

These illustrations may be used in the following manner:—

(a) If a Front Bumper Bar is required, the index shows that the details for the item are printed on page 8 and that it is illustrated on Plate F. Turning to page 8, the necessary information for the ordering of the part is given, whilst the column headed "Plate No." indicates that reference to item number 39 on Plate F will give a photographic view of the component required.

(b) The details for each illustrated item are printed in the script in numerical Plate number order. An item may therefore be first identified photographically. For example, if a Lock is required for the Petrol Filler Door, a picture of the part may be found with the Body details on Plate F, together with its Plate Reference No. It is now an easy matter to find Plate No. "F.131" in the script and the Part No. and Technical Description are at once apparent.

ORDERING

Customers are advised to make themselves familiar with the method of ordering spare parts in accordance with the explanatory notes which follow.

INSTRUCTIONS FOR ORDERING SPARE PARTS

To avoid delay through inaccurate interpretation, it is of great importance that the information detailed in the following paragraphs be strictly adhered to when placing orders.

CAR TYPE

Always quote the Engine and Chassis Nos. except when Stock Orders are placed, in which case the Year and Model must be indicated.

The Engine and Chassis Nos. will be found stamped on a brass plate which is fitted to the left-hand side of the scuttle on right-hand drive cars and to the right-hand side of the scuttle on left-hand drive cars.

DETAILS OF PARTS REQUIRED

When ordering, the most complete information should be given to enable us to deal with your requirements expeditiously and to minimise delay in the despatch of the goods. Therefore we strongly recommend that the following procedure be adopted:—

- (1) Identify part with technical description in catalogue.
- (2) On order, quote (a) Part No., (b) Technical Description. **Note: In no case should the illustration Plate No. be given.**
- (3) If doubts exist as to the Part No. or Description, a dimensioned sketch will assist in the interpretation of the order or, alternatively, the old part should accompany the order as a pattern. When patterns are sent, it is most important that they be labelled, indicating the name and address of the sender, together with any reference such as Order No., etc. Patterns will not be returned unless instructions to that effect accompany the order. In the absence of such instructions, patterns will be scrapped after retention for a period of ONE WEEK.
- (4) To order in "sets" is misleading. Please, therefore, **state the specific quantity required.**

SPECIAL ATTENTION

Particular attention is drawn to the fact that when such items as Wings, Doors, Door Glasses, etc., are required, care should be taken to indicate whether they are located on the left- or right-hand side of the car. The position is determined by the driver's own left or right hand when seated.

Orders for Carpets, Casings, etc., should clearly state the precise colour required.

DESPATCH INSTRUCTIONS

The full address of the destination to which the goods are to be sent, together with that of the customer, should be clearly defined.

Whilst every effort will be made to observe customers' wishes as to the mode of transport, it is the normal custom to utilise the quickest possible method, whether it be post, passenger train or road transport, this being dependent upon the size and weight of the package and the destination.

PRICES

Current retail prices, shown in the Master Parts Price List, are subject to alteration without notice and are for delivery at Works. Postage, carriage and packing will be charged extra.

DAMAGE BY FIRE OR ACCIDENT

Whilst every precaution is taken, we do not accept liability for damage which may be caused by fire to any motor car or part thereof entrusted to us for any purpose whatsoever. Nor is liability accepted for accidental damage.

The pages enclosed herewith enumerate Spare Parts which may be required to replace items fitted to **XK.120 DROP HEAD COUPE MODELS.**

Other parts are common to **OPEN TWO-SEATER MODELS,** and details for these will be found in **PUBLICATION J.8.**

INDEX FOR DROP HEAD COUPE MODELS

Description.	Page No.	Plate.	Description.	Page No.	Plate.
BODY	1—49	F:G:H	BODY—(continued)		
Ash Tray	39	H	Headlamp Container Motif	3	
Backlight	15	F	Head Pillar Cappings	17	F
Body Mounting	3		Head Pillar Finishers	18	F
Body Shell	1	F	Head Pillar Seals	18	
Bonnet	6	F	Hood Backlight	15	F
Bonnet Badge	8	F	Hood Chrome Beads	15	F
Bonnet Buffer	6	F	Hood Clamps	16	F
Bonnet Catch	7	F	Hood Cloth	14	
Bonnet Catch Hook and Striker	7	F	Hood Envelope	16	
Bonnet Catch Control Wire	7	F	Hood Headlining	14	
Bonnet Hinge	6	F	Hood Sticks	13	F
Bonnet Prop	7	F	Hood Straps	16	
Cantrail Capping	17	F	Hood Toggle Clamps	13—14	F
Car Heater Assembly	44		Hood Toggle Clamp Hooks	14	F
Car Heater Air Ducts	47		Instrument Board	37	H
Car Heater Air Duct Hoses	48		Instrument Board Drawer	37	H
Car Heater Boxes	1		Instrument Board Drawer Slides	37	H
Car Heater Demister	47		Instrument Board Panels	38	H
Car Heater Demister Escutcheon	48		Interior Lamp	16	F
Car Heater Hoses	45—46		Interior Mirror	48	
Car Heater Hose Adapter	46		Licence Holder	26	
Car Heater Hose Banjo	46		Luggage Compartment Carpet	12	
Car Heater Return Pipes	46—47		Luggage Compartment Floor	20	F
Car Heater Rheostat Switch	47		Luggage Compartment Floorboards	21	F
Car Heater Sealing Rubbers	45		Luggage Compartment Lid	21	F
Car Heater Valve	45		Luggage Compartment Lid Casing	21	F
Car Heater Valve Knob	45		Luggage Compartment Lid Handle	21	F
Carpets	12		Luggage Compartment Lid Hinges	22	F
Commission Number Plate	26		Luggage Compartment Lid Lamp	21	F
Cubby Box	38	H	Luggage Compartment Lid Lock	21	F
Cubby Box Lock	38		Luggage Compartment Lid Prop	22	F
Door	26—27	G	Luggage Compartment Lid Seals	22	
Door Cappings	34	G	Parcel Box	41	H
Door Casings	30	G	Parcel Box Fastener	42	H
Door Facia	33	G	Parcel Box Hinge	42—43	H
Door Glass	30		Parcel Box Lid	42—43	H
Door Handles	29	G	Parcel Shelf Covering	43—44	H
Door Hinge	28	G	Petrol Filler Box	23	F
Door Hinge Pivot Pin	28	G	Petrol Filler Cap	25	F
Door Lock	28	G	Petrol Filler Door	24	F
Door Lock Cover Plate	28	G	Petrol Filler Hinge	24	F
Door Lock Striker	28	G	Petrol Filler Lock	24	F
Door Regulator	29	G	Petrol Filler Striker	25	F
Door Regulator Handle	29	G	Propeller Shaft Tunnel	11	F
Door Seals	34—35	G	Propeller Shaft Tunnel Cover	40	H
Door Seal Retainers	35—36	G	Radiator Grille	8	F
Door Ventilators	31	G	Rear Number Plate	25—26	
Door Ventilator Frame	31	G	Rear Over-Rider	10	F
Door Ventilator Glass Frame	31	G	Rear Over-Rider Spring Bar	10	F
Door Ventilator Handle	33	G	Rear Over-Rider Support Bracket	10	F
Door Ventilator Pivots	32	G	Rear Quarter Casing	41	H
Door Ventilator Seals	32	G	Rear Wing	19	
Door Ventilator Striker Plates	33	G	Rear Wing Cover	20	F
Drip Moulding	13		Rear Wing Cover Escutcheon	20	F
Facia Boards	37—38	H	Rear Wing Cover Lock	20	F
Felts	12		Rear Wing Piping	19	
Floor Boards	11	F	Rear Wing Sealing Rubber	19	F
Floor Panels	10—11	F	Rear Wing Steady	19	
Front Bumper	8	F	Screen Pillar Cappings	17	F
Front Bumper Extension	9	F	Screen Pillar Finishers	18	F
Front Bumper Spring Bars	9	F	Screen Pillar Seals	17	
Front Bumper Support Member	9	F	Screen Rail Facia	38	H
Front Bumper Support Strut	9	F	Scuttle Assembly	1	
Front Number Plate	25		Scuttle Casings	36	H
Front Wing	3	F	Seats	39—40	H
Front Wing Steady	5		Seat Cushion	40	H
Front Wing Valance	3—4	F	Seat Hinges	40	
Front Wing Ventilator	5	F	Seat Runners	40	H
Front Wing Ventilator Adjusting Plates	6	F	Side Lamp Containers	3	
Front Wing Ventilator Doors	5	F	Spare Wheel Clamp	23	F
Front Wing Ventilator Gauze	6	F	Spare Wheel Tray	23	F
Front Wing Ventilator Hinges	6	F	Tool Fixings	22	
Front Wing Ventilator Seals	5	F	Trim Fillets	12	
Gauntlets	12		Windscreen Embellishers	8	F
Gearbox Cover	11	F	Windscreen Retainers	8	F
Headlamp Container	3		Windscreen Seals	8	F
			Windscreen Washer	48—49	

INDEX

FOR DROP HEAD COUPE MODELS

Description.	Page No.	Plate.	Description.	Page No.	Plate.
ELECTRICAL EQUIPMENT	ELECTRICAL EQUIPMENT—(continued)
Ammeter	54—67	J	Panel Lights Switch	57	J
Battery	57—58	J	Petrol Gauge	57—58	J
Battery Cables	64		Petrol Pump	56	J
Body Harness	64		Reverse Lamp	62	J
Boot Light	59	J	Reverse Lamp Bulb	62	
Boot Light Switch	59	J	Reverse Lamp Switch	62	
Cables	65		Rev. Counter and Clock	59	J
Cable Clips	66—67		Rev. Counter Cable	59	
Chassis Harness	65		Side Lamp	61	J
Cigar Lighter	57—58	J	Side Lamp Bulb	61	J
Control Box	56	J	Side Lamp Indicators	61	J
Dipper Switch	61	J	Speedometer	58—59	J
Distributor	55	J	Speedometer Cable	59	
Distributor Bearings	55		Starter	54	J
Distributor Brush and Spring	55		Starter Brushes	54	
Distributor Condenser	55		Starter Bushes	54	
Distributor Contacts	55		Starter Drive	54	
Distributor Cover	55		Starter Pinion and Sleeve	54	
Distributor Rotor Arm	55		Starter Solenoid Switch	54	J
Dynamo	54	J	Starter Switch	57	J
Dynamo Bearings	54		Stator Tube	63	J
Dynamo Brushes	54		Steering Column Control	63	
Dynamo Pulley	54		Tail Stop Lamp	62	J
Earth Leads	65		Tail Stop Lamp Housing	62	
Flasher Harness	65		Tail Stop Lamp Switch	62	J
Fuse Box	56	J	Thermometer Gauge	57—58	J
Grommets	67		Trafficator Switch	63	J
Headlamp	60—61	J	Windscreen Wiper	63—64	
Headlamp Adapters	60—61	J	Windscreen Wiper Arm	64	J
Headlamp Dipper Switch	61	J	Windscreen Wiper Blade	64	J
Headlamp Light Unit	60	J	Windscreen Wiper Drive	63	J
Headlamp Rim	60	J	Windscreen Wiper Motor	63	J
Heater Switch	57	J	Windscreen Wiper Switch	57	J
Horn	63	J			
Horn contacts	63				
Horn Relay Box	63				
Horn Push	63	J	LIST OF EXTRAS	68—71	
Ignition Coil	55	J	Auxiliary Petrol Tank	70	
Ignition Coil Bracket	55	J	Auxiliary Petrol Tank Hoses	70	
Ignition Switch	57	J	Auxiliary Petrol Tank Straps	71	
Instrument Panel	57—58	J	Car Radio	68—69	
Interior Light Switch	57—58	J	Car Radio Aerial	68	
Lighting Switch	57	J	Car Radio Condensers	68	
Luggage Boot Harness	65		Car Radio Mounting Bracket	69	
Number Plate Lamp	62	J	Fog Lamps	70	
Oil Pressure Gauge	57—58	J	Luggage Rack	70	
Panel Harness	64		Suit Cases	69	

INDEX

FOR ITEMS NOT INCORPORATED IN THIS CATALOGUE

	Refer to Publication J.8. Page No. Plate.			Refer to Publication J.8. Page No. Plate.
CYLINDER BLOCK	1-6C	A	CYLINDER HEAD—(continued)	
Cap Screws (Sealing Rings)	1	A	Camshafts	8 B
Connecting Rod... ..	3	A	Camshaft Bearings	8 B
Connecting Rod Bearings (Big End)	3	A	Camshaft Covers	8 B
Connecting Rod Bearings (Small End)	3	A	Camshaft Cover Filler Cap	8 B
Connecting Rod Bolts	3	A	Camshaft Cover Gaskets	8 B
Crankshaft	1-2	A	Camshaft Cover Sealing Plug	8A B
Crankshaft Bearings	2	A	Camshaft Ring Dowels	8 B
Crankshaft Bush	2	A	Camshaft Studs	8 B
Crankshaft Damper	2	A	Conduit (High Tension Leads)	10 B
Crankshaft Damper Centre	2	A	Cylinder Head Gasket	7 B
Crankshaft Oil Pump Gear	2	A	Cylinder Head Oil Pipe	9 B
Crankshaft Oil Thrower	2	A	Engine Decarbonising Gaskets	10A B
Crankshaft Pulley	2	A	Exhaust Manifolds	9 B
Crankshaft Split Cone	2	A	Exhaust Manifold Gaskets	9 B
Crankshaft Starter Jaw... ..	1	A	Exhaust Manifold Studs	9 B
Crankshaft Thrust Washers	2	A	Front Cover	8A B
Crankshaft Timing Gear	2	A	High Tension Leads	10 B
Drain Tube (Bearing Cap)	1	A	Inlet Manifold	9 B
Engine Damper	6B		Inlet Manifold Gaskets	9 B
Engine Overhaul Gaskets	6C		Inlet Manifold Studs	9 B
Flywheel	2	A	Rev. Counter Adapter	8A B
Flywheel Dowels	2	A	Rev. Counter Adapter Oil Seal	8A B
Front Engine Mounting	6B	A	Rev. Counter Adapter Oil Thrower	8A B
Front Engine Plate	6B	A	Rev. Counter Adapter Shaft	8A B
Liners	1		Sparkling Plugs	10 B
Oil Cleaner	5-6	A	Starting Pipe	10 B
Oil Cleaner Element	5	A	Starting Pipe Flange	9 B
Oil Cleaner Gasket	6	A	Thermostat	10 B
Oil Cleaner Relief Valve	6	A	Valves	7 B
Oil Pipes	4	A	Valve Adjusting Pads	7-8 B
Oil Pump	4	A	Valve Collars	7 B
Oil Pump Coupling Shaft	4	A	Valve Cutters	7 B
Oil Pump Delivery Pipe	4	A	Valve Guides	7 B
Oil Pump Drive Shaft	4	A	Valve Inserts	7 B
Oil Pump Gasket	4	A	Valve Springs	7 B
Oil Pump Gears	4	A	Valve Spring Seats	7 B
Oil Pump Spindle	4	A	Valve Tappets	7 B
Oil Sump	4	A	Valve Tappet Guides	7 B
Oil Sump Deflector	5		Water Outlet Elbow	9 B
Oil Sump Dipstick	5	A		
Oil Sump Drain Plug	5	A	TIMING GEAR	11-12A C
Oil Sump Element	5	A	Adjusting Plate	11 C
Oil Sump Floating Filter	4	A	Camshaft Sprockets	11 C
Oil Sump Gasket	5	A	Chain Tensioner	12 C
Oil Sump Seals	4	A	Chain Tensioner Bracket	12 C
Oil Sump Trays	5	A	Chain Tensioner Spring	12 C
Pistons	2-3	A	Idle Sprocket	11 C
Piston Rings	2-3	A	Idle Sprocket Eccentric Shaft	11 C
Rear Cover	1	A	Intermediate Sprocket (20 teeth)	11 C
Rear Engine Mounting	6B	A	Intermediate Sprocket (28 Teeth)	11 C
Ring Dowels (Rear Cover)	1	A	Intermediate Sprocket Shaft	11 C
Sealing Ring (Rear Cover)	1	A	Mounting Brackets	11 C
Stabilizer	6B		Oil Spray Bracket	12 C
Studs (Cylinder Head)	1	A	Timing Chains	12 C
Torque Arm	6C	A	Timing Cover	12A C
Water Drain Tap	1	A	Timing Cover Gasket	12A C
Water Pump	6-6A	A	Timing Cover Oil Seal	12A C
Water Pump Banjo	6A	A	Vibration Damper	12-12A C
Water Pump Bearings	6-6A	A	Vibration Damper Bracket	12-12A C
Water Pump Driving Dogs	6-6A	A		
Water Pump Fan	6A	A	CARBURETTER	13-14B D
Water Pump Fan Belt	6A	A	Connecting Shaft	14 & 14B D
Water Pump Fan Hub	6A	A	Coupling Shaft	14 & 14B D
Water Pump Fan Pulley	6A	A	Feed Pipe	14 & 14C D
Water Pump Felt Washers	6-6A	A	Flange Gasket	14 & 14B D
Water Pump Gasket	6-6A	A	Flexible Coupling	14 & 14B D
Water Pump Impeller	6-6A	A	Flexible Pipe	14 & 14C D
Water Pump Seal	6-6A	A	Float	13 & 14A D
Water Pump Spindle	6-6A	A	Float Chambers	13 & 14A D
			Front Carburetter	13 & 14A D
CYLINDER HEAD	7-10	B	Gland Spring	13 & 14A D
Anti-Blow-Back Valve	10		Gland Washers	13 & 14A D
Anti-Blow-Back Valve Spring	10		Jet Bearings	13 & 14A D
Breather Housing	8A	B	Jet and Head	13 & 14A D
Breather Pipe (Flexible)	8A	B		
Breather Pipe (Tube)	8A	B		

INDEX

FOR ITEMS NOT INCORPORATED IN THIS CATALOGUE

Description.	Refer to Publication J.8. Page No. Plate.		Description.	Refer to Publication J.8. Page No. Plate.	
CARBURETTER—(continued)			GEARBOX ("S.H." SERIES)—(continued)		
Needle	13 & 14A	D	Countershaft	22 H	
Needle and Seat	13 & 14A	D	Countershaft Gear-Unit	22 H	
Oil Damper	13 & 14A	D	Countershaft Needle Rollers	22 H	
Overflow Pipes	14 & 14C	D	Countershaft Thrust Washers	22 H	
Rear Carburetter	13 & 14A	D	Dipstick	21 G	
Sealing Rings	13 & 14A	D	Drain Plug	20 G	
Solenoid	13 & 14B	D	Extension	20 G	
Starting Needle	14 & 14B	D	Extension Bearing	20 G	
Starting Pipe	14 & 14C	D	Front End Cover	20 G	
Suction Chambers	13 & 14A	D	Front End Cover Oil Seal	20 G	
Thermostat Jet	14 & 14B	D	Interlock Balls	21 G	
Throttle Lever	13 & 14A	D	Interlock Roller	21 G	
Throttle Spindles	13 & 14A	D	Mainshaft... ..	22 H	
			Mainshaft Bearings	20 G	
			Mainshaft Flange	21 H	
			Mainshaft Gears	22 H	
			Mainshaft Needle Rollers	22 H	
			Mainshaft Operating Sleeve	22 H	
			Mainshaft Synchro Shims	22 H	
			Mainshaft Synchro Sleeve	22 H	
			Mainshaft Synchro Springs	22 H	
			Rear End Cover	20 G	
			Rear End Cover Oil Seal	20 G	
			Reverse Gear	22 H	
			Reverse Slipper	22 H	
			Reverse Spindle	22 H	
			Selectors	20 G	
			Speedometer Driven Gear	20 G	
			Speedometer Driving Gear	22 G	
			Striking Rods	20 G	
			Top Cover	21 G	
AIR CLEANERS	14C				
ACCELERATOR CONTROLS	15—16	E	GEARBOX ("J.H." SERIES)	23—25	
Accelerator Pedal	15	E	Breather Plug	24 G	
Accelerator Pedal Fulcrum Pin	15	E	Casing	23 G	
Accelerator Pedal Pad	15	E	Change-Speed Forks	23 G	
Adjustable Bracket	15	E	Change-Speed Lever	24 G	
Control Rods	16	E	Change-Speed Lever Bearing	24 G	
Intermediate Bracket	16	E	Change-Speed Lever Knob	24 G	
Intermediate Throttle Lever	16	E	Constant Pinion	25 J	
Mounting Bracket	15	E	Constant Pinion Oil Thrower	25 J	
Scuttle Bracket	15	E	Constant Pinion Bearing (Cage)	25 J	
Socket	16	E	Constant Pinion Shaft	25 J	
			Constant Pinion Shaft Bearing	23 G	
			Constant Wheel	25 J	
			Countershaft	25 J	
			Countershaft Gears	25 J	
			Countershaft Needle Rollers	25 J	
			Countershaft Thrust Washers	25 J	
			Dipstick	24 G	
			Drain Plug	23 G	
			Extension	23 G	
			Extension Bearing	23 G	
			Front End Cover	23 G	
			Front End Cover Oil Seal	23 G	
			Interlock Balls	24 G	
			Interlock Roller	24 G	
			Mainshaft... ..	25 J	
			Mainshaft Bearings	23 G	
			Mainshaft Flange	24 J	
			Mainshaft Gears	25 J	
			Mainshaft Needle Rollers	25 J	
			Mainshaft Operating Sleeve	25 J	
			Mainshaft Synchro Shims	25 J	
			Mainshaft Synchro Sleeve	25 J	
			Mainshaft Synchro Springs	25 J	
			Rear End Cover	23 G	
			Rear End Cover Oil Seal	23 G	
			Reverse Gear	25 J	
			Reverse Slipper	25 J	
			Reverse Spindle	25 J	
			Selectors	23 G	
			Speedometer Driven Gear	23 G	
			Speedometer Driving Gear	25 J	
			Striking Rods	23 G	
			Top Cover	24 G	
CLUTCH AND CLUTCH CONTROL...	17—19A	F			
Adjusting Rod	19A	F			
Adjusting Rod Spring	19A	F			
Anti-Rattle Spring	17 & 17A	F			
Bearing Housing	19A	F			
Clutch Cover	17 & 17A	F			
Clutch Housing	17—18	F			
Clutch Housing Cover Plate	18	F			
Clutch Pedal	19	F			
Clutch Shaft	19	F			
Clutch Shaft Lever	19	F			
Clutch Unit	17 & 17A	F			
Draught Excluder	19	F			
Driven Plate	17 & 17A	F			
Gaiter	19	F			
Operating Fork	19	F			
Operating Lever	19	F			
Operating Shaft	19	F			
Pedal Pad	19A	F			
Pedal Stem and Plate	19A	F			
Pressure Plate	17 & 17A	F			
Release Bearing	17 & 17A	F			
Release Lever	17 & 17A	F			
Return Spring	19A	F			
Sealing Ring	19	F			
Spherical Bearings	19 & 19A	F			
Support Bracket	18	F			
Thrust Springs	17 & 17A	F			
GEARBOX ("S.H." SERIES)	20—22	G & H			
Breather Plug	21	G			
Casing	20	G			
Change-Speed Forks	20	G			
Change-Speed Lever	21	G			
Change-Speed Lever Bearing	21	G			
Change-Speed Lever Knob	21	G			
Constant Pinion	22	H			
Constant Pinion Oil Thrower	22	H			
Constant Pinion Bearing (Cage)	22	H			
Constant Pinion Shaft	22	H			
Constant Pinion Shaft Bearing	20	G			
Constant Pinion Shims	22	H			

INDEX

FOR ITEMS NOT INCORPORATED IN THIS CATALOGUE

Description.	Refer to Publication J.8. Page No. Plate.	Description.	Refer to Publication J.8. Page No. Plate.
GEARBOX ("J.L." SERIES)	25A—25C	FRONT SUSPENSION	29—31A M-N-P
Breather Plug	25B	Anti-Roll Bar	31 P
Casing	25A	Anti-Roll Bar Anchor Bracket	31A P
Change-Speed Forks	25B	Anti-Roll Bar Bearing	31 P
Change-Speed Lever	25B	Anti-Roll Bar Buffer	31A P
Change-Speed Lever Bearing	25B	Ball Joint (Upper)	30 N
Change-Speed Lever Knob	25B	Ball Pin (Lower)	30 N
Constant Pinion	25C	Brake-Drum	31 N
Constant Pinion Bearing (Cage)	25C	Front Brake Assembly	31
Constant Pinion Oil Thrower	25C	Front Shock Absorbers	31 N
Constant Pinion Shaft	25C	Hub	31 N
Constant Pinion Shaft Bearing	25A	Hub Bearings	31 N
Constant Wheel	25C	Lower Wishbone Levers	29 M
Countershaft	25C	Lower Wishbone Shaft... ..	29 M
Countershaft Gears	25C	Seal (Lower Wishbone Levers)	31 N
Countershaft Needle Rollers	25C	Seal (Stub Axle Carrier)	30 N
Countershaft Thrust Washers	25C	Shims (Wheel Camber)	29 M
Dipstick	25B	Shims (Wheel Castor)	30 N
Drain Plug	25A	Stub Axle Carrier	30 N
Front End Cover	25A	Stub Axle Shaft	31 N
Front End Cover Oil Seal	25A	Stub Axle Shaft Grease Retainer	31 N
Interlock Balls	25A	Steering Arms	31 N
Interlock Roller	25A	Torsion Bar	31A P
Mainshaft... ..	25C	Torsion Bar Adjusting Lever	31A P
Mainshaft Bearings	25A	Torsion Bar Flange	31A P
Mainshaft Flange	25B	Torsion Bar Trunion	31A P
Mainshaft Gears	25C	Upper Wishbone Levers	29 M
Mainshaft Needle Rollers	25C	Upper Wishbone Shaft... ..	29 M
Mainshaft Operating Sleeve	25C		
Mainshaft Synchro Shims	25C	ROAD WHEELS	32
Mainshaft Synchro Sleeve	25C	Badge for Wheel Disc	32
Mainshaft Synchro Springs	25C	Balance Weights	32
Rear End Cover	25A	Inner Tube	32
Rear End Cover Oil Seal	25A	Outer Cover	32
Reverse Gear	25C	Wheel Disc	32
Reverse Slipper	25C		
Reverse Spindle	25C	BRAKES	34C—34E AQ
Selectors	25A	Brake Drums	34E AQ
Speedometer Driven Gear	25A	Front Brake Assembly	34C AQ
Speedometer Driving Gear	25C	Front Brake Backplate	34C AQ
Striking Rods	25A	Front Brake Bridge Pipes	34C AQ
Top Cover	25B	Front Brake Shoes	34D AQ
		Front Brake Shoe Springs	34C AQ
		Front Wheel-Cylinders	34C AQ
		Front Wheel-Cylinder Gaskets	34C AQ
		Front Wheel-Cylinder Piston	34C AQ
		Front Wheel-Cylinder Seal	34C AQ
		Rear Brake Adjuster	34D AQ
		Rear Brake Assembly	34D AQ
		Rear Brake Backplate	34D AQ
		Rear Brake Shoes	34E AQ
		Rear Brake Shoe Springs	34D AQ
		Rear Wheel-Cylinders	34D AQ
		Rear Wheel-Cylinder Gaskets	34D AQ
		Rear Wheel-Cylinder Pistons	34D AQ
		Rear Wheel-Cylinder Seal	34D AQ
		BRAKE CONTROLS	39A—39D AR
		Bleeder Tube	39D
		Bleeder Wrench	39D
		Brake Pedal	39A AR
		Brake Pedal Bearing	39A AR
		Brake Pedal Draught Excluder	39A AR
		Brake Pedal Pad	39A AR
		Brake Pedal Return Spring	39A AR
		Brake Pedal Shaft	39A
		Brake Pedal Stem and Plate	39A AR
		Brake Pedal Support Bracket	39A AR
		Hydraulic Pipes (R.H. Drive cars)	39B—39C AR
		Hydraulic Pipes (L.H. Drive cars)	39C AR
		Master Cylinder... ..	39A AR
		Master Cylinder Adapters	39A AR
PROPELLER SHAFT	26 K		
Journal	26 K		
Needle Bearings	26 K		
Sliding End	26		
REAR AXLE (SALISBURY)	28C—28G XL		
Brake Drums	28D & 28F XL		
Crown Wheel and Pinion	28C & 28E XL		
Crown Wheel and Lock Strap	28C & 28E XL		
Differential Adjusting Shims	28C & 28E XL		
Differential Bearing (Diff. Case)	28C & 28E XL		
Differential Bearing (Inner End of Pinion)	28C & 28E XL		
Differential Bearing (Outer End of Pinion)	28C & 28E XL		
Differential Bolts	28C & 28E XL		
Differential Bolts Lock Plates	28C & 28E XL		
Differential Case	28C & 28F XL		
Differential Unit Pinion Mate Gears	28C & 28F XL		
Differential Unit Side Gears	28C & 28F XL		
Hub	28D & 28F XL		
Hub Bearings	28D & 28F XL		
Hub Bearings Oil Seal	28D & 28F XL		
Hub Bearing Shims	28D & 28F XL		
Oil Drain Plug	28C & 28E XL		
Oil Filler Plug	28C & 28E XL		
Pinion Companion Flange	28C & 28F XL		
Pinion Oil Seal	28D & 28E XL		
Rear Axle Casing	28C & 28E XL		
Rear Axle Shafts	28D & 28F XL		
Rear Axle Shafts Oil Seal	28D & 28F XL		
Rear Axle Shafts Spacer	28C & 28E XL		

INDEX

FOR ITEMS NOT INCORPORATED IN THIS CATALOGUE

Description.	Refer to Publication J.8.		Description.	Refer to Publication J.8.	
	Page No.	Plate.		Page No.	Plate.
BRAKE CONTROLS—(continued)			CHASSIS ...	42—44C	T
Master Cylinder Adapter Seals ...	39A	AR	By-Pass Water Hose ...	44C	T
Master Cylinder Banjos ...	39B	AR	Chassis Frame ...	42	T
Master Cylinder Boot ...	39A	AR	Exhaust System ...	44—44A	T
Master Cylinder Gaskets ...	39B	AR	Jack Socket Plug ...	42	T
Master Cylinder Pistons ...	39A	AR	Petrol Pipes ...	44B	T
Master Cylinder Piston Seals ...	39A	AR	Petrol Tank ...	44A	T
Master Cylinder Shield... ..	39B	AR	Petrol Tank Element ...	44A	T
Master Cylinder Springs ...	39A	AR	Radiator Block ...	44B	T
Master Cylinder Stop ...	39A	AR	Radiator Drain Tap ...	44B	T
Master Cylinder Valve ...	39A	AR	Radiator Filler Cap ...	44B	T
Master Cylinder Valve Seals ...	39A	AR	Radiator Thermostat ...	44C	T
Supply Tank ...	39B	AR	Radiator Tie Rods ...	44B	T
			Radiator Water Hoses ...	44C	T
STEERING ...	40—41A	S	Rebound Buffers ...	43	T
Connecting Tubes ...	41—41A	S	Rear Axle Rebound Strap ...	43	T
Connecting Tube Ball Joints ...	41	S	Rear Road Spring ...	42	T
Connecting Tube Seals ...	41—41A	S	Rear Road Spring Bush ...	42	T
Drop Arm ...	40	S	Rear Road Spring Gaiters ...	43	T
End Plate Oil Seal ...	40	S	Rear Road Spring Shackle ...	42	T
Idle Lever ...	41	S	Rear Road Spring "U" Bolt ...	42	T
Idle Lever Filler Plug ...	41	S	Shock Absorbers ...	43	T
Idle Lever Shaft ...	41	S	Spare Wheel Tray ...	44C	T
Inner Column ...	40	S			
Inner Column Main Nut ...	40	S	TOOL KIT ...	91	
Inner Column Main Nut Balls ...	40	S			
Outer Column ...	40	S	STANDARD PARTS	96—100	
Rocker-Shaft ...	40	S	Bolts ...	96	
Rocker-Shaft Oil Seal ...	40	S	Clevis Pins ...	100	
Steering Box ...	40	S	Coach Bolts ...	97	
Steering Box Balls ...	40	S	Dowels ...	100	
Steering Column Control ...	41A	S	Nuts ...	98	
Steering Unit ...	40	S	Rivets ...	100	
Steering Wheel ...	41A	S	Setscrews ...	97—98	
Track Rod ...	41	S	Split Pins ...	100	
Track Rod Ends ...	41	S	Washers ...	99	
Track Rod End Seals ...	41	S	Woodscrews ...	99	
Trunnion Bracket ...	40	S			

BODY AND FITTINGS

Part No.	Description	Plate No.	No. per Unit	Remarks
BD.9434	BODY SHELL ASSEMBLY (COMPLETE WITH DOORS AND BOOT LID BUT LESS TRIMMINGS)		1	FOR L.H. DRIVE CARS ONLY
BD.9435	BODY SHELL ASSEMBLY (COMPLETE WITH DOORS AND BOOT LID BUT LESS TRIMMINGS)	F.1	1	FOR R.H. DRIVE CARS ONLY
BD.5746	Sill Assembly, for L.H. Doors		1	
BD.5747	Sill Assembly, for R.H. Doors		1	
BD.7723	Bracket, mounting Sills		4	
BD.4546	Angle, fixing Sills to Dash Side		2	
BD.5745	Angle, Sealing, at front Diaphragm		2	
BD.7990	Face-Panel Assembly, for L.H. Shut Pillar		1	
BD.7991	Face-Panel Assembly, for R.H. Shut Pillar		1	
BD.4116	Stiffener, for Shut Pillars		2	
BD.4112	Diaphragm, Inner, for L.H. Shut Pillar		1	
BD.4113	Diaphragm, Inner, for R.H. Shut Pillar		1	
BD.4216	Diaphragm, Outer, for L.H. Shut Pillar		2	
BD.4217	Diaphragm, Outer, for R.H. Shut Pillar		2	
BD.4166	Plate, Closing, for L.H. Shut Pillar		1	
BD.4167	Plate, Closing, for R.H. Shut Pillar		1	
BD.4164	Bracket, locating L.H. Shut Pillar		1	
BD.4165	Bracket, locating R.H. Shut Pillar		1	
BD.6100	Angle, fixing L.H. Shut Pillar		1	
BD.6101	Angle, fixing R.H. Shut Pillar		1	
BD.5750	Plate, Tapped, for Door Lock Strikers		2	
BD.5031	Retainer, for Tappet Plate on L.H. Door		1	
BD.5032	Retainer, for Tappet Plate on R.H. Door		1	
2310/1	Striker, for L.H. Door Lock		1	
2311/1	Striker, for R.H. Door Lock		1	
BD.443/1	Packing (20swg.), for Strikers		As req'd.	
BD.443/2	Packing (14swg.), for Strikers		As req'd.	
BD.1491/1	Screw, Set, securing Strikers		8	
BD.5000	Dash Assembly, complete		1	FOR L.H. DRIVE CARS ONLY
BD.5001	Dash Assembly, complete		1	FOR R.H. DRIVE CARS ONLY
BD.5002	Structure Assembly, for Dash Sides		2	
BD.5099	Panel Assembly, Outer Main, for Dash		1	FOR L.H. DRIVE CARS ONLY
BD.6004	Panel Assembly, Outer Main, for Dash		1	FOR R.H. DRIVE CARS ONLY
BD.5098	Tie-Beam Assembly		1	
BD.6154	Plate, Cover, on Dash, for Steering Column		1	
814	Seal (Rubber) on Dash, for Steering Column		1	
BD.6263	Bracket, Support, for Steering Column		1	FOR L.H. DRIVE CARS ONLY
BD.7708	Bracket, Support, for Steering Column		1	FOR R.H. DRIVE CARS ONLY
BD.5004	Panel Assembly, Cross Beam		1	
BD.4132	Panel, Rear Support Beam, L.H.		1	
BD.4133	Panel, Rear Support Beam, R.H.		1	
BD.5020	Diaphragm, for L.H. Facia Panel		1	
BD.5021	Diaphragm, for R.H. Facia Panel		1	
BD.4753	Box Assembly, for Heater (front portion)		1	
BD.4754/1	Box, for Heater (rear portion)		1	
BD.6239	Plate, for Bonnet Lock Control		1	
C.3881	Bracket, for Bonnet Lock Control		1	
BD.4549	Angle, for attachment of Wing Valances		2	
BD.4620	Angle, for attachment of Wing Valance Extensions		2	
BD.5096	Front-End Assembly		1	
BD.5097	Dash Top Assembly		1	
BD.8741	Wing Assembly, L.H. Front (complete with Lamp Containers and Vent aperture)		1	
BD.8742	Wing Assembly, R.H. Front (complete with Lamp Containers and Vent aperture)		1	
BD.5183	Ventilator Assembly in L.H. Front Wing		1	
BD.5184	Ventilator Assembly in R.H. Front Wing		1	
BD.4144	Valance, along L.H. Front Wing		1	
BD.6134	Valance, along R.H. Front Wing		1	
BD.4551	Valance, at forward end of L.H. Front Wing		1	
BD.7951	Valance, at forward end of R.H. Front Wing		1	
BD.4553	Diaphragm, for L.H. Wing Valance		1	
BD.4554	Diaphragm, for R.H. Wing Valance		1	
BD.4559	Stiffener, for L.H. Wing Valance		1	
BD.4609	Stiffener, for R.H. Wing Valance		1	
BD.6197/1	Support, for L.H. Wing Valance		1	
BD.6198/1	Support, for R.H. Wing Valance		1	
BD.4644	Butt-Strap, for Wing Valances		2	

BODY AND FITTINGS

Part No.	Description	Plate No.	No. per Unit	Remarks
BODY SHELL ASSEMBLY—continued				
BD.3029	Washer, Insulating, for Wing Valance Supports		2	
BD.6018	Extension Assembly, for L.H. Wing Valance		1	
BD.6019	Extension Assembly, for R.H. Wing Valance		1	
BD.7834	Stiffener, for L.H. Extension		1	
BD.7835	Stiffener, for R.H. Extension		1	
BD.4469	Tie-Bar, between Front Wings		1	
NN.137/L	Nut on Tie Bar		4	
FW.106/T	Washer under Nuts		2	
BD.4630	Angle, Sealing, for L.H. Wing Valance		1	
BD.4631	Angle, Sealing, for R.H. Wing Valance		1	
BD.4670	Felt, for Sealing Angles		2	
BD.4218	Diaphragm, between L.H. Front Wing and Dash		1	
BD.4219	Diaphragm, between R.H. Front Wing and Dash		1	
BD.3143	Felt (1"×33") between Diaphragms and Front Wings		2	
BD.3143	Felt (1"×16") for Wing Valance Extensions		2	
BD.3143	Felt (1"×30") for Wing Valance Extensions		2	
BD.3551	Steady, for L.H. Front Wing		1	
BD.3552	Steady, for R.H. Front Wing		1	
BD.3553	Bracket, for attachment of Front Wing Steadies		2	
BD.2561	Motif, at top of Headlamp Containers		2	
BD.4632	Plate, Sealing, for bottom of Radiator		1	FOR L.H. DRIVE CARS ONLY
BD.6818	Plate, Sealing, for bottom of Radiator		1	FOR R.H. DRIVE CARS ONLY
BD.8022	Panel Assembly, Screen Aperture		1	
BD.7948	Surround Assembly, Windscreen		1	
BD.7986	Drip-Bead, at L.H. side of Screen Pillar		1	
BD.7987	Drip-Bead, at R.H. side of Screen Pillar		1	
BD.8015	Plate, Tapped for fixing of Hood Clamps at Screen Pillars		2	
BD.8017	Retainer, for Tappet Plates on Screen Pillars		2	
BD.8016	Plate, Tapped, for fixing of Hood Clamps in centre of Screen Surround		1	
BD.8018	Retainer, for Tapped Plate in centre		1	
BD.8058	Retainer, for Seal on Screen Pillars		2	
BD.8023	Rear End Assembly		1	
BD.8723	Tonneau Assembly		1	
BD.6769	Parcel Tray Assembly		1	
BD.4185	Cross Member Assembly for Tonneau		1	
BD.4191	Diaphragm, at L.H. corner of Boot		1	
BD.4192	Diaphragm, at R.H. corner of Boot		1	
BD.4190	Gutter Assembly for Boot Lid aperture		1	
BD.6705	Panel, for L.H. Rear Quarter		1	
BD.6706	Panel, for R.H. Rear Quarter		1	
BD.6764	Bracket Assembly, for L.H. Rear Quarter Panel		1	
BD.6765	Bracket Assembly, for R.H. Rear Quarter Panel		1	
BD.8451	Lining Panel, for L.H. Rear Quarter		1	
BD.8452	Lining Panel, for R.H. Rear Quarter		1	
BD.8462	Retainer, for Seal at L.H. Rear Quarter		1	
BD.8463	Retainer, for Seal at R.H. Rear Quarter		1	
BD.6707	Wheel Arch Assembly, L.H.		1	
BD.6708	Wheel Arch Assembly, R.H.		1	
BD.8681	Clip for Electrical Wiring		1	
BD.5028	Face Plate, for L.H. Hinge Pillar		1	
BD.5029	Face Plate, for R.H. Hinge Pillar		1	
BD.4085	Container Assembly for Battery		1	
BD.7778	Tray, for Spare Wheel		1	
BD.4625	Lid Assembly for Luggage Boot		1	
BD.8029	Door Assembly, L.H.		1	
BD.8030	Door Assembly, R.H.		1	
BD.4363	Box Assembly, Petrol Filler		1	
BD.4357	Door Assembly for Petrol Filler Box		1	
BD.4412	Bonnet Assembly		1	
BD.4312	Wing Assembly, L.H. Rear		1	
BD.4313	Wing Assembly, R.H. Rear		1	

BODY AND FITTINGS

Part No.	Description	Plate No.	No. per Unit	Remarks
SD.1006	BODY MOUNTING DETAILS		1	
BD.7856	Pad, between Body and Dash		2	
NS.237/14D	Screw, Set, mounting Body to Dash		2	
FW.106/T	Washer, Plain, on Setscrews		2	
C.726	Washer, Shakeproof, on Setscrews		2	
BD.5981	Pad, between Body and Sills		4	
FS.106/22D	Screw, Set, mounting Body to Sills		6	
FW.106/T	Washer, Plain, on Setscrews		6	
BD.541/14	Washer, Special, on Setscrews		6	
C.5851/3	Nut, Self-Lock, on Setscrews		6	
BD.7974	Pad, between rear end of Body and Side Member		2	
BD.7857	Pad, between rear end of Body and Side Member		4	
FW.106/T	Washer, Plain, for Body Mounting		2	
BD.2070	Washer (Fibre) for Body Mounting		8	
BD.541/14	Washer, Special, for Body Mounting		10	
NB.137/31D	Bolt, Body Mounting		2	
NB.137/32D	Bolt, Body Mounting		2	
FW.105/T	Washer, Plain, on Bolts		4	
C.5851/2	Nut, Self-Locking, on Bolts		4	
BD.3743	Felt, 22" x 12"		2	
BD.3788	Felt, 3" x 45"		2	
BD.3143	Felt, 1" x 18"		2	
BD.4700	Felt, 2" x 36"		2	
FS.105/8D	Screw, Set, Body Mounting		2	
BD.8075	Washer, Special, at rear end		6	
8741 BD. 8741	FRONT WING ASSEMBLY, L.H. (COMPLETE WITH LAMP CONTAINERS)	F.2	1	
8742 BD. 8742	FRONT WING ASSEMBLY, R.H. (COMPLETE WITH LAMP CONTAINERS)		1	
BD.8733	Container for Headlamp on L.H. Front Wing		1	
BD.8734	Container for Headlamp on R.H. Front Wing		1	
C.7284	Container for Sidelamps		2	
BD.2561	Motif, on Headlamp Containers	F.3	2	
BD.2563/1	Screw, Set (Special), securing Motifs		4	
FW.105/T	Washer, Plain, for Motifs		8	
AW.104/T	Washer, Plain, on Setscrews		4	
BD.9266/1	Stud, for fixing of Motif to Headlamps		4	
FW.105/T	Washer, Plain, on Studs		8	
AN.104/L	Nut on Studs		4	
AW.104/T	Washer, Plain, under Nuts		4	
				Fitted from Chassis No. 667001 to 667180 677001 to 678117 Fitted to Chassis No. 667181 and subs. 678118 and subs.
BD.4144	VALANCE ALONG BACK OF L.H. FRONT WING	F.4	1	
BD.6134	VALANCE ALONG BACK OF R.H. FRONT WING		1	

BODY AND FITTINGS

Part No.	Description	Plate No.	No. per Unit	Remarks
BD.455I	VALANCE AT FORWARD END OF L.H. FRONT WING	F.5	1	
BD.795I	VALANCE AT FORWARD END OF R.H. FRONT WING		1	
BD.6018	EXTENSION AT REAR OF L.H. FRONT WING VALANCE	F.6	1	
BD.6019	EXTENSION AT REAR OF R.H. FRONT WING VALANCE		1	
BD.6197/1	SUPPORT FOR L.H. FRONT WING VALANCE	F.7	1	
BD.6198/1	SUPPORT FOR R.H. FRONT WING VALANCE		1	
BD.4218	DIAPHRAGM BETWEEN L.H. FRONT WING AND DASH	F.8	1	
BD.4219	DIAPHRAGM BETWEEN R.H. FRONT WING AND DASH		1	
FS.104/4D	Screw, Set, securing Forward Wing Valance		4	
FW.104/T	Washer, Plain, on Setscrews		4	
FN.104/L	Nut on Setscrews		4	
C.724	Washer, Shakeproof, under Nuts		4	
FS.104/4D	Screw, Set, securing Extensions		18	
FS.104/6D	Screw, Set, securing Extensions		2	
FN.104/L	Nut, on Setscrews		20	
C.724	Washer, Shakeproof, under Nuts		20	
BD.3143	Felt, 1" x 16", for Extensions		2	
BD.3143	Felt, 1" x 30", for Extensions		2	

BODY AND FITTINGS

Part No.	Description	Plate No.	No. per Unit	Remarks
BD.3551	STEADY FOR L.H. FRONT WING		1	
BD.3552	STEADY FOR R.H. FRONT WING		1	
FS.104/5D FW.104/T FN.104/L C.724	Screw, Set, securing Front Wing Steadies Washer, Plain, on Setscrews Nut, on Setscrews Washer, Shakeproof, under Nuts		4 8 4 4	
BD.3553 AS.102/4D AW.102/T AN.102/L C.723	Bracket, Attachment, for Front Wing Steadies Screw, Set, securing Attachment Brackets Washer, Plain, on Setscrews Nut, on Setscrews Washer, Shakeproof, under Nuts		2 6 6 6 6	
BD.4469	TIE ROD BETWEEN FRONT WINGS (20$\frac{1}{8}$" LONG)		1	
NN.137/L FW.106/T	Nut, securing Tie Rod Washer, Plain, under Nuts		4 2	
BD.5183	VENTILATOR BOX ASSEMBLY IN L.H. FRONT WING	F.9	1	
BD.5184	VENTILATOR BOX ASSEMBLY IN R.H. FRONT WING		1	
NS.513/4H NN.131/L C.721	Screw, Set, securing Ventilator Boxes to Wings Nut, on Setscrews Washer, Shakeproof, under Nuts		12 12 12	
BD.5188	DOOR ASSEMBLY FOR WING VENTILATORS	F.10	2	
AN.102/L AW.102/T C.723	Nut, securing Doors to Ventilator Boxes Washer, Plain, under Nuts Washer, Shakeproof, under Nuts		2 6 6	
BD.5190	SEAL FOR VENTILATOR DOORS	F.11	2	

BODY AND FITTINGS

Part No.	Description	Plate No.	No. per Unit	Remarks
BD.5189	GAUZE ON VENTILATOR DOORS	F.12	2	
BD.711/6	Screw, Self-Tapping, securing Gauze		4	
BD.5127	HINGE ASSEMBLY FOR L.H. VENTILATOR		1	
BD.5128	HINGE ASSEMBLY FOR R.H. VENTILATOR		1	
BD.5176	Spring, for Plunger, Tensioning Doors	F.13	2	
BD.5125	Sleeve, holding Spring	F.14	2	
C.3571	Slug, in Plunger, adjusting tension on Spring	F.15	As req'd.	
L.104/10U	Pin, Split, securing Sleeve	F.16	2	
BD.5123	Plunger, inside Sleeve	F.17	2	
R.303/5V	Rivet, securing Plunger	F.18	2	
C.3550	Washer (Brass), at each side of Plunger	F.19	4	
BD.650	Loose-Head, for end of Rivet	F.20	2	
BD.3712/1	Plate, Adjusting, between Hinge and Door (.064" thick)	F.21	As req'd.	} CHOOSE ADJUSTING PLATE OF DESIRED THICKNESS
BD.3712/2	Plate, Adjusting, between Hinge and Door (.048" thick)	F.21	As req'd.	
BD.3712/3	Plate, Adjusting, between Hinge and Door (.036" thick)	F.21	As req'd.	
BD.3712/4	Plate, Adjusting, between Hinge and Door (.022" thick)	F.21	As req'd.	
AS.502/3H	Screw, Set, securing Hinges to Vent Boxes		6	
AN.102/L	Nut, on Setscrews		6	
AG.102/T	Washer, Spring, under Nuts		6	
BD.4412	BONNET ASSEMBLY	F.22	1	
FS.104/4D	Screw, Set, securing Bonnet to Hinges		8	
FW.104/T	Washer, Plain, on Setscrews		8	
C.724	Washer, Shakeproof, on Setscrews		8	
BD.4616	Buffer, Bonnet Rest, on Front Wing Flanges	F.23	6	
BD.4379	HINGE ASSEMBLY FOR BONNET	F.24	2	
FS.104/4D	Screw, Set, securing Hinges to Dash		8	
FW.104/T	Washer, Plain, on Setscrews		8	
C.724	Washer, Shakeproof, on Setscrews		8	

BODY AND FITTINGS

Part No.	Description	Plate No.	No. per Unit	Remarks
BD.3270	PROP ASSEMBLY, HOLDING BONNET IN "OPEN" POSITION	F.25	1	
BD.3273	Bracket , anchoring Prop to Bonnet		1	
BD.3333	Plate , Tapped, for fixing of Bracket to Bonnet		1	
FS.104/4D	Screw , Set, securing Bracket		2	
C.724	Washer , Shakeproof, on Setscrews		2	
BD.3272	Pin , hingeing Bonnet Prop to Anchor Bracket		1	
FW.105/T	Washer , Plain, on Hinge Pin		1	
L.102/6U	Pin , Split, through Hinge Pin		1	
BD.1708/I	Washer , Spring, on Hinge Pin		1	
BD.4834	Bracket and Clip Assembly , housing Prop when not in use	F.26	1	
AS.402/4H	Screw , Set, securing Bracket Assembly		2	
AN.102/L	Nut , on Setscrews		2	
C.723	Washer , Shakeproof, under Nuts		2	
BD.3271	SOCKET, ON WING VALANCE, FOR BONNET PROP	F.27	1	
FS.104/4D	Screw , Set, securing Socket to Wing Valance		2	
FN.104/L	Nut , on Setscrews		2	
C.724	Washer , Shakeproof, under Nuts		2	
BD.2950	CATCH ASSEMBLY FOR BONNET FASTENING	F.28	1	
BD.2952	Plate , Guide, for Bonnet Catch	F.29	1	
NS.125/4D	Screw , Set, securing Bonnet Catch		3	
C.724	Washer , Shakeproof, on Setscrews		3	
BD.2951	HOOK AND STRIKER ASSEMBLY FOR BONNET CATCH	F.30	1	
BD.5106	Bracket Assembly , mounting Hook and Striker	F.31	1	
FS.104/4D	Screw , Set, securing Bracket and Striker		9	
FW.104/T	Washer , Plain, on Setscrews		4	
FN.104/L	Nut , on Setscrews		9	
C.724	Washer , Shakeproof, under Nuts		9	
C.3834	Plate , mounting Bonnet Lock		1	
C.5840	Rubber , for Bonnet Lock Mounting Plate		1	
BD.2068	Pad (Kautex) , for Mounting Plate		3	
BD.2954	CONTROL WIRE, OPERATING BON- NET RELEASE		1	
C.2711	Clip , securing Control Wire		1	
NS.131/5D	Screw , Set, securing Clip		1	
NN.131/L	Nut , on Setscrew		1	
C.725	Washer , Shakeproof, under Nut		1	
C.2735	Clip , securing Control Wire		2	

BODY AND FITTINGS

Part No.	Description	Plate No.	No. per Unit	Remarks
BD.3286	BADGE ON BONNET	F.32	1	
AW.102/T AN.102/L C.723	Washer, Plain, on Stud Nut, on Stud, securing Badge Washer, Shakeproof, under Nut		1 1 1	
BD.2877	RADIATOR GRILLE ASSEMBLY ON BONNET	F.33	1	
BD.2877/1—2	Frame, Outer		1	
BD.2877/3	Vane, Centre		1	
BD.2877/4	Vane, No. 1, L.H.		1	
BD.2877/5	Vane, No. 1, R.H.		1	
BD.2877/6	Vane, No. 2, L.H.		1	
BD.2877/7	Vane, No. 2, R.H.		1	
BD.2877/8	Vane, No. 3, L.H.		1	
BD.2877/9	Vane, No. 3, R.H.		1	
BD.2877/10	Vane, No. 4, L.H.		1	
BD.2877/11	Vane, No. 4, R.H.		1	
BD.2877/12	Vane, No. 5, L.H.		1	
BD.2877/13	Vane, No. 5, R.H.		1	
BD.2877/14	Vane, No. 6, L.H.		1	
BD.2877/15	Vane, No. 6, R.H.		1	
AW.102/T AN.102/L C.723	Washer, Plain, on Studs in Radiator Grille Nut, securing Radiator Grille to Bonnet Washer, Shakeproof, under Nuts		8 8 8	
BD.7967	WINDSCREEN GLASS		2	
BD.7960	Seal Assembly, for Screen Glasses	F.34	1	
BD.7961	Embellisher, for L.H. Screen Glass	F.35	1	
BD.7962	Embellisher, for R.H. Screen Glass	F.36	1	
BD.7963	Embellisher, Outer, at centre of Screen Glasses	F.37	1	
BD.7964	Embellisher, Inner, at centre of Screen Glasses	F.38	1	
BD.2855	FRONT BUMPER BAR	F.39	2	
C.4202/3 C.3088	Nut, securing Front Bumpers to Spring Bars Washer, Special, for fixing of Front Bumpers		6 2	

BODY AND FITTINGS

Part No.	Description	Plate No.	No. per Unit	Remarks
C.3695	SPRING BAR, MOUNTING FRONT BUMPERS	F.40	2	
NB.150/22D	Bolt , securing Spring Bars to Brackets		2	
NB.150/10D	Bolt , securing Spring Bars to Supports		2	
FW.208/T	Washer , Plain, on Bolts		2	
C.728	Washer , Shakeproof, on Bolts		2	
C.5819	Nut , Dome, securing Spring Bars to Extensions	F.41	4	
C.741	Washer , Shakeproof, under Nuts	F.42	4	
C.3943	SCREWED EXTENSION FOR FIXING OF SPRING BARS	F.43	4	
C.3945	Washer , Spacing, on Screwed Extensions	F.44	4	
C.3849	Washer (Rubber) at mounting holes (each side of Wings)	F.45	8	
C.3225	Washer , Wing Clamping (behind Wings)	F.46	4	
C.3830	Piece , Distance, behind inner Spacing Washers	F.47	2	
C.793	Washer , Plain, behind Clamping Washers	F.48	8	
C.3831	SUPPORT MEMBER, BEHIND FRONT WINGS, FOR BUMPERS	F.49	1	
C.3833	STRUT AT L.H. SIDE OF BUMPER SUPPORT	F.50	1	
C.3832	STRUT AT R.H. SIDE OF BUMPER SUPPORT		1	
NB.137/7D	Bolt , securing Support Struts to Chassis Frame		2	
C.726	Washer , Shakeproof, on Bolts		2	

BODY AND FITTINGS

Part No.	Description	Plate No.	No. per Unit	Remarks
BD.2856/1	REAR OVER-RIDER, R.H.	F.51	1	
BD.2856/2	REAR OVER-RIDER, L.H.	F.52	1	
C.5829	Nut, Dome, securing Rear Over-Riders to Spring Bars	F.53	4	
FW.106/T	Washer, Plain, on Over-Rider Studs		2	
C.726	Washer, Shakeproof, under Dome Nuts		4	
C.5807	SPRING BAR, MOUNTING REAR OVER-RIDERS	F.54	2	
C.3778	Piece, Distance, between Spring Bars and Support Brackets	F.55	2	
C.2869	Grommet (Rubber) on Distance Pieces	F.56	2	
NB.137/7D	Bolt, securing Spring Bars to Chassis Frame (at centre)		2	
NB.137/31D	Bolt, securing Spring Bars to Chassis Frame (at each end)		2	
NB.137/32D	Bolt, securing Spring Bars to Chassis Frame (at each end)		2	
C.3968/3	Nut, Self-Locking, on Bolts		4	
BD.7763	SUPPORT BRACKET FOR L.H. REAR OVER-RIDER	F.57	1	
BD.7764	SUPPORT BRACKET FOR R.H. REAR OVER-RIDER	F.58	1	
NB.150/41D	Bolt, through Support Brackets, securing Spring Bars		2	
C.5819	Nut, Dome, on Bolts		2	
C.728	Washer, Shakeproof, under Nuts		2	
BD.6079	FLOOR PANEL ASSEMBLY, L.H.		1	} FITTED TO L.H. DRIVE CARS ONLY
BD.6080	FLOOR PANEL ASSEMBLY, R.H.		1	

BODY AND FITTINGS

Part No.	Description	Plate No.	No. per Unit	Remarks
BD.6081	FLOOR PANEL ASSEMBLY, L.H.	F.59	1	} FITTED TO R.H. DRIVE CARS ONLY
BD.6082	FLOOR PANEL ASSEMBLY, R.H.	F.60	1	
BD.3746	Asbestos, under L.H. Floor Panel		1	
BD.3755	Plate, fixing Asbestos under Floor Panel		1	
BD.524/7	Rivet, Bifurcated, securing Plate and Asbestos		13	
BD.3037	Plate, Cover, for Rear Jack aperture	F.61	2	
BD.6113	Packing, on Floor, for Seat Slides		4	
BD.6244	Plate, Tapped, on Floor, for attachment of Seat Slides		4	
BD.1494/6	Screw, Set, securing Floor Panels to Sills		10	
BD.6255/1	Washer, Special, on Setscrews		10	
BD.1493/2	Screw, Set, securing Floor Panels to Battery Container, Tunnel and Dash		10	
BD.542/3	Washer, Special, on Setscrews		10	
BD.6114	FRONT FLOORBOARD	F.62	2	
BD.1494/5	Screw, Set, securing Floorboards		18	
BD.6255/1	Washer, Special, on Setscrews		18	
BD.6116	Packing, Side, for Floorboards		2	
BD.6117	Packing, Front, for Floorboards		2	
BD.6256	GEARBOX COVER ASSEMBLY	F.63	1	
BD.3777	Cover, Inspection, on Gearbox Cover, for access to Gearbox Dipstick		1	
BD.6118	PROPELLER SHAFT TUNNEL ASSEMBLY	F.64	1	
FS.404/6H	Screw, Set, securing Propeller Shaft Tunnel to Frame		4	
FW.104/T	Washer, Plain, on Setscrews		4	
BD.1493/2	Screw, Set, securing Propeller Shaft Tunnel to Battery Container		4	
BD.542/3	Washer, Special, on Setscrews		4	
C.724	Washer, Shakeproof, on Setscrews		8	
BD.3143	Felt (1"×15"), between Tunnel and Battery Container		1	
BD.4702	Felt (1"×48"), between Floor Panels and Sills		2	
BD.4703	Felt (1"×18"), between Floor Panels and Dash		2	
BD.4704	Felt (1"×30"), between Floor Panels and Tunnel		2	
BD.4705	Felt (1"×21"), between Floor Panels and Battery Container		2	
BD.6264	Piece, Distance, for Propeller Shaft Tunnel		2	

BODY AND FITTINGS

Part No.	Description	Plate No.	No. per Unit	Remarks
CARPETS AND FELTS				
BD.6460	Carpet for L.H. Floor			} FITTED TO R.H. DRIVE CARS ONLY } FITTED TO L.H. DRIVE CARS ONLY
BD.6461	Carpet for R.H. Floor			
BD.8299	Carpet for L.H. Dash			
BD.8300	Carpet for R.H. Dash			
BD.6462	Carpet for L.H. Dash			
BD.6463	Carpet for R.H. Dash			
BD.4596	Carpet for Gearbox Cover			
BD.3862	Carpet for Luggage Compartment Floor			
BD.6468	Felt for L.H. Floor (45 $\frac{1}{2}$ " x 20")			
BD.6469	Felt for R.H. Floor (45 $\frac{1}{2}$ " x 20")			
BD.6470	Felt for L.H. Dash (16" x 10 $\frac{1}{2}$ ")			
BD.6471	Felt for R.H. Dash (16" x 10 $\frac{1}{2}$ ")			
BD.4596/6	Felt for Gearbox Cover (32" x 30")			
BD.4596/7	Mutocel for Gearbox Cover (32" x 30")			
BD.6464	Trim-Fillet at front of L.H. Sill			
BD.6465	Trim-Fillet at front of R.H. Sill			
BD.8488	Trim-Fillet at rear of L.H. Sill			
BD.8489	Trim-Fillet at rear of R.H. Sill			
BD.540/3	Screw, Self-Tapping, securing Fillets		14	
BD.1286	Fastener, "Durable Dot" for Carpets		22	
BD.1814/2	Rivet, Pop, securing Fasteners to Scuttle		14	
BD.540/1	Screw, Self-Tapping, securing Fasteners to Floor		4	
M.104/4R	Screw, Wood, securing Fasteners to Luggage Compartment Floor		4	
BD.3834	Fastener, "Durable Dot" (Eyelet type)		1	
BD.3866	GAUNTLET FOR CHANGE-SPEED LEVER		1	
BD.3867	GAUNTLET FOR HANDBRAKE LEVER		1	
BD.4876	Retainer for Handbrake Lever Gauntlet		1	
BD.524/8	Rivet, Bifurcated, securing Retainer to Gauntlet		6	
BD.538/5	Screw, Self-Tapping, securing Retainer to Floor		4	
BD.3861	MOQUETTE AROUND DIPPER SWITCH		1	

BODY AND FITTINGS

Part No.	Description	Plate No.	No. per Unit	Remarks
BD.6724	HOODSTICKS ASSEMBLY	F.65	1	
BD.6744	Pillar Assembly, Main Head, L.H.		1	
BD.6745	Pillar Assembly, Main Head, R.H.		1	
BD.8009	Bolt, Special, for Main Head Pillars		2	
BD.6761	Hinge Assembly, Lower		2	
BD.6752	Insert (Wood) in L.H. Main Head Pillar		1	
BD.6753	Insert (Wood) in R.H. Main Head Pillar		1	
BD.6738	Panel, for L.H. Head Pillar		1	
BD.6739	Panel, for R.H. Head Pillar		1	
BD.8061	Retainer, for Seal, L.H. Head Pillar		1	
BD.8062	Retainer, for Seal, R.H. Head Pillar		1	
BD.8053	Tacking-Block, Upper, for Head Pillar		2	
BD.8054	Tacking-Block, Lower, for Head Pillar		2	
BD.6710	Cantrail Assembly, L.H.		1	
BD.6711	Cantrail Assembly, R.H.		1	
BD.6721/1	Drip-Bead, along L.H. Cantrail		1	
BD.6721/2	Drip-Bead, along R.H. Cantrail		1	
BD.8100	Retainer, for Seal on L.H. Cantrail		1	
BD.8101	Retainer, for Seal on R.H. Cantrail		1	
BD.8006	Bolt, Special, securing Link to Cantrail		2	
BD.8007	Bolt, Special, securing Link to Cantrail		2	
BD.8008	Bolt, Special, securing Link to Pillar		2	
BD.8012	Piece, Distance, Link to Cantrail		2	
BD.6743	Piece, Distance, Control Link		2	
BD.8010	Rivet, Shouldered, Link to Pillar		2	
BD.6740	Hoodstick, No. 3		1	
BD.6741	Hoodstick, No. 4 (" D " section tube)		1	
BD.6742	Hoodstick, No. 4 (Laminated Bend)		1	
BD.8011	Piece, Distance, for No. 4 Hoodsticks		2	
BD.8043	Front Rail Assembly		1	
BD.8532	Buffer (Rubber) on Cantrail, forward of No. 4 Hoodstick		2	
NS.319/5H	Screw, Set, securing Buffers		2	
AW.102/T	Washer, Plain, on Setscrews		2	
BD.8534	Nut, Square, on Setscrews		2	
C.723/A	Washer, Shakeproof, under Nuts		2	
BD.8591	Spring, Tension, between No. 4 Hoodstick and Link		2	
BD.8604	Sleeve, over Tension Springs		2	
BD.4814/3	Rubber, Sealing, along Top of Canopy Rail (45" long)	F.66	1	
BD.7985	Finisher Assembly, for Screen Top Rail		1	
BD.3823	Webbing, across Hoodsticks (2' x 66")		2	
BD.8044	TOGGLE CLAMP ASSEMBLY SECURING HOOD AT L.H. SIDE	F.67	1	
BD.8045	TOGGLE CLAMP ASSEMBLY SECURING HOOD AT R.H. SIDE	F.68	1	
BD.4863/1	Screw, Set, securing Side Toggle Clamps		6	

BODY AND FITTINGS

Part No.	Description	Plate No.	No. per Unit	Remarks
BD.8046	TOGGLE CLAMP ASSEMBLY SECURING HOOD AT CENTRE	F.69	1	
BD.4863/1	Screw, Set, securing Centre Toggle Clamp		2	
BD.6799	HOOK ON CANOPY RAIL, FOR TOGGLE CLAMPS	F.70	3	
BD.8079/2	Screw, Set (Special) securing Hooks		3	
BD.6796	MOUNTING PLATE FOR CENTRE HOOK	F.71	1	
BD.6797	MOUNTING PLATE FOR SIDE HOOKS	F.72	2	
BD.4863/4 BD.8687 BD.8449	Screw, Set, securing Mounting Plates Packing, for Centre Hook Mounting Plate Packing, for Side Hook Mounting Plates		10 As req'd. As req'd.	
BD.8507	HOODCLOTH ASSEMBLY (COMPLETE WITH BACK CURTAIN AND ZIP FASTENER)		1	
BD.5549	Fastener, "Zip" for Back Curtain (43" long)		1	PLEASE STATE COLOUR WHEN ORDERING
BD.8505	HEADLINING ASSEMBLY		1	

BODY AND FITTINGS

Part No.	Description	Plate No.	No. per Unit	Remarks
BD.6760	BACKLIGHT ASSEMBLY		1	
BD.6760/3	Window only, for Backlight	F.73	1	
BD.6760/2	Frame, Inner	F.74	1	
BD.6760/1	Frame, Outer	F.75	1	
BD.6760/4	Screw, securing Window and Frames		18	
BD.6772	CHROME BEADING ON L.H. MAIN PILLAR (HOOD)	F.76	1	
BD.6773	CHROME BEADING ON R.H. MAIN PILLAR (HOOD)	F.77	1	
BD.6774	CHROME BEADING AROUND L.H. SIDE OF TONNEAU (HOOD)	F.78	1	
BD.6775	CHROME BEADING AROUND R.H. SIDE OF TONNEAU (HOOD)	F.79	1	
BD.6776	CHROME BEADING FOR CANOPY RAIL (HOOD)	F.80	1	
BD.6777	CHROME BEADING FOR REAR STICK (HOOD)	F.81	1	

BODY AND FITTINGS

Part No.	Description	Plate No.	No. per Unit	Remarks
BD.862	INTERIOR LAMP (WB.12136/C) ON HOOD	F.82	1	
NS.513/4H	Screw, Set, securing Interior Lamp		2	
BD.8510	STRAP ASSEMBLY SECURING HOOD WHEN CLOSED (COMPLETE WITH END TIP AND STAPLE)		2	} Fitted from Chassis No. 667001 to 667159 677001 to 678082
BD.568/1	Socket only, for "Lift the Dot" Fastener (Strap Fastening)		2	
BD.568/2	Clinch Plate for "Lift the Dot" Fastener (Strap Fastening)		2	
BD.568/3	Stud for "Lift the Dot" Fastener (Strap Fastening)		2	
BD.568/4	Clinch Plate for "Lift the Dot" Fastener (Strap Fastening)		2	
BD.9169	CLAMP ASSEMBLY, L.H., SECURING HOOD WHEN CLOSED	F.83	1	} Fitted to Chassis No. 667160 and subs. 678083 and subs.
BD.9170	CLAMP ASSEMBLY, R.H., SECURING HOOD WHEN CLOSED		1	
BD.3265/5	Screw, Set, securing Clamps		4	
BD.2244	Clip, securing Hook when Clamps not in use	F.84	2	
BD.711/7	Screw, Self Tapping, securing Clips		2	
BD.7997	ENVELOPE ASSEMBLY FOR STOWING OF HOOD WHEN FOLDED		1	
BD.568/1	Socket, for "Lift the Dot" Fasteners on Envelope		4	
BD.568/2	Clinch Plate, for "Lift the Dot" Fastener on Envelope		4	
BD.3833/1	Button, for "Durable Dot" Fastener on Envelope		2	
BD.3833/2	Socket, for "Durable Dot" Fastener on Envelope		2	
BD.1750	Stud (Woodscrew Base) for "Lift the Dot" Fasteners		4	
BD.3833/3	Stud, for "Durable Dot" Fasteners		2	
BD.539/4	Screw, Self-Tapping, securing "Durable Dot" Studs		2	

BODY AND FITTINGS

Part No.	Description	Plate No.	No. per Unit	Remarks
BD.6750	CAPPING ON L.H. SCREEN PILLAR	F.85	1	
BD.6751	CAPPING ON R.H. SCREEN PILLAR	F.86	1	
BD.711/1	Screw, Self-Tapping, securing Screen Pillar Cappings		6	
BD.4814/3	SEALING RUBBER, IN RETAINERS ON SCREEN PILLARS AND HINGE FACE OF DOORS (45" LONG)		2	
BD.6748	CAPPING ON L.H. CANTRAIL	F.87	1	
BD.6749	CAPPING ON R.H. CANTRAIL	F.88	1	
BD.711/7	Screw, Self-Tapping, securing Cantrail Cappings		6	
BD.4814/4	SEALING RUBBER, IN RETAINERS ON CANTRAILS (16½" LONG)		2	
BD.8192	CAPPING, UPPER, ON L.H. HEAD PILLAR	F.89	1	
BD.8193	CAPPING, UPPER, ON R.H. HEAD PILLAR	F.90	1	
BD.8194	CAPPING, LOWER, ON L.H. HEAD PILLAR	F.91	1	
BD.8195	CAPPING, LOWER, ON R.H. HEAD PILLAR	F.92	1	
BD.711/7	Screw, Self-Tapping, securing Head Pillar Cappings		8	

BODY AND FITTINGS

Part No.	Description	Plate No.	No. per Unit	Remarks
BD.4814/5	SEALING RUBBER, IN RETAINERS ON UPPER HEAD PILLARS (12" LONG)		2	
BD.4920/2	SEALING RUBBER, IN RETAINERS ON LOWER HEAD PILLARS (3 $\frac{3}{4}$ " LONG)		2	
BD.8004	FINISHER (CHROME) FOR L.H. SCREEN PILLAR CAPPING	F.93	1	
BD.8005	FINISHER (CHROME) FOR R.H. SCREEN PILLAR CAPPING	F.94	1	
BD.8000	FINISHER (CHROME) AT TOP OF L.H. LOWER HEAD PILLAR CAPPING	F.95	1	
BD.8001	FINISHER (CHROME) AT TOP OF R.H. LOWER HEAD PILLAR CAPPING	F.96	1	
BD.8002	FINISHER (CHROME) AT BOTTOM OF L.H. UPPER HEAD PILLAR CAPPING	F.97	1	
BD.8003	FINISHER (CHROME) AT BOTTOM OF R.H. UPPER HEAD PILLAR CAPPING	F.98	1	
BD.540/1	Screw, Self-Tapping, securing Finishers		12	

BODY AND FITTINGS

Part No.	Description	Plate No.	No. per Unit	Remarks
BD.4312	REAR WING ASSEMBLY, L.H.		1	
BD.4313	REAR WING ASSEMBLY, R.H.		1	
BD.8598	Piping Assembly between Rear Wings and Body (6 feet long)		2	
BD.2401/1	Screw, Set, securing Rear Wings		4	
BD.2401/2	Screw, Set, securing Rear Wings		4	
BD.2401/7	Screw, Set, securing Rear Wings		6	
BD.542/2	Washer, Special, for Wing Fixings		24	
C.725	Washer, Shakeproof, on Setscrews		14	
BD.4764/1	SEALING RUBBER AROUND EDGE OF REAR WINGS (56" LONG)	F.99	2	
BD.6194	STEADY ASSEMBLY FOR L.H. REAR WING		1	
BD.6195	STEADY ASSEMBLY FOR R.H. REAR WING		1	
BD.4514	Bracket, Attachment, for Rear Wing Steadies		2	
FN.105/L	Nut, for attachment of Rear Wing Steadies		6	
C.725	Washer, Shakeproof, under Nuts		2	
BD.3786	"RUBO" GASKET FOR REAR WINGS (1/4" x 27")		2	

BODY AND FITTINGS

Part No.	Description	Plate No.	No. per Unit	Remarks
BD.4449	COVER FOR L.H. REAR WING	F.100	1	} NOT REQUIRED WHEN WIRE SPOKE ROAD WHEELS ARE FITTED
BD.4450	COVER FOR R.H. REAR WING		1	
BD.2122	LOCK FOR L.H. REAR WING COVER	F.101	1	
BD.2121	LOCK FOR R.H. REAR WING COVER		1	
AS.502/4H AN.102/L C.723	Screw, Set, securing Locks Nut, on Setscrews Washer, Shakeproof, under Nuts		4 4 4	
2312	ESCUTCHEON FOR LOCKS	F.102	2	} NOT REQUIRED WHEN WIRE SPOKE ROAD WHEELS ARE FITTED
BD.540/9	Screw, Self-Tapping, securing Escutcheons		4	
BD.7760	FLOOR ASSEMBLY AT FRONT OF LUGGAGE COMPARTMENT	F.103	1	
BD.4089	Support Assembly, for Luggage Compartment Floor		1	

BODY AND FITTINGS

Part No.	Description	Plate No.	No. per Unit	Remarks
BD.6703	FLOORBOARD AT L.H. SIDE OF LUG- GAGE COMPARTMENT	F.104	1	
BD.4507	FLOORBOARD ASSEMBLY AT R.H. SIDE OF LUGGAGE COMPARTMENT	F.105	1	
BD.4663	Felt (1"×39") under forward edge of Floorboards		1	
BD.4664	Felt (1"×36") under rear edge of Floorboards		1	
BD.4665	Felt (3½"×24") under side edges of Floorboards		2	
BD.4666	Felt (2"×12") at top of Petrol Tank		2	
BD.1493/3	Screw, Set, securing Floorboards		12	
FS.404/6H	Screw, Set, securing Floorboards		4	
BD.1711	Washer, Special, for Floorboards fixing		16	
C.724	Washer, Shakeproof, on Setscrews		16	
BD.4184	Plate, Cover, for Petrol Tank Filler Neck	F.106	1	
BD.1502/2	Screw, Wood, securing Cover Plate		3	
BD.532/2	Washer, Cup, on Woodscrews		3	
BD.538/5	Screw, Self-Tapping, securing Cover Plate		3	
BD.3143	Felt (1"×38") around Petrol Tank Filler Neck		1	
BD.4265	LUGGAGE COMPARTMENT LID ASSEMBLY (COMPLETE WITH CASING, LIGHT, LOCK AND HANDLE BUT LESS HINGES)		1	
BD.8256	Lid only (comprising Panel, Wood Frame and Locking Bar)	F.107	1	
BD.4436	Casing Assembly on Luggage Lid	F.108	1	
BD.539/1	Screw, Self-Tapping, securing Casing		23	
BD.532/1	Washer, Cup, on Screws		23	
BD.4322	Lock, for Luggage Lid	F.109	1	
AS.502/5H	Screw, Set, securing Lock		2	
C.2501/3	Washer, on Setscrews		2	
AN.102/L	Nut on Setscrews		2	
BD.3266	Handle, operating Lock	F.110	1	
BD.3265/9	Screw, Set, securing Handle		2	
BD.7798	Locking-Barrel for Handle (WB.1/3325)		1	
BD.4323	Socket Assembly on Lid for Lock Rod Guide	F.111	2	
M.108/7R	Screw, Wood, securing Sockets		6	
BD.826	Light Assembly, on Luggage Lid	F.112	1	
M.204/3R	Screw, Wood, securing Light to Casing		2	
BD.82	Escutcheon, on sides of Luggage Compartment aper- ture, receiving Locking Bar	F.113	2	
BD.8757	Packing for Escutcheons		2	
AS.502/4H	Screw, Set, securing Escutcheons		4	
AN.102/L	Nut, on Setscrews		4	
C.723	Washer, Shakeproof, under Nuts		4	

BODY AND FITTINGS

Part No.	Description	Plate No.	No. per Unit	Remarks
BD.4875/1	SEALING RUBBER AROUND LUGGAGE LID APERTURE		1	Fitted from Chassis No. 667001 to 667207 677001 to 678141
BD.4875/2	SEALING RUBBER AROUND LUGGAGE LID APERTURE		1	
BD.9345/1	SEALING RUBBER ON FLANGE OF LUGGAGE LID (104" LONG)		1	Fitted to Chassis No. 667208 and subs. 678142 and subs.
BD.9346/1	SEALING RUBBER ON LIP OF GUTTER AROUND LUGGAGE LID APERTURE (104" LONG)		1	
BD.4327	PROP FOR LUGGAGE LID IN " OPEN " POSITION	F.114	1	
BD.1708/1	Washer, Spring (Double Coil) on Prop		1	
FW.105/T	Washer, Plain, behind Spring Washer		1	
L.103/7U	Pin, Split, securing Prop in Bracket		1	
BD.3839	Clip, Spring, housing Prop when not in use		1	
BD.539/1	Screw, Self-Tapping, securing Clip		1	
BD.4287	HINGE FOR LUGGAGE COMPARTMENT LID	F.115	2	
FS.104/5D	Screw, Set, securing Hinges to Lid		6	
BD.541/9	Washer, Plain, on Setscrews		6	
C.724	Washer, Shakeproof, on Setscrews		6	
BD.4311	Pin, Pivot, through boss of Hinges		2	
FN.204/L	Nut on Pivot Pins		2	
C.724	Washer, Shakeproof, under Nuts		2	
FIXINGS FOR MISCELLANEOUS ITEMS IN LUGGAGE COMPARTMENT				
BD.3431	Clip, retaining Jack		1	ALTERNATIVE TO BD.6811 ALTERNATIVE TO BD.3431
BD.6811	Clip Bracket Assembly, retaining Jack		1	
BD.3527	Socket, holding Jack		1	
BD.3535	Clip, securing Jack socket		1	
BD.3432	Clip, retaining Ratchet for Jack Operation		2	
BD.2385	Clip, retaining Wheel Brace		3	
BD.3434	Clip, retaining Tyre Pump		2	
BD.3438	Clip, retaining Budget Key for Rear Wheel Cover Locks		2	
BD.5211	Clip, retaining Grease Gun		2	
BD.3437	Strap, securing Tool Roll at back of Luggage Compartment		1	

BODY AND FITTINGS

Part No.	Description	Plate No.	No. per Unit	Remarks
BD.7778	TRAY ASSEMBLY, HOUSING SPARE WHEEL	F.116	1	
AS.102/4D	Screw, Set, securing Spare Wheel Tray		11	
AW.102/T	Washer, Plain, on Setscrews		11	
C.723	Washer, Shakeproof, on Setscrews		11	
BD.4182	Cross Rail, supporting Spare Wheel Tray at rear		1	
BD.2045/2	SEALING RUBBER AT FRONT OF SPARE WHEEL TRAY (33" LONG)		1	
BD.4694	Retainer for Sealing Rubber		1	
BD.1814/1	Rivet, Pop, securing Retainer		6	
BD.7779	HINGE PIN ASSEMBLY FOR SPARE WHEEL CLAMP	F.117	1	
BD.7782	Nut, Barrel, on Hinge Pin	F.118	1	
BD.2244	Clip, Spring, anchoring Hinge Pin when not in use	F.119	1	
BD.1814/2	Rivet, Pop, securing Clip		1	
BD.7766	CLAMP ASSEMBLY, SECURING SPARE WHEEL IN TRAY	F.120	1	
BD.4518	Bracket, on Cross Rail, receiving Clamp		1	
BD.4363	PETROL FILLER BOX ASSEMBLY	F.121	1	
BD.4369	Tube, Drain (Rubber) on Petrol Filler Box	F.122	1	
BD.4368	Hose, connecting Filler Box to Petrol Tank	F.123	1	
C.824	Clip, securing Hose	F.124	2	

BODY AND FITTINGS

Part No.	Description	Plate No.	No. per Unit	Remarks
BD.3220	VENT PIPE EXTENSION	F.125	1	
BD.3221	Tube (Rubber) for Vent Pipe Extension	F.126	1	
BD.3210	Grommet on Vent Pipe Extension	F.127	1	
BD.4354	RUBBER SEAL AROUND APERTURE FOR PETROL FILLER DOOR	F.128	1	
BD.4357	DOOR FOR PETROL FILLER BOX	F.129	1	
AN.102/L	Nut, securing Door to Hinge Plate		4	
FW.105/T	Washer, Packing, between Door and Hinge Plate		4	
C.738	Washer, Shakeproof, under Nuts		4	
BD.4358	HINGE ASSEMBLY, FOR PETROL FILLER DOOR	F.130	1	
AS.302/3H	Screw, Set, securing Hinge		2	
C.738	Washer, Shakeproof, on Setscrews		2	
BD.4360	LOCK ASSEMBLY ON PETROL FILLER DOOR	F.131	1	
BD.8071	Clip, Spring, securing Lock to Door (WB.7/4098)	F.132	1	

BODY AND FITTINGS

Part No.	Description	Plate No.	No. per Unit	Remarks
BD.4353	STRIKER ASSEMBLY FOR PETROL FILLER LOCK	F.133	1	
AS.302/3H C.738	Screw, Set, securing Strikers Washer, Shakeproof, on Setscrews		2 2	
BD.3699	CAP ON PETROL FILLER DOOR	F.134	1	
BD.3189	Seal (Cork) inside Filler Cap	F.135	1	
BD.4394	Spring, between Filler Cap and Hinge Plate	F.136	1	
L.102/4U	Pin, Split, securing Filler Cap to Joint Pin in Hinge Plate		1	
C.2501/3	Washer, Plain, under Split Pin		1	
C.3236	FRONT NUMBER PLATE ASSEMBLY		1	NOT SUITABLE FOR U.S.A.
C.4182	FRONT LICENCE PLATE ASSEMBLY		1	FOR USE IN U.S.A.
BD.4257	REAR NUMBER PLATE PANEL ASSEMBLY (ALTERNATIVE TO BD.5644)		1	} NOT SUITABLE FOR U.S.A. AND CANADA
BD.5644	REAR NUMBER PLATE PANEL ASSEMBLY (ALTERNATIVE TO BD.4257)		1	
BD.4256	REAR LICENCE PLATE PANEL ASSEMBLY (ALTERNATIVE TO BD.5645)		1	} FOR USE IN U.S.A. AND CANADA
BD.5645	REAR LICENCE PLATE PANEL ASSEMBLY (ALTERNATIVE TO BD.4256)		1	

BODY AND FITTINGS

Part No.	Description	Plate No.	No. per Unit	Remarks
C.2945	REAR NUMBER PLATE		1	SUPPLIED TO SPECIAL ORDER ONLY. NOT SUITABLE FOR U.S.A. AND CANADA.
C.7704	COMMISSION NUMBER PLATE		1	
C.1107	LICENCE HOLDER		1	
C.1108	Badge for Licence Holder		1	
BD.9487	DOOR ASSEMBLY, L.H. (COMPLETE WITH LOCK, HANDLES, CAS- ING, DOOR LIGHT FRAME, GLASSES AND FACIA)		1	} Fitted from Chassis No. 667001 to 667162 677001 to 678085
BD.9488	DOOR ASSEMBLY, R.H. (COMPLETE WITH LOCK, HANDLES, CAS- ING, DOOR LIGHT FRAME, GLASSES AND FACIA)		1	
BD.8029	Door Shell, L.H. (complete with Lock only)	G.1	1	
BD.8030	Door Shell, R.H. (complete with Lock only)		1	
BD.5042	Panel, Outer, for L.H. Door		1	
BD.5043	Panel, Outer, for R.H. Door		1	
BD.7832	Lock, on L.H. Door		1	
BD.7833	Lock, on R.H. Door		1	
M.106/8R	Screw, Wood, securing Locks		8	
BD.7855	Handle, Inside, operating Door Locks (WB.12270/D)		2	
BD.552/1	Escutcheon, for Inside Door Handles (WB.12341/A)		2	
NS.519/4H	Screw, Set, for Spindle of Inside Door Handles		2	
BD.2906/3	Washer, Shakeproof Countersunk, on Setscrews		2	
BD.8065	Handle, Outside, operating L.H. Door Lock (WB.1/4411)		1	
BD.8066	Handle, Outside, operating R.H. Door Lock (WB.1/4410)		1	
BD.1595/1	Screw, Wood, securing Outside Door Handles		4	
BD.7830	Regulator Assembly, for L.H. Door Glass		1	
BD.7831	Regulator Assembly, for R.H. Door Glass		1	
NS.525/3H	Screw, Set, securing Regulators		8	
BD.6022	Channel, on Regulator, carrying L.H. Door Glass		1	
BD.6023	Channel, on Regulator, carrying R.H. Door Glass		1	
BD.2233	Handle, operating Window Regulators		2	
BD.552/1	Escutcheon for Regulator Handles (WB.12341/A)		2	
BD.8592	Casing Assembly on L.H. Door		1	
BD.8593	Casing Assembly on R.H. Door		1	

BODY AND FITTINGS

Part No.	Description	Plate No.	No. per Unit	Remarks
DOOR ASSEMBLY—continued				
BD.540/8	Screw, Self-Tapping, securing casings		10	
BD.539/1	Screw, Self-Tapping, securing casings		8	
BD.532/1	Washer, Cup, on Self-Tapping Screws		8	
BD.5979	Cover Plate for L.H. Door Lock		1	
BD.5980	Cover Plate for R.H. Door Lock		1	
BD.539/4	Screw, Self-Tapping, securing Cover Plates		8	
BD.8038	Frame and Glass Assembly		2	
BD.8033	Ventilator, No Draught, for L.H. Door		1	
BD.8034	Ventilator, No Draught, for R.H. Door		1	
BD.6033	Facia Assembly on L.H. Door		1	
BD.6034	Facia Assembly on R.H. Door		1	
BD.5073	Capping, for L.H. Door		1	
BD.5074	Capping, for R.H. Door		1	
BD.539/1	Screw, Self-Tapping, securing Cappings		10	
BD.543/1	Washer, Cup, on Screws		10	
BD.8548	Finger-Pull, on Cappings		2	
NS.519/3H	Screw, Set, securing Finger-pulls		4	
BD.5067	Rail, on L.H. Door for attachment of Facia		1	
BD.5068	Rail, on R.H. Door for attachment of Facia	G.2	1	
BD.7838	Rail, on L.H. Door for attachment of Window Regulator		1	
BD.7839	Rail, on R.H. Door for attachment of Window Regulator	G.3	1	
NS.519/4H	Screw, Set, securing Rails		6	
NN.119/L	Nut on Setscrews		6	
C.723/A	Washer, Shakeproof, under Nuts		6	
M.106/8R	Screw, Wood, securing Rails for Facia		6	
M.106/6R	Screw, Wood, securing Rails for Regulators		6	
BD.8956	Strap, Tension, inside Doors	G.4	2	
BD.8955	Bracket, for attachment of Tension Strap		2	
BD.9504	DOOR ASSEMBLY, L.H. (COMPLETE WITH LOCK, HANDLES, CASING, DOOR LIGHT FRAME, GLASSES AND FACIA)		1	} Fitted to Chassis No. 667163 and subs. 678086 and subs.
BD.9505	DOOR ASSEMBLY, R.H. (COMPLETE WITH LOCK, HANDLES, CASING, DOOR LIGHT FRAME, GLASSES AND FACIA)		1	
BD.9162	Casing Assembly on L.H. Door		1	
BD.9163	Casing Assembly on R.H. Door		1	
BD.540/8	Screw, Self-Tapping, securing Casings		8	
BD.539/1	Screw, Self-Tapping, securing Casings		10	
BD.532/1	Washer, Cup, on Screws		10	
BD.9112	Plate, on Door, for Casing Clips		2	
M.106/3R	Screw, Wood, securing Fixing Plates		4	

NOTE :—All other items for Door Assemblies BD.9504 or BD.9505 are as for Door Assemblies BD.9487 or BD.9488 respectively.

BODY AND FITTINGS

Part No.	Description	Plate No.	No. per Unit	Remarks
BD.5603	PLATE ASSEMBLY IN BODY, FOR HINGE MOUNTING		4	
BD.5015	DOOR HINGE SWING ARM ASSEMBLY	G.5	4	
BD.4156	Pin, Pivot, mounting Door Hinges	G.6	4	
FW.104/T	Washer, Plain, on Pivot Pins		4	
FN.104/L	Nut on Pivot Pins		4	
C.724	Washer, Shakeproof, under Nuts		4	
BD.4701/1	Shim (.036" thick) between Hinge and Door	G.7	As req'd.	} Choose Shims of desired thickness.
BD.4701/2	Shim (.064" thick) between Hinge and Door	G.7	As req'd.	
FS.104/5D	Screw, Set, securing Hinges to Body		16	
FB.104/12D	Bolt, securing Hinges to Doors		16	
FN.104/L	Nut on Bolts		16	
C.724	Washer, Shakeproof, for Nuts and Setscrews		32	
BD.7832	LOCK ON L.H. DOOR (WB.3/5144)		1	
BD.7833	LOCK ON R.H. DOOR (WB.3/5143)	G.8	1	
M.108/6R	Screw, Wood, securing Door Locks		8	
BD.5979	Cover Plate, for edge of L.H. Door Lock		1	
BD.5980	Cover Plate, for edge of R.H. Door Lock	G.9	1	
BD.539/4	Screw, Self-Tapping, securing Cover Plates		8	
2310/1	STRIKER FOR L.H. DOOR LOCK		1	
2311/1	STRIKER FOR R.H. DOOR LOCK	G.9A	1	
BD.443/1	Packing for Striker		As req'd.	} Choose Packing of desired thickness
BD.443/2	Packing for Striker		As req'd.	
BD.1491/1	Screw, Set, securing Strikers		8	

BODY AND FITTINGS

Part No.	Description	Plate No.	No. per Unit	Remarks
BD.7855	HANDLE, OPERATING DOOR LOCKS INSIDE CAR (WB.12270, D)	G.10	2	
BD.552/1 BD.519/4H BD.2906/3	Escutcheon for Inside Door Handles (WB.12341/A) Screw, Set, in end of Spindle for Inside Door Handles Washer, Shakeproof Countersunk, on Setscrews	G.11	2 2 2	
BD.8065	HANDLE, OPERATING L.H. DOOR LOCK OUTSIDE CAR (WB.1/4411)		1	BD 11259 1/3533
BD.8066	HANDLE, OPERATING R.H. DOOR LOCK OUTSIDE CAR (WB.1/4410)	G.12	1	
BD.1595/1	Screw, Wood, securing outside Door Handles		4	
BD.7830	REGULATOR ASSEMBLY, RAISING AND LOWERING WINDOW IN L.H. DOOR		1	
BD.7831	REGULATOR ASSEMBLY, RAISING AND LOWERING WINDOW IN R.H. DOOR	G.13	1	
BD.6022 BD.6023 NS.525/3H	Channel, on Regulator, carrying L.H. Window Channel, on Regulator, carrying R.H. Window Screw, Set, securing Regulators to Doors	G.14	1 1 8	
BD.2233	HANDLE, OPERATING WINDOW REGULATORS (WB.1/3093)	G.15	2	
BD.552/1	Escutcheon for Regulator Handles (WB.12341, A)	G.16	2	

BODY AND FITTINGS

Part No.	Description	Plate No.	No. per Unit	Remarks
BD.8592	CASING ON L.H. DOOR		1	} Fitted from Chassis No. 667001 to 667162 677001 to 678085
BD.8593	CASING ON R.H. DOOR	G.17	1	
BD.8590	Plate, for positioning of Casings		2	
BD.524/3	Rivet, Bifurcated, securing Fixing Plates		4	
BD.540/8	Screw, Self-Tapping, securing Casings		8	
BD.539/1	Screw, Self-Tapping, securing Casings		10	
BD.532/1	Washer, Cup, on Screws		10	
BD.9162	CASING ON L.H. DOOR		1	} Fitted to Chassis No. 667163 and subs. 678086 and subs.
BD.9163	CASING ON R.H. DOOR	G.17	1	
BD.9113	Clip, for positioning of Casings	G.18	2	
BD.524/3	Rivet, Bifurcated, securing Clips to Casings		4	
BD.9112	Plate, on Doors, receiving fixing Clips	G.19	2	
M.106/3R	Screw, Wood, securing Plates to Doors		4	
BD.540/8	Screw, Self-Tapping, securing Casings		8	
BD.539/1	Screw, Self-Tapping, securing Casings		10	
BD.532/1	Washer, Cup, on Screws		10	
BD.8038	FRAME AND GLASS ASSEMBLY FOR DOORS	G.20	2	
BD.6786	Frame only for Door Glass		2	
BD.6758	Glass only		2	
BD.1300	Everseal around Frame (33' long)		2	
BD.8039	GUIDE ASSEMBLY FOR GLASS FRAME ON L.H. DOOR		1	
BD.8040	GUIDE ASSEMBLY FOR GLASS FRAME ON R.H. DOOR	G.21	1	
BD.8747	Packing, under foot of Glass Guide		2	
M.106/6R	Screw, Wood, securing Glass Guides		2	

BODY AND FITTINGS

Part No.	Description	Plate No.	No. per Unit	Remarks
BD.8033	NO DRAUGHT VENTILATOR COMPLETE, FOR L.H. DOOR		1	
BD.8034	NO DRAUGHT VENTILATOR COMPLETE, FOR R.H. DOOR		1	
BD.6789	Frame Assembly, Outer, for L.H. Ventilator		1	
BD.6790	Frame Assembly, Outer, for R.H. Ventilator		1	
BD.6791	Frame Assembly, complete with Glass, for L.H. Ventilator		1	
BD.6792	Frame Assembly, complete with Glass, for R.H. Ventilator		1	
BD.8865	Pivot Assembly, Upper, for L.H. Ventilator		1	
BD.8866	Pivot Assembly, Upper, for R.H. Ventilator		1	
BD.8068	Seal, for L.H. Ventilator		1	
BD.8069	Seal, for R.H. Ventilator		1	
BD.8755	Spindle for Lower Pivot on L.H. Ventilator		1	
BD.8756	Spindle for Lower Pivot on R.H. Ventilator		1	
BD.3796	Bush, Bearing, for Spindle		2	
BD.8861	Friction-Pivot Assembly for L.H. Ventilator		1	
BD.8862	Friction-Pivot Assembly for R.H. Ventilator		1	
BD.3982	Handle, locking L.H. Ventilator		1	
BD.3981	Handle, locking R.H. Ventilator		1	
BD.3984	Key-Pin, securing Handles to Spindles		2	
BD.3897	Washer (Rubber) behind Handles		2	
BD.3991	Plate, Striker, for Locking Handles		2	
BD.6037	Packing, under Striker Plates		As req'd.	
BD.4899/2	Screw, securing Striker Plates		4	
BD.6789	OUTER FRAME ASSEMBLY FOR L.H. NO DRAUGHT VENTILATOR		1	
BD.6790	OUTER FRAME ASSEMBLY FOR R.H. NO DRAUGHT VENTILATOR	G.22	1	
BD.1503/3	Screw, Wood, securing Outer Frames		2	
M.106/8R	Screw, Wood, securing Outer Frames		6	
BD.5082/8	Felt, 32" long, in Channel of Outer Frames	G.23	2	
BD.8748	Packing under foot of Outer Frame		2	
BD.6791	GLASS FRAME ASSEMBLY FOR L.H. NO DRAUGHT VENTILATOR (COMPLETE WITH GLASS)		1	
BD.6792	GLASS FRAME ASSEMBLY FOR R.H. NO DRAUGHT VENTILATOR (COMPLETE WITH GLASS)	G.24	1	
BD.6759	Glass only, for Ventilators		2	
BD.1300	Everseal in Glass Frame (27" long)		2	

BODY AND FITTINGS

Part No.	Description	Plate No.	No. per Unit	Remarks
BD.46/6	RUBBER SEAL (13$\frac{1}{2}$" LONG) IN REAR CHANNEL OF VENTILATOR OUTER FRAME	G.25	2	
BD.8068	SEAL (MOULDED) AROUND L.H. NO DRAUGHT VENTILATOR		1	
BD.8069	SEAL (MOULDED) AROUND R.H. NO DRAUGHT VENTILATOR	G.26	1	
BD.8665	UPPER PIVOT ASSEMBLY FOR L.H. VENTILATOR		1	
BD.8866	UPPER PIVOT ASSEMBLY FOR R.H. VENTILATOR	G.27	1	
BD.4909/3	Screw, securing Upper Pivots to Outer Frames and Glass Frames		4	
BD.8861	FRICITION PIVOT ASSEMBLY AT BOTTOM OF L.H. NO DRAUGHT VENTILATOR		1	
BD.8862	FRICITION PIVOT ASSEMBLY AT BOTTOM OF R.H. NO DRAUGHT VENTILATOR		1	
BD.8863	Bracket Assembly for L.H. Lower Pivot		1	
BD.8864	Bracket Assembly for R.H. Lower Pivot	G.28	1	
BD.5168	Plate, clamping Lower Pivot Spindle	G.29	2	
BD.5169	Spring, tensioning Clamping Plate	G.30	4	
FW.104/T	Washer, Plain, behind Spring	G.31	4	
NN.225/L	Nut, securing Clamping Plate	G.32	8	
NS.319/5H	Screw, Set, securing Lower Friction Pivots to Outer Frames		4	
C.723/A	Washer, Shakeproof, on Setscrews		4	

BODY AND FITTINGS

Part No.	Description	Plate No.	No. per Unit	Remarks
BD.8755	SPINDLE FOR L.H. LOWER FRICTION PIVOT		1	
BD.8756	SPINDLE FOR R.H. LOWER FRICTION PIVOT	G.33	1	
NS.516/2H	Screw, Set, securing Spindles to Outer Frames		4	
BD.3981	HANDLE, LOCKING ^{R.H.} L.H. NO DRAUGHT VENTILATOR		1	
BD.3982	HANDLE, LOCKING ^{L.H.} R.H. NO DRAUGHT VENTILATOR	G.34	1	
BD.3897	Washer (Rubber) behind Handles	G.35	2	
BD.3984	Key-Pin, securing Handles	G.36	2	
BD.3991	STRIKER PLATE FOR VENTILATOR HANDLES	G.37	2	
BD.6037	Packing for Striker Plates		As req'd	
BD.4899/2	Screw, securing Striker Plates		4	
BD.6033	FACIA ASSEMBLY ON L.H. DOOR		1	
BD.6034	FACIA ASSEMBLY ON R.H. DOOR	G.38	1	
1758	Clip, securing Facias to Doors	G.38A	4	
M.108/3R	Screw, Wood, securing Clips		8	

BODY AND FITTINGS

Part No.	Description	Plate No.	No. per Unit	Remarks
BD.5073	CAPPING ON L.H. DOOR		1	
BD.5074	CAPPING ON R.H. DOOR	G.39	1	
BD.539/1	Screw, Self-Tapping, securing Cappings to Facias		10	
BD.532/1	Washer, Cup, on Screws		10	
BD.8548	Finger-Pull (Chromium) on Cappings	G.40	2	
NS.519/3H	Screw, Set, securing Finger-Pulls		4	
BD.8484/1	DRAUGHT STRIP (21½" LONG) BETWEEN DOOR CAPPING AND INNER FACE OF WINDOW	G.41	2	
BD.6027	WEATHER STRIP (22" LONG) BETWEEN OUTER FACE OF WINDOW AND DOOR	G.42	2	
BD.5358/4	WAIST PIPING (33" LONG) ALONG TOP EDGE OF DOOR	G.43	2	
BD.4814/3	SEALING RUBBER (45" LONG) FOR HINGE PILLARS AND SCREEN PILLARS	G.44	2	

BODY AND FITTINGS

Part No.	Description	Plate No.	No. per Unit	Remarks
BD.2159/4	SEALING RUBBER (28½" LONG) FOR SHUT PILLARS	G.45	2	
BD.2045/8	SEALING RUBBER (31" LONG) FOR DOOR BOTTOM	G.46	2	
BD.4814/4	SEALING RUBBER (16½" LONG) FOR TOP OF DOOR	G.47	2	
BD.4814/5	SEALING RUBBER (12" LONG) ON UPPER HEAD PILLARS	G.48	2	
BD.4920/2	SEALING RUBBER (3¾" LONG) ON LOWER HEAD PILLARS	G.49	2	
BD.5091	RETAINER FOR SEAL ON L.H. HINGE PILLAR		1	
BD.5092	RETAINER FOR SEAL ON R.H. HINGE PILLAR	G.50	1	
BD.1814/2	Rivet, Pop, securing Retainers		10	

BODY AND FITTINGS

Part No.	Description	Plate No.	No. per Unit	Remarks
BD.8058	RETAINER FOR SEAL ON SCREEN PILLARS	G.51	2	
BD.1814/2	Rivet, Pop, securing Retainers		8	
BD.6055	RETAINER FOR SEAL AT DOOR BOTTOM	G.52	2	
BD.1814/2	Rivet, Pop, securing Retainers		14	
BD.6062	CASING ASSEMBLY AT L.H. SIDE OF SCUTTLE	H.1	1	
BD.6063	CASING ASSEMBLY AT R.H. SIDE OF SCUTTLE	H.2	1	
BD.539/4 BD.532/1	Screw, Self-Tapping, securing Casings Washer, Cup, on Screws		10 10	
BD.6064	CASING ASSEMBLY FOR TOP OF SCUTTLE	H.3	1	
BD.539/1 BD.532/1	Screw, Self-Tapping, securing Casings Washer, Cup, on Screws		12 12	
BD.6435 M.106/6R	Fillet, for Scuttle Casing Screw, Wood, securing Fillet		1 3	
BD.4789	TRIM FILLET FOR BEAM PANEL (CORNERS OF SCUTTLE SIDE CASINGS)	H.4	2	
BD.540/5	Screw, Self-Tapping, securing Trim Fillets		4	

BODY AND FITTINGS

Part No.	Description	Plate No.	No. per Unit	Remarks
BD.8104	INSTRUMENT BOARD ASSEMBLY	H.5	1	
BD.6472	Plate, for fixing of Instrument Board	H.6	2	
M.106/6R	Screw, Wood, securing Plates to Instrument Board		6	
NS.125/8D	Screw, Set, securing Instrument Board		4	
FW.104/T	Washer, Plain, on Setscrews		4	
C.724	Washer, Shakeproof, on Setscrews		4	
BD.6696	DRAWER AT BOTTOM OF INSTRUMENT BOARD (NOT REQUIRED WHEN RADIO IS FITTED)	H.7	1	
BD.4717	Knob on Drawer	H.8	1	
BD.539/16	Screw, securing Knob		2	
BD.6699	Slide (Female) on Drawer	H.9	2	
BD.1606/4	Screw, Wood, securing Slides to Drawer		6	
BD.6086	Stop, on Drawer	H.10	1	
BD.1501/1	Screw, Wood, securing Stop		2	
BD.6697	Slide (Male) on L.H. side of aperture, for Drawer	H.11	1	
BD.6698	Slide (Male) on R.H. side of aperture, for Drawer	H.12	1	
NS.119/4D	Screw, Set, securing Male Slides		4	
AW.102/T	Washer, Plain, on Setscrews		4	
NN.119/L	Nut, on Setscrews		4	
C.723/A	Washer, Shakeproof, under Nuts		4	
BD.7707	Stop, for Drawer, at sides of aperture in Instrument Panel		2	
BD.1503/6	Screw, Wood, securing Stops		2	
BD.6801	Plate, Carrier, for Drawer Support	H.13	1	
BD.1502/2	Screw, Wood, securing Carrier Plate		3	
NS.119/4D	Screw, Set, securing Drawer Support		2	
NN.119/L	Nut on Setscrews		2	
C.723/A	Washer, Shakeproof, under Nuts		2	
BD.5766	FACIA BOARD ASSEMBLY, L.H.		1	} FITTED TO L.H. DRIVE CARS ONLY.
BD.5767	FACIA BOARD ASSEMBLY, R.H. (COMPLETE WITH CUBBY BOX LID)		1	
BD.5996	FACIA BOARD ASSEMBLY, L.H. (COMPLETE WITH CUBBY BOX LID)	H.14	1	} FITTED TO R.H. DRIVE CARS ONLY.
BD.5997	FACIA BOARD ASSEMBLY, R.H.	H.15	1	

BODY AND FITTINGS

Part No.	Description	Plate No.	No. per Unit	Remarks
FACIA BOARD ASSEMBLY—continued				
BD.3334	Stop-Hinge, for Cubby Box Lid		2	
BD.1497/1	Screw, Wood, securing Hinges		12	
BD.656/1	Ball Catch, retaining Lid in "closed" position		1	
BD.656/2	Plate, receiving Ball Catch		1	
M.102/3K	Screw, Wood, securing Plate		2	
BD.5300	Lock, on Cubby Box Lid (WB.7/5631)		1	
BD.8072	Barrel, for Cubby Box Lock (WB.7/5410)		1	
BD.1501/4	Screw, Wood, securing Lock		3	
BD.4717	Knob on Cubby Box Lid		1	
BD.539/16	Screw, Self-Tapping, securing Knob		2	
M.108/8R	Screw, Wood, securing Facia Boards		6	
BD.8514	Cuff Assembly on Steering Column	H.16	1	FITTED TO L.H. DRIVE CARS ONLY.
BD.8515	Cuff Assembly on Steering Column		1	FITTED TO R.H. DRIVE CARS ONLY.
BD.5992	L.H. CUBBY BOX ASSEMBLY	H.17	1	FITTED TO R.H. DRIVE CARS ONLY.
BD.5993	R.H. CUBBY BOX ASSEMBLY		1	FITTED TO L.H. DRIVE CARS ONLY.
BD.1502/1	Screw, Wood, securing Cubby Boxes		10	
BD.8229	PANEL ASSEMBLY (HIDE COVERED) OVER TOP OF INSTRUMENT PANEL	H.18	1	
BD.6429	Escutcheon, in Top Panel, for Demister Outlet	H.19	2	
M.104/5R	Screw, Wood, securing Top Panel		4	
BD.5765	SCREEN RAIL FACIA (COMPLETE WITH RECEPTACLE FOR ASH TRAY)	H.20	1	

BODY AND FITTINGS

Part No.	Description	Plate No.	No. per Unit	Remarks
BD.553	ASH TRAY IN SCREEN RAIL FACIA	H.21	1	
BD.6041	L.H. SEAT ASSEMBLY		1	
BD.6042	R.H. SEAT ASSEMBLY		1	
<p>NOTE :—The above is for the supply of fully Trimmed Seats, complete with Base Frame, Runners, Adjusting Lever and Hinges, BUT LESS CUSHION.</p>				
BD.6108	L.H. SEAT FRAME AND SQUAB ASSEMBLY		1	Fitted from Chassis No. 667001 to 667160 677001 to 678082 Also to 678085
BD.6109	R.H. SEAT FRAME AND SQUAB ASSEMBLY		1	
BD.9252	L.H. SEAT FRAME AND SQUAB ASSEMBLY		1	Fitted to Chassis No. 667161 and subs. 678086 and subs. Also to 678083 and 678084
BD.9253	R.H. SEAT FRAME AND SQUAB ASSEMBLY		1	
BD.6093	L.H. SEAT SQUAB FRAME ASSEMBLY		1	Fitted from Chassis No. 667001 to 667160 677001 to 678082 Also to 678085
BD.6094	R.H. SEAT SQUAB FRAME ASSEMBLY		1	

BODY AND FITTINGS

Part No.	Description	Plate No.	No. per Unit	Remarks
BD.9254	L.H. SEAT SQUAB FRAME ASSEMBLY		1	} Fitted to Chassis No. 667161 and subs. 678086 and subs.
BD.9255	R.H. SEAT SQUAB FRAME ASSEMBLY	H.22	1	
BD.4794	Hinge Arm Assembly, L.H. Inner		1	
BD.4795	Hinge Arm Assembly, R.H. Inner		1	
BD.6106	Hinge Arm Assembly, L.H. Outer		1	
BD.6107	Hinge Arm Assembly, R.H. Outer		1	
BD.3255	Pivot Pin, for Hinge Arms at Seat Base Frame		4	
BD.541/10	Washer, Plain, on Pivot Pins		8	
C.4202/2	Nut on Pivot Pins		4	
FG.105/X	Washer, Spring, under Nuts		4	
BD.3252	L.H. SEAT BASE FRAME ASSEMBLY		1	
BD.3253	R.H. SEAT BASE FRAME ASSEMBLY	H.23	1	
BD.3308/9	Runner on Seat Base (comprising 1 Plain and 1 Slotted Runner per set)	H.24	2	
FS.504/4H	Screw, Set, securing Runners to Seat		8	
FN.104/L	Nut on Setscrews		8	
C.724	Washer, Shakeproof, under Nuts		8	
BD.3258	Lever, Adjusting, on L.H. Seat		1	
BD.3259	Lever, Adjusting, on R.H. Seat	H.25	1	
BD.6624/2	Joint Pin, securing Adjusting Levers		2	
FW.104/C	Washer (Brass) on Joint Pins		2	
FW.104/T	Washer, Plain, on Joint Pins		2	
L.102/6U	Pin, Split, retaining Joint Pins		2	
C.3317	Spring, Tension, for Adjusting Levers	H.26	2	
NS.525/8H	Screw, Set, securing Seat Runners to Floor		8	
BD.3870	SEAT CUSHION ASSEMBLY	H.27	2	
BD.6112	COVER ASSEMBLY, BETWEEN SEATS, OVER PROPELLER SHAFT TUNNEL	H.28	1	
BD.540/3	Screw, Self-Tapping, securing Cover		4	

BODY AND FITTINGS

Part No.	Description	Plate No.	No. per Unit	Remarks
BD.7988	CASING ASSEMBLY FOR L.H. REAR QUARTER	H.29	1	
BD.7989	CASING ASSEMBLY FOR R.H. REAR QUARTER		1	
BD.539/4 BD.532/1	Screw, Self-Tapping, securing Rear Quarter Casings Washer, Cup, on Screws		6 6	
BD.8169	BLOCK ASSEMBLY, FOR ATTACHMENT OF L.H. REAR QUARTER CASING		1	
BD.8170	BLOCK ASSEMBLY, FOR ATTACHMENT OF R.H. REAR QUARTER CASING		1	
BD.540/2	Screw, Self-Tapping, securing Attachment Blocks		4	
BD.6754/1	TACKING FILLET FOR L.H. REAR QUARTER PANEL		1	
BD.6754/2	TACKING FILLET FOR R.H. REAR QUARTER PANEL		1	
BD.6755	TACKING RAIL AT CENTRE OF TONNEAU		1	
BD.6756	TACKING RAIL AT L.H. SIDE OF TONNEAU		1	
BD.6757	TACKING RAIL AT R.H. SIDE OF TONNEAU		1	
NS.519/6H	Screw, Set, securing Tacking Rails		4	
NS.519/8H	Screw, Set, securing Tacking Rails		9	
NN.119/L	Nut on Setscrews		13	
C.723/A	Washer, Shakeproof, under Nuts		13	
BD.5751	PARCEL BOX ASSEMBLY	H.30	1	

BODY AND FITTINGS

Part No.	Description	Plate No.	No. per Unit	Remarks
BD.6770	SURROUND ASSEMBLY AT L.H. SIDE OF PARCEL BOX	H.31	1	
BD.6771	SURROUND ASSEMBLY AT R.H. SIDE OF PARCEL BOX		1	
BD.6125	PANEL, ATTACHED TO PARCEL BOX	H.32	1	NOT REQUIRED WHEN RADIO IS FITTED.
BD.8912	PANEL, ATTACHED TO PARCEL BOX		1	FOR USE WHEN RADIO IS FITTED.
AS.502/4H	Screw, Set, securing Panel to Box		7	
AN.102/L	Nut on Setscrews		7	
C.723	Washer, Shakeproof, under Nuts		7	
BD.6128	Hinge, for Panel	H.33	2	
C.2015/1	Screw, Set, securing Hinges		6	
C.2015/2	Screw, Set, securing Hinges		6	
AN.102/L	Nut on Setscrews		12	
C.723	Washer, Shakeproof, under Nuts		12	
BD.6129	Stud (Oddie 828) securing Panel when closed	H.34	2	
BD.1288/2	Washer (Rubber) (Oddie 212) retaining Studs in Panel	H.35	2	
BD.6119	Ferrule, in Panel, for Studs	H.36	2	
BD.1288/3	Clip (Oddie 212) receiving Studs	H.37	2	
BD.1289/2	Rivet, securing Clips		4	
BD.6683	LID ASSEMBLY COVERING PARCEL BOX		1	NOT REQUIRED WHEN RADIO IS FITTED.
BD.8911	LID ASSEMBLY COVERING PARCEL BOX		1	FOR USE WHEN RADIO IS FITTED.
				Fitted from Chassis No. 667001 to 667159 677001 to 678082
BD.8606	Hinge for Lid		3	
BD.8055	Rail, carrying Hinges at back of Lid		1	
BD.524/7	Rivet, Bifurcated, securing Hinges to Lid and Rail		18	
BD.6250	Tab (Leather) for lifting Lid		1	
BD.1499/1	Screw, Wood, securing Tab to Lid		2	
BD.532/1	Washer, Cup, on Woodscrews		2	
BD.6683/4	Felt (9" x 50") on top of Lid		1	
NS.519/6H	Screw, Set, securing Rail		3	
NN.119/L	Nut on Setscrews		3	
C.723/A	Washer, Shakeproof, under Nuts		3	

BODY AND FITTINGS

Part No.	Description	Plate No.	No. per Unit	Remarks
BD.9190	LID ASSEMBLY, COVERING PARCEL BOX	H.38	1	NOT REQUIRED WHEN RADIO IS FITTED.
BD.9191	LID ASSEMBLY, COVERING PARCEL BOX		1	FOR USE WHEN RADIO IS FITTED. Fitted to Chassis No. 667160 and subs. 678083 and subs.
BD.8606	Hinge for Lid		3	
BD.9190/4	Rail, carrying Hinges at back of Lid		1	
BD.524/7	Rivet, Bifurcated, securing Hinges to Lid and Rail		18	
BD.6250	Tab (Leather) for Lifting Lid		1	
BD.1499/1	Screw, Wood, securing Tab to Lid		2	
BD.532/1	Washer, Cup, on Woodscrews		2	
BD.6683/4	Felt (9" x 50") on top of Lid		1	
NS.519/6H	Screw, Set, securing Rail		3	
NN.119/L	Nut on Setscrews		3	
C.723/A	Washer, Shakeproof, under Nuts		3	
BD.5534	SPRING CLIP FOR FIXING LID IN "CLOSED" POSITION	H.39	2	
BD.1501/1	Screw, Wood, securing Clips to Lid		2	
BD.5533	BUTTON, ON PANEL AT SIDES OF PARCEL BOX, FOR LID FIXING	H.40	2	
BD.6047	Bracket, for mounting of Buttons	H.41	2	
BD.711/1	Screw, Self-Tapping, securing Brackets		4	
BD.711/5	Screw, Self-Tapping, securing Buttons to Brackets		2	
BD.8494	FELT MAT, COVERING SHELF AT BACK OF PARCEL BOX		1	Fitted to Chassis No. 667001 only 677001 to 677528
BD.8832	PANEL, COVERING SHELF AT BACK OF PARCEL BOX		1	Fitted from Chassis No. 667002 to 667003 677529 to 677720
BD.8919	Felt (18" x 39") under Panel		1	
BD.332/2	Beading on Panel		5	
BD.1814/3	Rivet, Pop, securing Beading to Panel		20	
BD.213/2	Insert (Rubber) for Beading (14½" long)		5	

BODY AND FITTINGS

Part No.	Description	Plate No.	No. per Unit	Remarks
BD.332/2	BEADING, ON SHELF AT BACK OF PARCEL BOX	H.42	5	} Fitted to Chassis No. 667004 and subs. 677721 and subs.
BD.1814/3	Rivet, Pop, securing Beading to Shelf		20	
BD.213/2	RUBBER INSERT (14½" LONG) FOR BEADINGS	H.43	5	Fitted to Chassis No. 667004 and subs. 677721 and subs.
BD.8450	FILLET AT EACH SIDE OF SHELF		2	} Fitted from Chassis No. 667001 to 667003 677701 to 677720
BD.2703	Clip, for attachment of Fillets		2	
BD.2702	Retainer for Clips		2	
BD.539/3	Screw, Self-Tapping, securing Clips		2	
BD.532/2	Washer, Cup, on Screws		2	
BD.8833/1	FILLET AT L.H. SIDE OF SHELF		1	} Fitted to Chassis No. 667004 and subs. 677721 and subs.
BD.8834/1	FILLET AT R.H. SIDE OF SHELF		1	
BD.539/4	Screw, Self-Tapping, securing Fillets		6	
BD.532/2	Washer, Cup, on Screws		6	
C.4387	CAR HEATER ASSEMBLY		1	
FN.104/L	Nut, securing Heater Unit		3	
FW.104/T	Washer, Plain, under Heater Studs		3	
FG.104/X	Washer, Spring, under Nuts		3	

BODY AND FITTINGS

Part No.	Description	Plate No.	No. per Unit	Remarks
C.4391	SEALING RUBBER FOR PIPES ON HEATER UNIT		2	
C.4392	VALVE, CONTROLLING WATER SUP- PLY TO HEATER		1	
C.4393	Knob, for operating Valve		1	
C.5233/I	Screw, Set, securing Knob to Valve Spindle		1	
C.4395	Bracket, for mounting Valve		1	
BD.1492/I	Screw, Set, securing Bracket		1	
FG.104/X	Washer, Spring, on Setscrews		1	
C.4396	HEATER HOSE, FROM MANIFOLD TO VALVE		1	
C.4397	HEATER HOSE, FROM VALVE TO HEATER		1	
C.4398	HEATER HOSE, FROM HEATER TO INTERMEDIATE PIPE		1	

BODY AND FITTINGS

Part No.	Description	Plate No.	No. per Unit	Remarks
C.3994	HEATER HOSE, FROM INTERMEDIATE PIPE TO FRONT RETURN PIPE		1	
C.4399	HEATER HOSE, FROM FRONT RETURN PIPE TO BANJO ON WATER PUMP		1	FOR L.H. DRIVE MODELS ONLY.
BD.215/1	HEATER HOSE, FROM FRONT RETURN PIPE TO BANJO ON WATER PUMP		1	FOR R.H. DRIVE MODELS ONLY.
C.290	Adapter , in Manifold, for connection of Heater Hose		1	
C.1505	Banjo , on Water Pump, for connection of Heater Hose		2	
C.4403	Bolt , securing Banjos		1	FITTED TO L.H. DRIVE MODELS ONLY.
C.1506	Bolt , securing Banjos		1	FITTED TO R.H. DRIVE MODELS ONLY.
C.2296/1	Washer (Copper) at each side of Banjo		4	
C.821	Clip , securing Heater Hoses to Banjo, Adapter and Valve		3	
C.2905/1	Clip , securing Heater Hoses to Front Return Pipe, Intermediate Pipe, Heater and Valve		7	
BD.233	HOSE, FROM FRONT RETURN PIPE TO REAR PIPE		1	FITTED TO R.H. DRIVE MODELS ONLY.
C.4400	INTERMEDIATE RETURN PIPE		1	
C.4401	FRONT RETURN PIPE		1	} FOR L.H. DRIVE MODELS ONLY.
C.4402	Clip , securing Front Return Pipe		2	
AS.302/4H	Screw, Set , securing Clips		2	
AN.102/L	Nut , on Setscrews		2	
AG.102/X	Washer, Spring , under Nuts		2	

BODY AND FITTINGS

Part No.	Description	Plate No.	No. per Unit	Remarks
C.4836	FRONT RETURN PIPE		1	} FOR R.H. DRIVE MODELS ONLY.
C.4837	Clip , securing Front Return Pipe		1	
C.4954	Clip , securing Front Return Pipe		1	
AS.302/4H	Screw, Set , securing Clips		2	
AN.102/L	Nut , on Setscrews		2	
AG.102/X	Washer , Spring, under Nuts		2	
C.4543	RHEOSTAT SWITCH, OPERATING HEATER MOTOR (LUCAS 78262/B)		1	
C.1042	Grommet , for Lead to Heater Motor		1	
C.1071/2	Clip (Bowden) securing Heater Cables		4	
C.5485	Knob , on Instrument Panel, operating Rheostat Switch (Lucas 768473)		1	
C.4525	Connector , for Rheostat Cable		1	FITTED TO R.H. DRIVE MODELS ONLY.
C.4526	Connector , for Rheostat Cable		1	FITTED TO L.H. DRIVE MODELS ONLY.
BD.6521	DEMISTER OUTLET ASSEMBLY FOR HEATER MOTOR		1	
BD.711/1	Screw , Self-Tapping, securing Outlet to Heater Motor		2	
BD.6579	AIR DUCT ASSEMBLY FOR DEMISTING L.H. WINDSCREEN GLASS		1	
BD.6580	AIR DUCT ASSEMBLY FOR DEMISTING R.H. WINDSCREEN GLASS		1	
M.108/4R	Screw , Wood, securing Air Ducts		4	

BODY AND FITTINGS

Part No.	Description	Plate No.	No. per Unit	Remarks
BD.5281/3	HOSE, FOR AIR SUPPLY FROM HEATER MOTOR TO R.H. AIR DUCT (20" LONG)		1	
BD.5281/4	HOSE, FOR AIR SUPPLY FROM HEATER MOTOR TO L.H. AIR DUCT (23" LONG)		1	
BD.6429	ESCUTCHEON, ON SCREEN RAIL, FOR DEMISTER AIR SUPPLY TO WINDSCREEN GLASSES		2	
C.5501	INTERIOR MIRROR ON SCUTTLE		1	
C.5501/1	Bracket only		1	
C.5500/2	Glass only		1	
C.5472	WINDSCREEN WASHER ASSEMBLY (TRICO 800010-JAW. 12-3)		1	
	NOTE :—C.5472 covers the supply of a Windscreen Washing Unit, complete with Mounting Bracket and all fixings			
C.5473/1	JAR, PUMP AND BRACKET ASSEMBLY (800008)		1	
C.5473/2	Jar only (Glass) (X.78369)		1	
C.5473/3	Pump and Cover Assembly (X.82540)		1	
C.5473/8	Bracket and Strap Assembly (X.78364-IE)		1	
C.5498	Strainer-Tube Assembly (X.76431-IM)		1	

BODY AND FITTINGS

Part No.	Description	Plate No.	No. per Unit	Remarks
HOSE CONNECTIONS				
C.5472/15	Hose, from connection under Pump to "T" Junction (81846—13" long)		1	
C.5472/19	Hose, from "T" Junction to L.H. Jet (R.H. DRIVE CARS ONLY) or to R.H. Jet (L.H. DRIVE CARS ONLY) (F.15—40" long)		1	
C.5472/20	Hose, from "T" Junction to R.H. Jet (R.H. DRIVE CARS ONLY) or to L.H. Jet (L.H. DRIVE CARS ONLY) (F.15—16" long)		1	
C.5472/16	Hose, from top of Pump to Control (81846—38" long)		1	FOR L.H. DRIVE CARS ONLY.
C.5472/17	Hose, from top of Pump to Control (81846—52" long)		1	FOR R.H. DRIVE CARS ONLY.
C.5472/18	Hose, from Control to Manifold (81846—20" long)		1	
JET ASSEMBLY COMPLETE (X.78778-C)				
C.5473/4			2	
C.5495	Jet only (81600-C)		2	
C.5499	Button (Knurled) for Jet Cleaning (81153-IC)		2	
C.5496	Washer (Plastic) on Button (81635)		2	
C.5497	Washer (Rubber) between Jet and Scuttle (75172)		2	
CONTROL ASSEMBLY ON INSTRUMENT PANEL, OPERATING JET SPRAY (900106)				
C.5472/7			1	
TUBE ASSEMBLY IN MANIFOLD, FOR ATTACHMENT OF HOSE TO CONTROL (770750)				
C.5473/5			1	
BRACKET, ON SCUTTLE, MOUNTING JAR BRACKET				
BD.8106			1	
NS.119/4D	Screw, Set, securing Bracket to Scuttle		4	
NS.119/10D	Screw, Set, securing Jar Bracket		1	
BD.8107	Piece, Distance, for Jar Bracket		1	
NN.119/L	Nut on Setscrews		5	
C.723/A	Washer, Shakeproof, under Nuts		5	

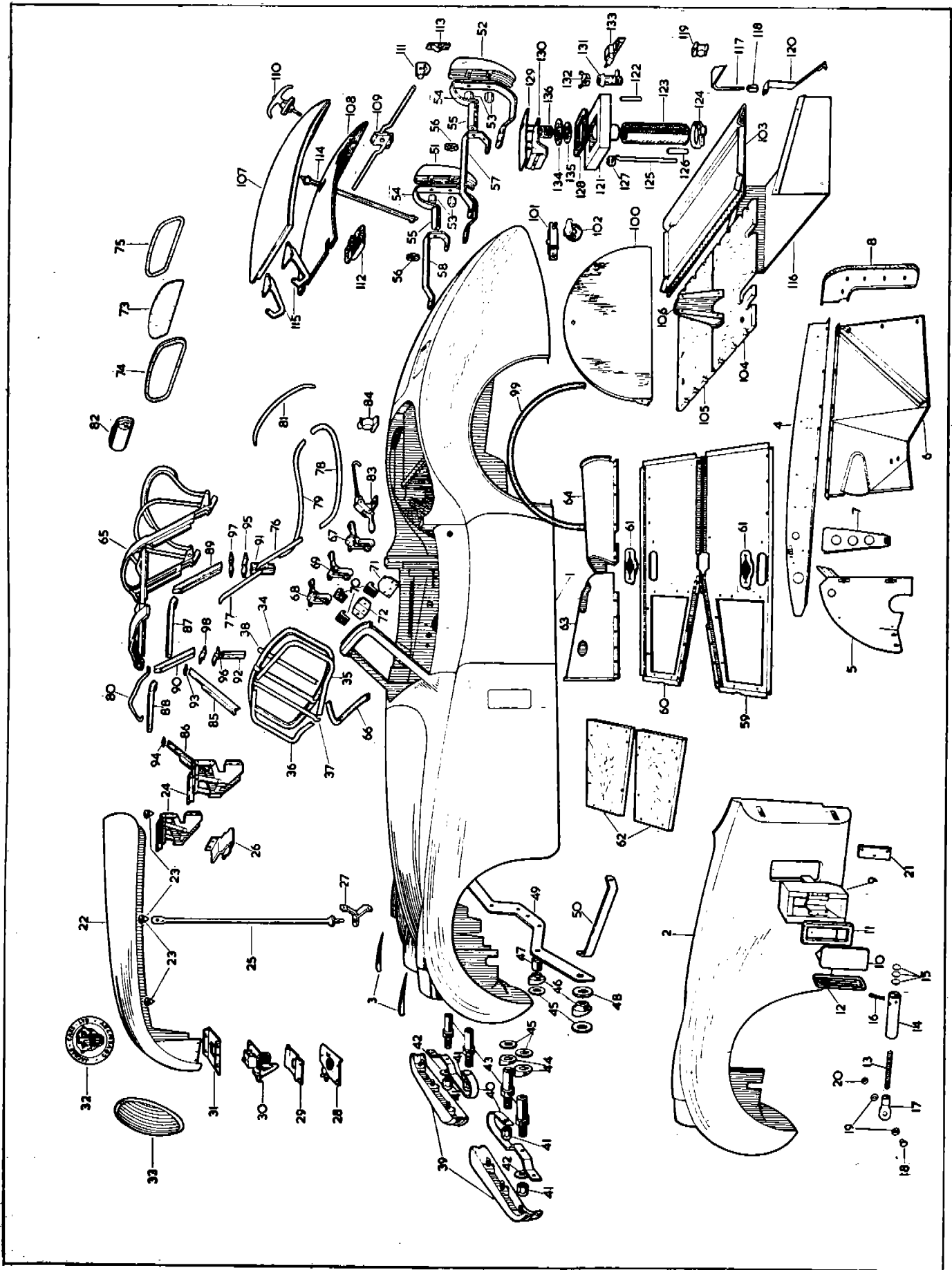


PLATE F.

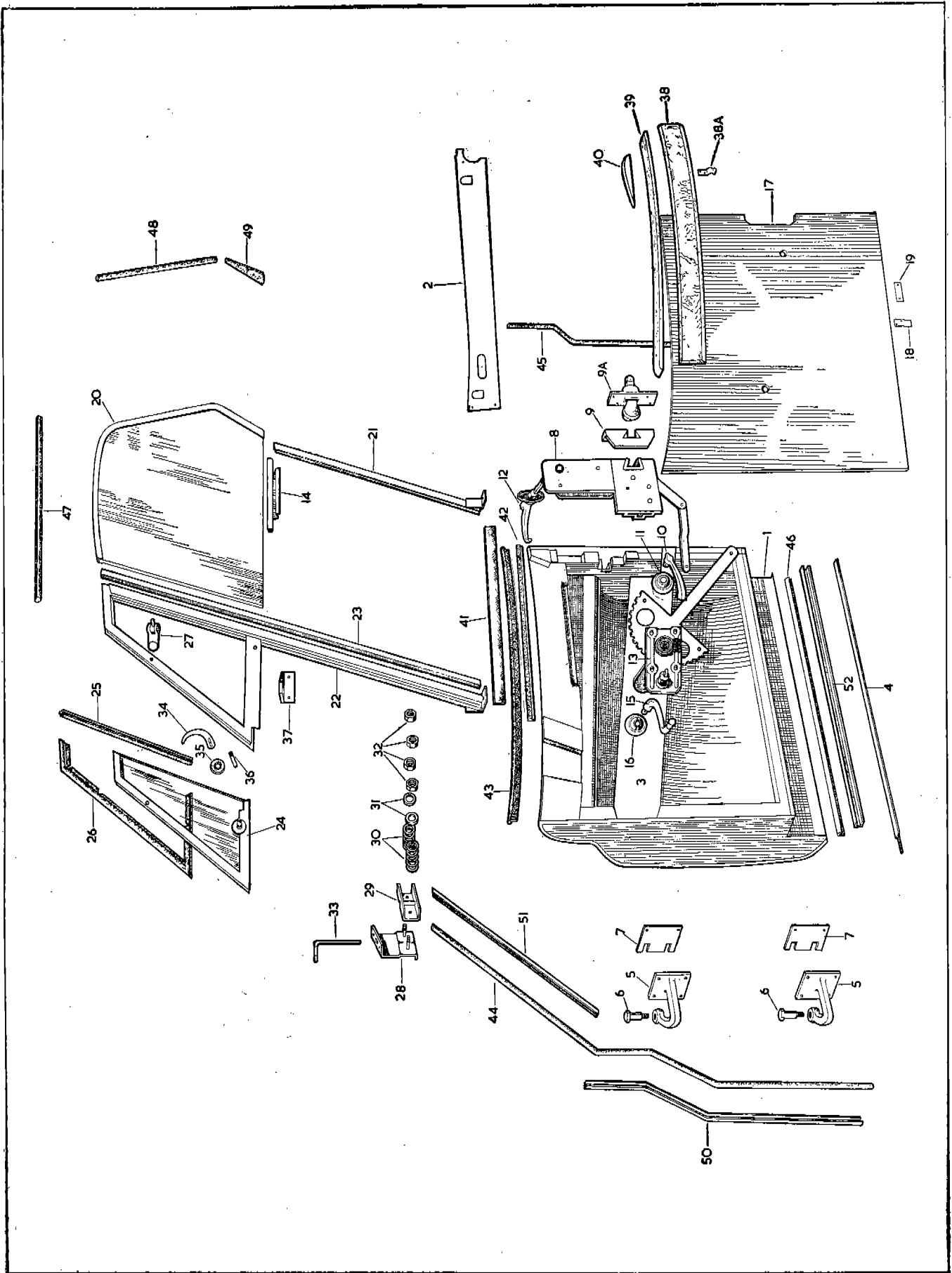


PLATE G.

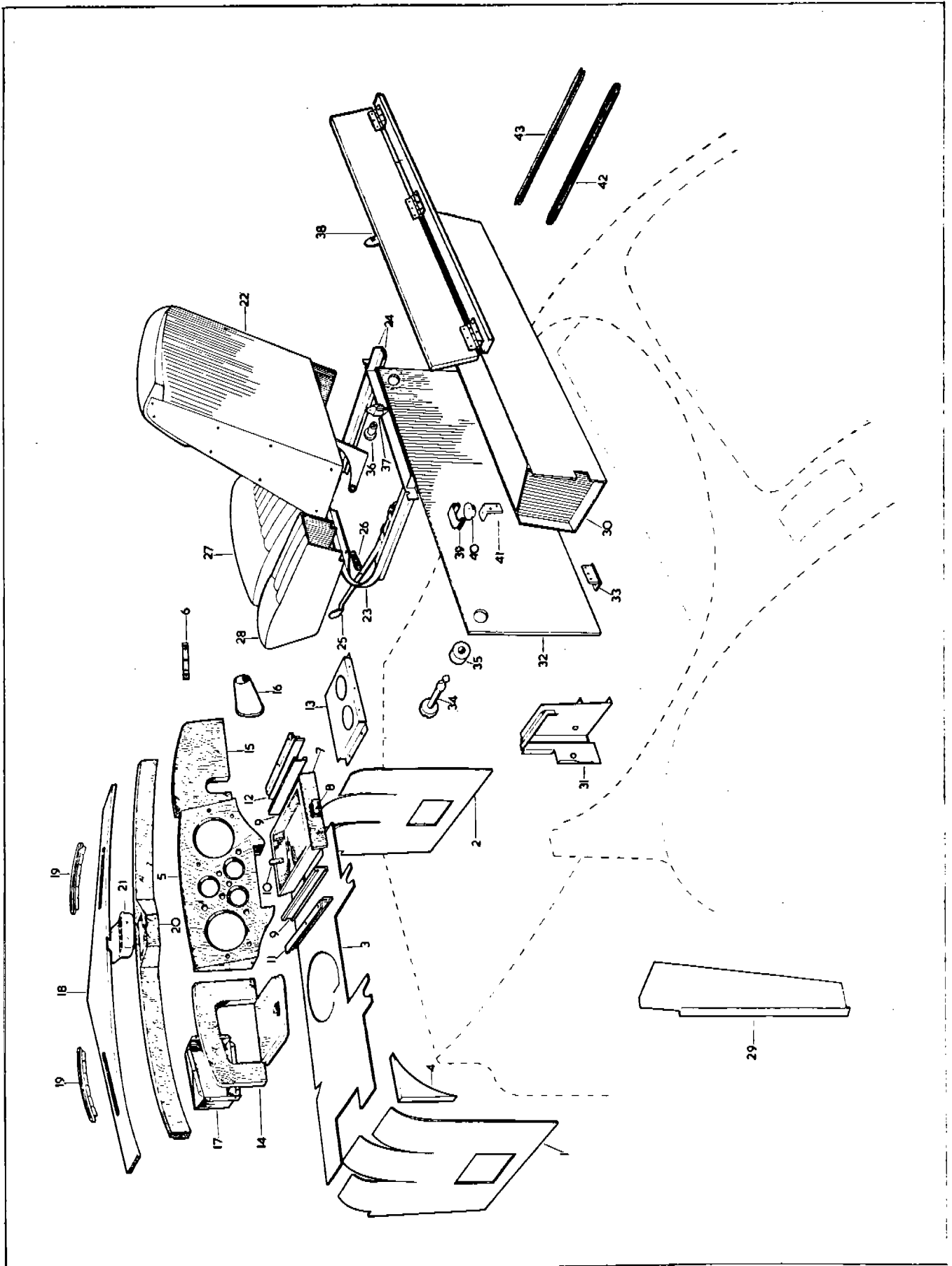


PLATE H.



ELECTRICAL

Part No.	Description	Plate No.	No. per Unit	Remarks
C.5453	DYNAMO (LUCAS 22462/B—C45.PVS/5 TYPE GC.51)	J.1	1	
238806	Armature		1	
238240	Brush (supplied in set of 3)		1 set	
238062	Spring for Brush tension (supplied in set of 3)		1 set	
239083	Bracket, Commutator end		1	
189307	Bearing, Commutator end		1	
239086	Bracket, Driving end		1	
189308	Bearing, Driving end		1	
238820	Field Coil		1	
227015	Cover Band		1	
238521	Bolt, Fixing		2	
C.2579	Pulley for Dynamo		1	
C.5376	Bolt for Dynamo Adjustment		1	
C.5377	Washer, Plain, on Bolt		1	
C.2746/1	STARTER (LUCAS 26062/A — M.45G/GC.47)	J.2	1	
270532	Armature		1	
255659	Brush (supplied in set of 2)		1 set	
270004	Spring for Brush tension (supplied in set of 2)		1 set	
291101	Pinion and Sleeve Assembly		1	
291035	Spring, Pinion retaining		1	
291043	Spring, Main		2	
270214	Field Coil		2	
270149	Bracket, Commutator end		1	
255491	Bush for Commutator end Bracket		1	
271458	Bracket, Driving end		1	
270038	Bush for Driving end Bracket		1	
291380	Drive Assembly		1	
255854	Cap, Shaft		1	
270294	Cover Band		1	
C.2692	STARTER SOLENOID SWITCH (LUCAS 76411/D—ST.950)	J.3	1	
AS.102/5D	Screw, Set, securing Starter Solenoid Switch		2	
AN.102/L	Nut on Setscrews		2	
C.723	Washer, Shakeproof, under Nuts		2	
C.4650	Boot (Rubber) over Solenoid Terminals		2	

ELECTRICAL

Part No.	Description	Plate No.	No. per Unit	Remarks
C.2528	IGNITION COIL (LUCAS 45012/A — B.12/L)	J.4	1	
C.5451	Nut, for H.T. Lead connection	J.5	1	
C.5452	Washer, for H.T. Lead connection	J.6	1	
C.5259	BRACKET ASSEMBLY MOUNTING IGNITION COIL	J.7	1	
NN.125/L	Nut, securing Coil to Bracket		2	
FW.104/T	Washer, Plain, under Nuts		2	
C.724	Washer, Shakeproof, under Nuts		2	
C.5468	DISTRIBUTOR (LUCAS 40249/A— DVX.6A/GC.47)	J.8	1	SUITABLE FOR 7:1 COMPRESSION RATIO ENGINES
414909	Plate Assembly		1	
407043	Cover (Vertical Outlet)		1	
404434	Brush and Spring Assembly (in Cover)		1	
407030	Rotor Arm		1	
407050	Contacts, Set		1	
407044	Condenser		1	
408999	Cam Assembly		1	
406136/S	Spring, Automatic Advance		2	
415729	Weight, Automatic Advance		2	
410620	Shaft and Action Plate		1	
189272	Bearing at top of Shaft		1	
410590	Bearing at bottom of Shaft		1	
400850	Vacuum Unit		1	
408945	Bush (Bridge-Piece) insulating Terminal		1	
C.5469	DISTRIBUTOR (LUCAS 40199/E— DVX.6A/GC.47)		1	SUITABLE FOR 8:1 COMPRESSION RATIO ENGINES
416076/S	Spring, Automatic Advance		2	
410767	Shaft and Action Plate		1	
400904	Vacuum Unit		1	
	All other Spares as for Distributor C.5468			

ELECTRICAL

Part No.	Description	Plate No.	No. per Unit	Remarks
C.8046	SUPPRESSOR FOR DISTRIBUTOR		1	} FITTED TO HOME MODELS ONLY
C.8306	SUPPRESSOR FOR SPARKING PLUGS		6	
C.2430	Ring, Sealing, for Distributor Shaft		1	
C.2581	Pipe, Suction, from Vacuum Unit to Front Carburetter	J.9	1	
C.2823	PETROL PUMP (S.U.PP.31/LCS)	J.10	1	
C.2839	Cover for Petrol Pump		1	
C.800	Stud, mounting Petrol Pump		2	
C.2539/1	Nut on Studs		2	
BD.541/5	Washer under Nuts		2	
C.2530	CONTROL BOX (LUCAS 37076/D—RF.95/2—L.4)	J.11	1	
334956	Cover	J.12	1	
334906	Clip, securing Cover	J.13	1	
334977	Resistance		1	
188218	Fuse, 35 amps.		2	
AS.302/9H	Screw, Set, securing Control Box		2	
C.723	Washer, Shakeproof, on Setscrews		2	
C.2829	FUSE BOX (COMPLETE WITH COVER) (LUCAS 37110/A—SF.4 L.23)	J.14	1	
188218	Fuse, 35 amps.		4	
AS.303/4H	Screw, Set, securing Fuse Box		2	

ELECTRICAL

Part No.	Description	Plate No.	No. per Unit	Remarks
C.7290	INSTRUMENT PANEL (LUCAS 30191/A)		1	Fitted from Chassis No. 667001 to 667211 677001 to 678220
C.2753	Ammeter (Lucas 36071/A—BM.4/L.54)		1	
C.5459	Switch, Ignition (Lucas 31287/A—S.45)		1	
BD.2411	Barrel for Ignition Switch (complete with 2 Keys) (WB.1/2646)		1	
C.2755	Light, Warning, for Ignition Switch (Lucas 38020/A —WL.4/L.11)		1	
C.4625	Bezel for Ignition Warning Light (Lucas 305414)		1	
C.5465	Eyelet for Ignition Switch (Lucas 312169)		1	
C.5462	Switch, Starter (Lucas 31253/A—SF.9)		1	
C.5458	Switch, Road Lights (Lucas 31387/A—PRS.5)		1	
C.2762	Escutcheon for Road Lights Switch (Lucas 304802)		1	
C.2763	Eyelet for Road Lights Switch (Lucas 304803)		1	
C.5460	Switch, Panel Lights (Lucas 78218/D)		1	
C.4522	Switch, Windscreen Wiper (Lucas 31391/A)		1	
C.5484	Knob for Screen Wiper Switch		1	
C.2769	Eyelet for Screen Wiper Switch (Lucas 305132)		1	
C.1431	Gauge, Oil Pressure and Thermometer (Smith X.42638/6)		1	
C.7131	Gauge, Petrol (complete with Warning Light) (Smith X.49422/202)		1	
C.2523	Lighter, Cigar (Thermostatic) complete (Smith)		1	
C.2523/1	Body only, for Cigar Lighter		1	
C.2524/2	Element only, for Cigar Lighter		1	
	Rev. Counter and Electric Clock (for Details see page 59)		1	
	Speedometer (for Details see pages 58 and 59)		1	
C.4617	Light, Warning, for Trafficators or Flasher Lights (Lucas 38048/A)		1	
C.4626	Bezel for Trafficator Warning Light (Lucas 305411)		1	
987	Bulb for Warning Lights (2.2 watt)		2	
C.5463	Switch for Interior Light (Lucas 31389—PS.7/2)		1	
C.5483	Knob for Interior Light Switch (Lucas 317515)		1	
C.4543	Switch, Rheostat, for Heater Motor (Lucas 78262/B)		1	
C.5485	Knob for Heater Motor Switch (Lucas 768473)		1	
C.4630	Eyelet for Switches operating Starter, Heater Motor and Panel Lights		3	
C.8395	INSTRUMENT PANEL ASSY. (LUCAS 30205/A)	J.15	1	Fitted to Chassis No. 667212 and subs. 678221 and subs.
C.2753	Ammeter (Lucas 36071/B—BM.4/L.54)	J.16	1	
C.5460	Switch, Rheostat, for Panel Lights (78218/D)	J.17	1	
C.5482	Knob, operating Panel Lights Switch (768913)	J.18	1	
C.5459	Switch, Ignition (31287—S.45)	J.19	1	
C.8396	Switch, Road Lights (31428/A—PRS.7)	J.20	1	
C.2762	Escutcheon for Road Lights Switch (304802)	J.21	1	
C.5481	Handle, operating Road Lights Switch (317603)	J.22	1	
C.4543	Switch, Rheostat, for Heater Motor (78262/B)	J.23	1	
C.5485	Knob, operating Heater Switch (768473)	J.24	1	
C.5462	Switch, Starter (31523/A—SF.9)	J.25	1	
C.5480	Knob on Starter Switch (317370)	J.26	1	
C.4522	Switch, Windscreen Wiper (31391/A)	J.27	1	
C.5484	Knob for Screen Wiper Switch (317602)	J.28	1	
C.2755	Warning Light for Ignition Switch (38020/A)	J.29	1	

ELECTRICAL

Part No.	Description	Plate No.	No. per Unit	Remarks
INSTRUMENT PANEL ASSEMBLY—continued				
C.4625	Bezel (IGN) for Ignition Warning Light (305414)	J.30	1	
C.4617	Warning Light for Trafficators (or Flashers) (38048/A)	J.31	1	
C.4626	Bezel (TRF) for Trafficators Warning Light (305411)	J.32	1	
C.4617	Bulb-Holder for Panel Lights (38048/A)		4	
987	Bulb for Warning Lights and Panel Lights		6	
BD.2411	Locking Barrel for Ignition Switch (WB.1 2646)	J.33	1	
C.2763	Eyelet for Road Lights Switch (304803)		1	
C.5465	Eyelet for Ignition Warning Light (312169)		1	
C.2769	Eyelet for Screen Wiper Switch (305132)		1	
C.4630	Eyelet for Switches operating Starter, Heater Motor and Panel Lights		3	
C.5463	Switch for Interior Light (31389—PS.7/2)	J.34	1	
C.5483	Knob for Interior Light Switch (317515)	J.35	1	
C.1431	Gauge, Oil Pressure and Thermometer (Smith X.42638/6)	J.36	1	
C.7131	Gauge, Petrol (Smith X.49422 202)	J.37	1	
	Speedometer (see pages 58 and 59)	J.38	1	
	Rev. Counter and Electric Clock (see page 59)	J.39	1	
C.2523	Lighter, Cigar (Thermostatic) complete	J.40	1	
C.2523/1	Body only for Cigar Lighter		1	
C.2524/2	Element only for Cigar Lighter		1	
C.2832	Connector for Instrument Panel Harness (998484)		1	
BD.1503/2	Screw, Wood, securing Instrument Panel		14	
C.5381	SPEEDOMETER, COMPLETE WITH WARNING LIGHT (CALIBRATED IN MILES) (SMITH X.51691/41)		1	SUITABLE FOR 3.77 : 1 SALISBURY AXLE
C.5382	SPEEDOMETER, COMPLETE WITH WARNING LIGHT (CALIBRATED IN KILOS) (SMITH X.51691/42)		1	SUITABLE FOR 3.77 : 1 SALISBURY AXLE
C.5383	SPEEDOMETER, COMPLETE WITH WARNING LIGHT (CALIBRATED IN MILES) (SMITH X.51691/37)		1	SUITABLE FOR 3.31 : 1 SALISBURY AXLE
C.5384	SPEEDOMETER, COMPLETE WITH WARNING LIGHT (CALIBRATED IN KILOS) (SMITH X.51691/38)		1	SUITABLE FOR 3.31 : 1 SALISBURY AXLE

ELECTRICAL

Part No.	Description	Plate No.	No. per Unit	Remarks
C.5389	SPEEDOMETER, COMPLETE WITH WARNING LIGHT (CALIBRATED IN MILES) (SMITH X.51691/35)		1	SUITABLE FOR 3.54:1 SALISBURY AXLE
C.5390	SPEEDOMETER, COMPLETE WITH WARNING LIGHT (CALIBRATED IN KILOS) (SMITH X.51691/36)		1	SUITABLE FOR 3.54:1 SALISBURY AXLE
C.5590 SK.80741/60 SK.80740	Cable, Flexible, complete (60" long) (Smith SK.52091/42) Cable, Inner only Cable, Outer only		1 1 1	
C.2775	REV. COUNTER AND ELECTRIC CLOCK (SMITH X.49035/5)		1	
HO.16456	Winder for Electric Clock		1	
C.5593 SK.52108/16 SK.52094 C.8272 SK.52108/16 SK.80750	Cable, Flexible, complete (16" long) (Smith X.80710/1) Cable, Inner, only Cable, Outer, only Cable, Flexible, complete (16" long) (Smith X.80710/2) Cable, Inner only Cable, Outer only		1 1 1 1 1 1	} Fitted from Chassis No. 667001 to 667242 677001 to 678304 } Fitted to Chassis No. 667243 and subs. 678305 and subs.
BD.826	BOOT LIGHT COMPLETE (LUCAS 56015/A—FML.2)		1	
532948 532949 256	Rim Assembly Window Bulb, Festoon	J.41 J.42 J.43	1 1 1	
C.2873 C.4073 C.4074 BD.2391 M.204/3R BD.1499/1	Switch for Boot Light (Lucas 31185—94L) Plate, Striking, for Boot Light Switch Plate, Packing, for Boot Light Switch Plate, Tapped, for Boot Light Switch Screw, Wood, for Boot Light fixing Screw, Wood, for Boot Light fixing	J.44	1 1 2 1 2 2	

ELECTRICAL

Part No.	Description	Plate No.	No. per Unit	Remarks
C.2625	HEADLAMP, L.H. (LUCAS 50778/A—PF.770)		1	} FITTED TO HOME MODELS ONLY
C.2625/1	HEADLAMP, R.H. (LUCAS 50779/A—PF.770)		1	
553620	Rim, Outer	J.45	2	
552796	Screw, securing Outer Rim	J.46	2	
552686	Rim, Inner	J.47	2	
553600	Light Unit	J.48	2	
552687	Wire, retaining Light Unit in Inner Rim	J.49	2	
552704	Ring for fixing of Headlamp	J.50	2	
552688	Ring, Sealing (Rubber) behind Fixing Ring	J.51	2	
553480	Backshell for Bulb	J.52	2	
302	Bulb for L.H. Headlamp (12 volt 48/48 watt)	J.53	1	
185	Bulb for R.H. Headlamp (12 volt 48 watt)		1	
858543	Adapter, Double Pole, for L.H. Headlamp	J.54	1	
858540	Adapter, Single Pole, for R.H. Headlamp		1	
C.2625	HEADLAMP (LUCAS 50778 A—PF.770)		2	FITTED TO R.H. DRIVE MODELS FOR EXPORT ONLY
858543	Adapter (Double Pole)		2	
302	Bulb (12 volt 48/48 watt)		2	
	All other Spares as for Headlamp C.2625.1			
C.2625/2	HEADLAMP (LUCAS 50778/A—PF.770)		2	FITTED TO L.H. DRIVE MODELS FOR EXPORT ONLY
303	Bulb (12 volt 48/48 watt)		2	
858543	Adapter (Double Pole)		2	
	All other Spares as Headlamp C.2625.1			
C.5474	HEADLAMP (LUCAS 057097—PF.770)		2	FITTED TO L.H. DRIVE MODELS FOR EXPORT TO NORWAY AND SWEDEN
350	Bulb (12 volt 35/35 watt)		2	
	All other Spares as Headlamp C.2625/1			
C.5507	HEADLAMP (LUCAS 057099—PF.770)		2	FOR EXPORT TO SWITZERLAND AND HOLLAND
370	Bulb (12 volt 45/40 watt)		2	
	All other Spares as Headlamp C.2625/1			

ELECTRICAL

Part No.	Description	Plate No.	No. per Unit	Remarks
C.2625/3	HEADLAMP (LUCAS 50781/B—PF.770)		2	FOR EXPORT TO CANADA AND U.S.A. ONLY
553614	Ring, fixing Rims		2	
553615	Ring, Sealing (Rubber) behind Fixing Ring		2	
553724	Adapter		2	
	All other Spares as Headlamp C.2625/1, except that Reflector is not supplied.			
C.5272	HEADLAMP (LUCAS 50780/A—PF.770EF)		2	FOR EXPORT TO FRANCE
372	Bulb (12 volt 45/36 watt, 3 pin)		2	
562303	Adapter for Bulb (3 pin)		2	
552942	Backshell Assembly		2	
	All other Spares as Headlamp C.2625/1			
C.2639	Switch, Dipping Headlamps (Lucas 31284/A—FS.22/1)	J.55	1	
C.2659	Cap (Rubber) over Dipper Switch (Lucas 360026)	J.56	1	
C.2837	Bracket, mounting Dipper Switch	J.57	1	
SIDELAMP				
C.7284	Casing (Shell)		2	
C.4554/1	Interior Assembly	J.58	2	
C.4549/2	Screw, securing Interior to Casing	J.59	2	
361	Bulb (12 volt 6/18 watt)	J.60	2	
C.4691	INDICATOR (RED) IN SIDELAMP CASING	J.61	2	
C.4098/2	Clip, Spring, securing Indicators	J.62	2	

ELECTRICAL

Part No.	Description	Plate No.	No. per Unit	Remarks
ITEMS REQUIRED WHEN "FLASHING INDICATORS" ARE FITTED				
C.4518	Double-Relay	J.63	1	
C.5230	Flasher-Unit (Tung Sol 241/D or 35003/A—FL.3)	J.64	1	
C.8400	Bracket, mounting Flasher Unit		1	
NS.125/4D	Screw, Set, securing Bracket		3	
NN.125/L	Nut on Setscrews		3	
C.724	Washer, Shakeproof, under Nuts		3	
C.2993/1	TAIL/STOP LAMP (LUCAS 052626/A-488)		2	
572734	Rim only	J.65	2	
572704	Glass only	J.66	2	
572703	Body only (Rubber)	J.67	2	
552101	Interior Assembly	J.68	2	
361	Bulb (12 volt 6/18 watt)		2	
AS.304/3H	Screw, Set, for Tail Lamp mounting		6	
C.721	Washer, Shakeproof, on Setscrews		6	
BD.4529	Housing for L.H. Tail/Stop Lamp		1	
BD.4530	Housing for R.H. Tail/Stop Lamp		1	
BD.4550	Stud for Housings		6	
BD.2964	Seal (Rubber) for Housings		2	
C.2701 218	Switch, Stop Light (Lucas 03800)	J.69	1	} FITTED TO L.H. DRIVE CARS ONLY
C.2520	Cable, connecting Stop Light Switch		1	
C.2783	Sleeve for Stop Light Switch Cable		1	
C.2838	NUMBER PLATE ILLUMINATION AND REVERSE LAMP (LUCAS 53159/A-469)	J.70	1	
572347	Cover, complete with Window	J.71	1	
572328	Window only		1	
572326	Beading (Rubber)	J.72	1	
989	Bulb (12 volt 6 watt) for Number-Plate illumination		2	
221	Bulb (12 volt 18 watt) for Reverse Lamp		1	
C.1083	Switch for Reverse Lamp (Lucas 31077/B—SS.10:LS)		1	
C.4531	Gasket for Reverse Lamp Switch (Lucas 163682)		1	

ELECTRICAL

Part No.	Description	Plate No.	No. per Unit	Remarks
C.2828	HORN (LOW NOTE) (LUCAS 69032—WT.29U)	J.73	1	
C.2827	HORN (HIGH NOTE) (LUCAS 69033—WT.29U)	J.73	1	
690741	Contact, Set		2	
690617	Bracket		2	
600805	Cover		2	
C.4550	Grommet for Horns (Lucas 690995)		2	
C.2947	Bracket, mounting Horns		2	
NS.125/7D	Screw, Set, securing Horns to Brackets		4	
NN.125/L	Nut on Setscrews		4	
NB.131/7D	Bolt, securing Brackets		4	
NN.131/L	Nut on Bolts		4	
C.4532	RELAY BOX FOR HORNS (LUCAS 33135/B—SB.40/I)		1	
C.4514	STEERING COLUMN CONTROL (LUCAS 32847)		1	
322167	Horn-Push Assembly	J.74	1	
322166	Spring, Return, for Horn-Push	J.75	3	
321824	Contacts Assembly for Horn-Push	J.76	1 pair	
322168	Rim (Chromium Plated) and Base Assembly	J.77	1	
323438	Switch Assembly for Trafficators (less Lever)	J.78	1	
324527	Cam, Pawls and Springs for Indicator Switch	J.79	1 set	
322150	Plunger for Cam	J.80	1	
324655	Lever, operating Indicator Switch	J.81	1	
324659	Stator Plate and Sleeve Assembly	J.82	1	
323418	Stator Tube	J.83	1	
C.5231	WINDSCREEN WIPER (LUCAS 072894—CRT.14)		1	
75143/A	Motor only	J.84	1	
739731	Armature		1	
729367	Brush (supplied in set of 2)		1 set	
741556	Cover, End (Bakelite)		1	
72630	Wheelbox Assembly	J.85	2	
736360	Drive, Flexible (Inner Cable) (31 $\frac{5}{16}$" long)	J.86	1	
739855	Casing, Outer (15 $\frac{1}{8}$" long)	J.87	1	
739933	Casing, Outer (11 $\frac{5}{16}$" long)	J.88	1	
740031	Casing, Outer (3" long)	J.89	1	
734458	Grommet on Wheelbox Spindles	J.90	2	

ELECTRICAL

Part No.	Description	Plate No.	No. per Unit	Remarks
WINDSCREEN WIPER—continued				
737624	Arm only, R.H.	J.91	1	
737625	Arm only, L.H.	J.92	1	
741680	Blade only (Moulded Type)	J.93	2	
C.5224	Bracket, mounting Wheelboxes	J.94	1	
AS.502/4H	Screw, Set, securing Bracket		4	
AN.102/L	Nut on Setscrews		4	
C.723	Washer, Shakeproof, under Nuts		4	
AS.302/6H	Screw, Set, securing Wheelboxes		4	
AW.102/T	Washer, Plain, on Setscrews		8	
AN.102/L	Nut on Setscrews		4	
C.723	Washer, Shakeproof, under Nuts		4	
C.2670	Bracket, mounting Screen Wiper Motor to Scuttle	J.95	1	
FS.204/3D	Screw, Set, securing Bracket		4	
FN.104/L	Nut on Setscrews		4	
C.724	Washer, Shakeproof, under Nuts		4	
C.2767	BATTERY (LUCAS 4022207F— STGW.IIE)		2	
C.2768	Lid for Battery (Lucas 4159052)		2	
C.2855/3	Rod, fixing Battery Lid (Lucas 5.3022.3A)		4	
C.2855/2	Nut on Rod (Lucas 5.2122.4)		4	
C.2855/1	Sleeve-Nut on Rod (Lucas 52017.5B)		4	
C.2778	Cable, Battery (Positive to Earth) (Lucas 810709)		1	
C.2833	Cable, Battery (Positive to Negative) (Lucas 810321)		1	
C.2834/1	Cable, Battery (Negative) (Lucas 860087)		1	
C.2609	Screw, securing Cables to Batteries (Lucas 186111)		4	
C.2799/1	BODY HARNESS (LUCAS 994611/B)		1	FITTED TO R.H. DRIVE CARS ONLY
C.2800	BODY HARNESS (LUCAS 994651/A)		1	FITTED TO L.H. DRIVE CARS ONLY
C.7129	PANEL HARNESS		1	FITTED TO R.H. DRIVE CARS ONLY
C.7130	PANEL HARNESS		1	FITTED TO L.H. DRIVE CARS ONLY

ELECTRICAL

Part No.	Description	Plate No.	No. per Unit	Remarks
C.5213	CHASSIS HARNESS (LUCAS 994601/K)		1	FITTED TO R.H. DRIVE CARS ONLY
C.5214	CHASSIS HARNESS (LUCAS 994641/J)		1	FITTED TO L.H. DRIVE CARS ONLY
C.2831/1	LUGGAGE BOOT HARNESS (LUCAS 994631/B)		1	FITTED TO L.H. AND R.H. DRIVE CARS
C.5274	HARNESS FOR FLASHER UNIT		1	FITTED TO R.H. DRIVE CARS ONLY
C.5275	HARNESS FOR FLASHER UNIT		1	FITTED TO L.H. DRIVE CARS ONLY

ELECTRICAL CABLES

C.2770	Cable (Petrol Pump) (Lucas 859386)		1	FITTED TO L.H. DRIVE CARS ONLY
C.2610	Cable (Solenoid to Starter) (Lucas 999618)		1	
C.5323	Cable (Coil to Distributor) (Lucas 999145)		1	
C.2884	Cable (Carburettor Solenoid to Earth) (Lucas 859389)		1	
C.5241	Cable for L.H. Side Lamp		1	
C.5242	Cable for R.H. Side Lamp		1	
C.5511	Cable for Interior Lights		1	
C.5246	Cable for Interior Lights Switch		1	
C.2520	Cable for Stop Light Switch		1	
C.5512	Connector for Interior Light Cable		1	
C.5464	Connector for Instrument Panel		1	

ELECTRICAL EARTH LEADS

C.2612	Earth Lead from Engine to Frame and from Body to Engine (Lucas 859340)		2
C.2895	Earth Lead for Petrol Pumps		1
C.5204	Terminal, Earth, for Lamps (Lucas 860019)		1

ELECTRICAL

Part No.	Description	Plate No.	No. per Unit	Remarks
CABLE CLIPS FOR L.H. DRIVE CARS ONLY				
C.1040/6	Clip , securing Dipper Switch Cables		2	
C.1040/8	Clip , securing Panel Harness (Fuse Box End)		1	
C.1040/17	Clip , securing Starter Cable		2	
C.1543/6	Clip , securing Panel Harness (at each end)		2	

GROMMETS

513	Grommet for Oil and Thermometer Pipes (through Scuttle)		1	
C.974	Grommet for Reverse Light Switch, Number Plate illumination and Petrol Pump Cables		4	
C.975	Grommet for Petrol Pump Cable		1	
C.977	Grommet for Rear Bumper Studs and Speedometer Cable		3	
C.1426	Grommet for Petrol Pump Cable, Panel Harness (Centre) and in Panel		7	
C.2706	Grommet for Body Harness, Rev. Counter, Speedometer, Starter and Petrol Tank Cables		5	
C.2707	Grommet for Panel Harness (R.H. side of Scuttle) Starter, Headlamp and Battery Cables		7	
C.2708	Grommet for Panel Harness (L.H. side of Scuttle)		1	
C.2850	Grommet for Sidelamp Wires		2	

ELECTRICAL

Part No.	Description	Plate No.	No. per Unit	Remarks
----------	-------------	-----------	--------------	---------

CABLE SLEEVES

C.2783	Sleeve for Headlamp Cables (Lucas 859300)		4	
C.2806	Sleeve for Sidelamp Cables (Lucas 859321)		1	

CABLE CLIPS FOR L.H. AND R.H. DRIVE CARS

C.1071/2	Clip, securing Body Harness (Junction Box End)		1	
C.1069/1	Clip, securing Body Harness (Junction Box End)		2	
C.1040/17	Clip, securing Body Harness (Rear Connector)		1	
C.1040/9	Clip, securing Body Harness (Rear Connector)		3	
C.1040/2	Clip, securing Reverse Light Switch Cable		1	
C.1040/9	Clip, securing Petrol Tank Cable		3	
C.2956	Clip, securing Carburettor Solenoid, Oil Level Switch and Coil Connector Cables		4	
C.2796	Clip, securing Sidelamp Cables		1	
C.1543/4	Clip, securing Chassis Harness to L.H. Side Member and Cross Member of Chassis Frame, also R.H. Horn Cable to R.H. Side Member		11	
C.1040/2	Clip, securing Chassis Harness to Cross Member		2	
C.2796	Clip, securing R.H. Headlamp Cable		1	
C.2797	Clip, securing L.H. Headlamp Cable		1	
BD.328	Clip, securing Sidelamp Cables		2	
C.1040/8	Clip, securing Dynamo Cable		1	
C.1071/2	Clip, securing Dynamo Cable		2	
C.1040/17	Clip, securing Boot Harness		1	
C.1040/6	Clip, securing Boot Harness, L.H. and R.H. Stop Tail Lamp Cables		5	
C.2888	Clip, securing L.H. Stop Tail Lamp Cable		4	
C.2711	Clip, securing Speedometer Cable to Clutch Housing Cover Plate		1	

CABLE CLIPS FOR R.H. DRIVE CARS ONLY

C.1040/6	Clip, securing Stop Light Switch Cable		1	
C.1040/9	Clip, securing Sidelamp Cables		2	
C.1040/16	Clip, securing Panel Harness		3	
C.1040/17	Clip, securing Dipper Switch Cable		2	

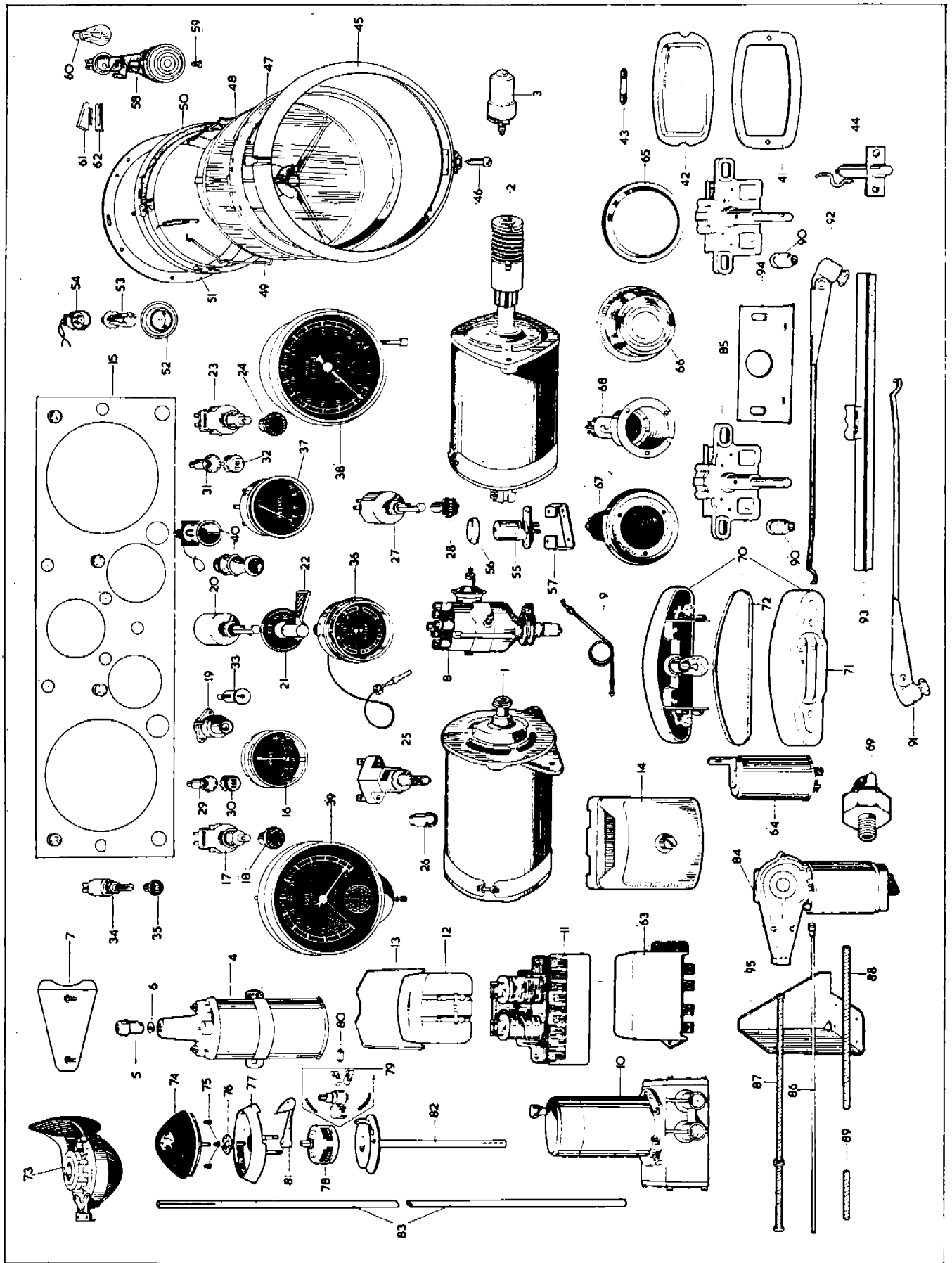


PLATE J.

LIST OF EXTRAS

Part No.	Description	Plate No.	No. per Unit	Remarks
C.5612	CAR RADIO ASSY. (RADIOMOBILE CMK. 2155) (CONSISTING OF RECEIVER UNIT, POWER UNIT, AERIAL, Etc.)		1	LONG/MEDIUM WAVE BAND
C.5363	Receiver Unit (RMH 4200 Vat)		1	
C.5364	Power Unit (RMH 46028/B)		1	
C.5365	Aerial (complete with 45° Lead-in) (AW 371/1)		1	
C.5611	Loudspeaker (RMH 47785/H)		1	
C.5615	Lead for Loudspeaker connection (RMR 5032/S)		1	
C.5610	Gauze (9" x 9") (RMO 1547)		1	
C.5367	Condenser (Coil) (RMO 1A/T.1)		1	
C.5368	Condenser (Dynamo) (RMO 1A/T.2)		1	
C.4607	Condenser (Distributor) (RMO 2)		1	
	NOTE.—Car Radio C.5612 is suitable for use in the following Countries:— Austria, Belgium, British Isles, Czechoslovakia, Finland, France, Germany, Holland, Italy, Madeira, Norway, Roumania, Sweden, Switzerland.			
C.5613	CAR RADIO ASSY. (RADIOMOBILE CMK 2157) (CONSISTING OF RECEIVER UNIT, POWER UNIT, AERIAL, Etc.)		1	MEDIUM WAVE BAND.
C.5370	Receiver Unit (RMH 4202 Vat)		1	
	All other Components as for C.5612.			
	NOTE.—Car Radio C.5613 is suitable for use in the following Countries: Argentina, Australia, Bahamas, Canada, Cuba, French Morocco, Gibraltar, Greece, New Zealand, Portugal, Puerto Rico, Spain, Tangiers, U.S.A., Union of South Africa.			
C.5614	CAR RADIO ASSY. (RADIOMOBILE CMK 2159) (CONSISTING OF RECEIVER UNIT, POWER UNIT, AERIAL, Etc.)		1	SHORT/MEDIUM WAVE BAND
C.5373	Receiver Unit (RMH 4300 VZB)		1	
C.8306	Suppressor for Sparking Plugs		6	
	All other Components as for C.5612.			

LIST OF EXTRAS

Part No.	Description	Plate No.	No. per Unit	Remarks
CAR RADIO ASSEMBLY—continued				
NOTE.—Car Radio C. 5614 is suitable for use in the following Countries:				
Aden, Algeria, Argentine, Australia, Bahrein, Belgian Congo, Bolivia, Burma, Brazil, Ceylon, China, Chile, Colombia, Cyprus, Dutch West Indies, Egypt, French Morocco, French West Indies, Gambia, Gold Coast, Guatemala, Guiana, Hawaii, Hong Kong, India, Indonesia, Iran, Iraq, Jamaica, Japan, Jordan, Kenya, Kuwait, Libya, Lebanon, Madagascar, Malaya, Malta, Mauritius, Mexico, Morocco, New Zealand, Nigeria, Norway, Nyasaland, Pakistan, Palestine, Panama, Peru, Portugal, Rhodesia, Saudi Arabia, Siam, Spain, Sudan, Sweden, Syria, Tanganyika, Venezuela, Turkey, Portuguese East Africa, Union of South Africa, Zanzibar.				
C.5367	Condenser (RMO IA/TI) for Petrol Pump		1	
C.4612	Condenser (RMO IE) for Electric Clock		1	
BD.7705	BRACKET ASSEMBLY MOUNTING RECEIVER UNIT		1	
C.5608	GAUZE, OVER LOUD SPEAKER APERTURES IN PARCEL BOX LID		2	
C.5609	GAUZE FOR RESONANCE HOLES IN FRONT PANEL OF PARCEL BOX		2	
BD.1502/2	Screw, Wood, securing Loudspeakers to Parcel Box Lid		8	
C.1040/13	Clip, securing Lead for Loudspeakers		4	
BD.1229/1	Screw, Self-Tapping, securing Clips		4	
C.975	Grommet for Cable exit on Side Frame under Scuttle structure (Lucas 858063)		1	
NS.125/5D	Screw, Set, securing Power Unit		4	
NN.125/L	Nut on Setscrews		4	
C.724	Washer, Shakeproof, under Nuts		4	
C.1040/17	Clip, securing Connector Cable for Receiver and Power Units		3	
BD.538/7	Screw, Self-Tapping, securing Clips		3	
BD.9586	SUIT CASES (TWO PER SET, SHAPED TO FIT LUGGAGE COMPARTMENT)		1 pair	

LIST OF EXTRAS

Part No.	Description	Plate No.	No. per Unit	Remarks
C.5660	EXTERIOR LUGGAGE RACK (TO FIT LUGGAGE COMPARTMENT LID)		1	
C.2988	FOG LAMP (LUCAS 053135/A— SFT.700/S)			see remarks 1 off or 2 off as required.
C.2985	Bracket, mounting Fog Lamp on R.H. side of Car		1	
C.2986	Bracket, mounting Fog Lamp on L.H. side of Car		1	
C.2744	Switch, operating Fog Lamps (Lucas 031216)		1	
C.976	Grommet for Fog Lamp Cables			see remarks 1 required if 1 Lamp is fitted.
C.1071/2	Clip, retaining Cables			see remarks 2 required if 2 Lamps are fitted. 3 required if 1 Lamp is fitted. 6 required if 2 Lamps are fitted.
C.4086	Cable for Fog Lamp (Red/Green, 4 ft. long)		1	} Required when 1 Lamp is fitted to R.H. DRIVE CARS.
C.4087	Cable for Fog Lamp (Red/Black, 12 ft. long)		1	
C.4091	Cable for Fog Lamp (Red/Green, 2 ft. long)		1	} Required when 1 Lamp is fitted to L.H. DRIVE CARS.
C.4092	Cable for Fog Lamp (Red/Black, 8 ft. long)		1	
C.4088	Sleeve for Cables (4 ft. long)		1	} Required when 1 Lamp is fitted. Required when 2 Lamps are fitted to R.H. DRIVE CARS.
C.4086	Cable for Fog Lamp (Red/Green, 4 ft. long)		1	
C.4089	Cable for Fog Lamp (Red/Black, 21 ft. long)		1	} Required when 2 Lamps are fitted to L.H. DRIVE CARS.
C.4091	Cable for Fog Lamp (Red/Green, 2 ft. long)		1	
C.4093	Cable for Fog Lamp (Red/Black, 20 ft. long)		1	} Required when 2 Lamps are fitted. L.H. DRIVE CARS.
C.4090	Sleeve for Cables (8 ft. long)		1	
C.8215	MAIN PETROL TANK FOR USE WHEN FITTING AN ADDITIONAL AUXILIARY TANK		1	
	NOTE.—If an Auxiliary Petrol Tank is required, Main Tank C.8215 replaces the Standard Petrol Tank C.6765.			
C.4359	AUXILIARY PETROL TANK		1	
C.4370	Pipe, Intermediate Air Vent (from Auxiliary to Main Tanks)		1	
C.4371	Tube (Rubber) connecting Air Vent Pipes		1	
BD.3221	Tube (Rubber) connecting Air Vent Pipes		1	
C.4173	HOSE, CONNECTING AUXILIARY AND MAIN PETROL TANKS		2	
C.823	Clip, securing Hoses to Tanks		4	

LIST OF EXTRAS

Part No.	Description	Plate No.	No. per. Unit	Remarks
C.4367	STRAPS, SECURING AUXILIARY PETROL TANK		2	
C.4175/1	Washer, Special, for Tank Straps		4	
NB.131/16D	Bolt, securing Tank Straps		4	
NN.131/L	Nut on Bolts		4	
C.740	Washer, Shakeproof, under Nuts		4	
C.4368	Felt ($1\frac{1}{2} \times \frac{1}{8} \times 27$) under Tank Straps		2	
C.4369	Felt (14×31) under Auxiliary Tank		1	