

FUEL AND EXHAUST SYSTEMS

Part No.	Description	Plate No.	No. per Unit	Remarks
SINGLE EXHAUST SYSTEM FITTED TO STANDARD EQUIPMENT MODELS				
C.9137	DOWN PIPE ASSEMBLY FROM EXHAUST MANIFOLDS TO SILENCER	AF.27	1	
C.3523/2	Pipe, Flexible, on Down Pipe	AF.27A	1	
C.9130	EXHAUST SILENCER	AF.28	1	
C.3285	Clip, securing Down Pipe to Silencer	AF.29	1	
NB.131/23D	Bolt, Clamp, through Clip	AF.30	1	
NN.131/L	Nut on Bolt	AF.31	1	
FW.105/T	Washer, Plain, on Bolt	AF.32	2	
1363	RUBBER MOUNTING FOR SUSPENSION OF SILENCER TO CHASSIS FRAME	AF.33	2	
NS.131/6D	Screw, Set, securing Mountings to Chassis Frame		2	
C.725	Washer, Shakeproof, on Setscrews		2	
NS.131/6D	Screw, Set, securing Silencer to Mountings		2	
FW.105/T	Washer, Plain, on Setscrews		2	
NN.131/L	Nut on Setscrews		2	
C.725	Washer, Shakeproof, under Nuts		2	
C.7610	TAIL PIPE ASSEMBLY	AF.34	1	

FUEL AND EXHAUST SYSTEMS

Part No.	Description	Plate No.	No. per Unit	Remarks
C.8397	RUBBER MOUNTING FOR SUSPENSION OF TAIL PIPE TO CHASSIS FRAME	AF.35	1	
NS.131/6D	Screw, Set, securing Mounting to Chassis Frame and Tail Pipe to Mounting		5	
FW.105/T	Washer, Plain, on Setscrews		5	
NN.131/L	Nut on Setscrews		5	
C.725	Washer, Shakeproof, under Nuts		5	

FUEL AND EXHAUST SYSTEMS

Part No.	Description	Plate No.	No. per Unit	Remarks
DUAL EXHAUST SYSTEM FITTED TO ALL SPECIAL EQUIPMENT MODELS				
C.7534	DOWN PIPE ASSEMBLY FROM FRONT EXHAUST MANIFOLD TO L.H. SILENCER	AF.36	1	
C.7534/2	Pipe, Flexible, on Front Down Pipe	AF.36A	1	
C.7536	DOWN PIPE ASSEMBLY FROM REAR EXHAUST MANIFOLD TO R.H. SILENCER	AF.37	1	
C.7536/2	Pipe, Flexible, on Rear Down Pipe	AF.37A	1	
C.7607	EXHAUST SILENCER AT L.H. SIDE OF CHASSIS FRAME	AF.38	1	
C.7539	EXHAUST SILENCER AT R.H. SIDE OF CHASSIS FRAME	AF.39	1	
C.3284	Clip, securing Down Pipes to Silencers	AF.40	2	
NB.131/22D	Bolt, Clamp, through Clips	AF.41	2	
NN.131/L	Nut on Bolts	AF.42	2	
FW.105/T	Washer, Plain, under Nuts	AF.43	2	
1363	RUBBER MOUNTING FOR SUSPENSION OF SILENCERS TO CHASSIS FRAME	AF.44	4	
NS.131/6D	Screw, Set, securing Mountings to Chassis Frame		4	
C.725	Washer, Shakeproof, on Setscrews		4	
NS.131/6D	Screw, Set, securing Silencers to Mountings		4	
FW.105/T	Washer, Plain, on Setscrews		4	
NN.131/L	Nut on Setscrews		4	
C.725	Washer, Shakeproof, under Nuts		4	

FUEL AND EXHAUST SYSTEMS

Part No.	Description	Plate No.	No. per Unit	Remarks
C.7610	TAIL PIPE ASSEMBLY AT L.H. SIDE OF CHASSIS FRAME	AF.45	1	
C.7540	TAIL PIPE ASSEMBLY AT R.H. SIDE OF CHASSIS FRAME	AF.46	1	
C.8397	RUBBER MOUNTING FOR SUSPENSION OF TAIL PIPES TO CHASSIS FRAME	AF.47	2	
NS.131/6D	Screw, Set, securing Mounting to Chassis Frame and Tail Pipes to Mountings		10	
FW.105/T	Washer, Plain, on Setscrews		10	
NN.131/L	Nut on Setscrews		10	
C.725	Washer, Shakeproof, under Nuts		10	

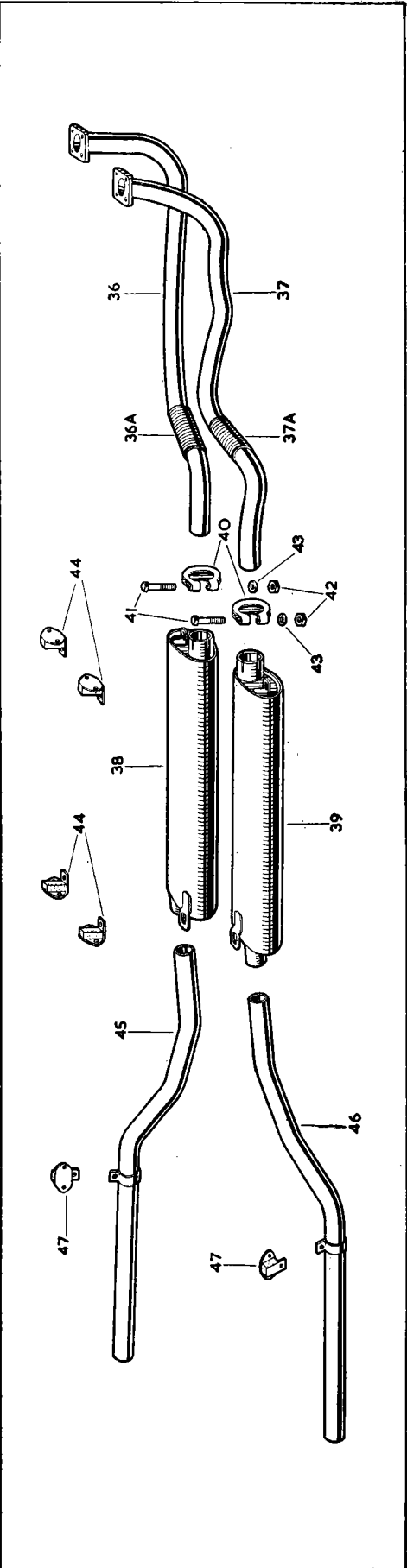
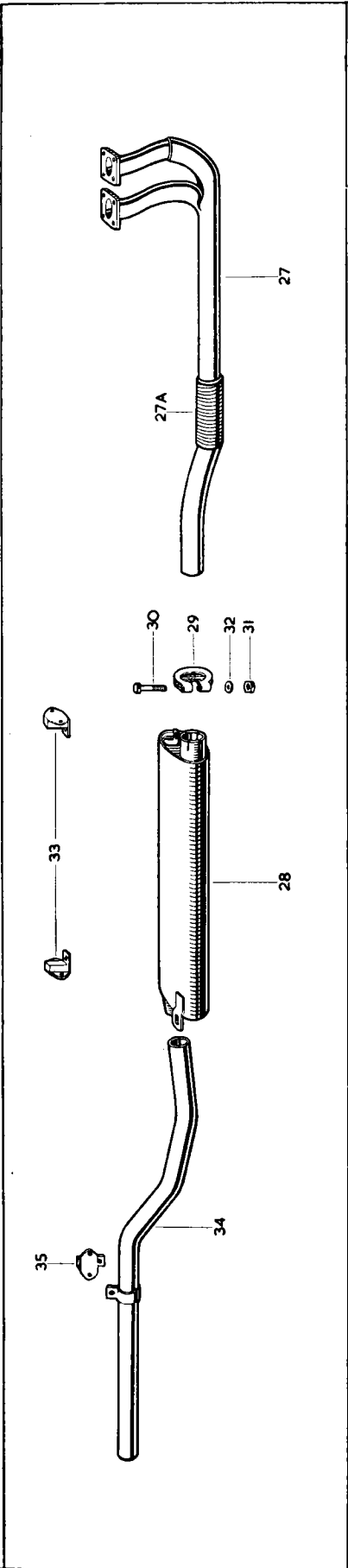
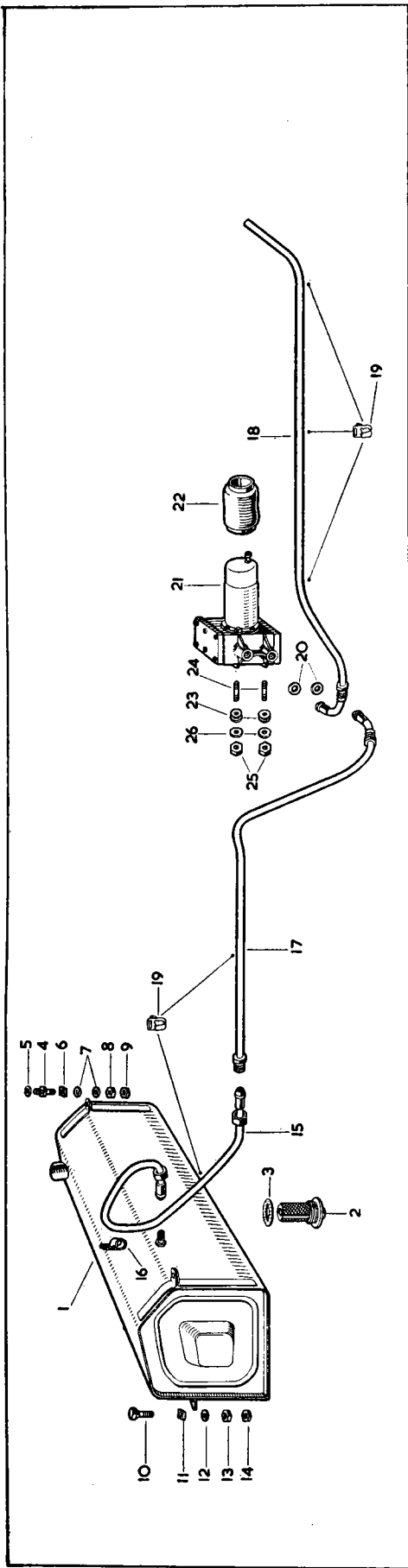


PLATE AF