

# CARBURETTERS

FOR XK 150 MODELS ONLY

Part No.	Description	Plate No.	No. per Unit	Remarks
C.14380	<b>FRONT CARBURETTER, COMPLETE (HD.6)</b>	8- 1	1	} Fitted from Chassis No. 820001 to 820016 830001 to 831898 824001 to 824741 834001 to 835934 827001 to 827271 837001 to 837940
C.14381	<b>REAR CARBURETTER, COMPLETE (HD.6)</b>	8- 2	1	
7089	Body only for Front Carburetter (AUC.8245)	8- 3	1	
7088	Body only for Rear Carburetter (AUC.8244)		1	
7090	Adaptor for Ignition Union on Front Carburetter (AUC.2044)	8- 4	1	
7091	Gasket under Adaptor (AUC.2014)	8- 5	1	
5618	Screw, securing Adaptor to Front Carburetter Body (AUC.2175)		2	
7105	Washer, Shakeproof, on Screws (AUA.4643)		2	
7106	Ignition Union (AUC.4490)	8- 6	1	
7069	Suction Chamber Assembly (AUC.8073) (comprising Suction Chamber and Piston)	8- 7	2	
7093	Screw, holding Jet Needle in Piston (AUC.2057)		2	
6961	Damper Assembly in Suction Chamber (AUC.8102)	8- 8	2	
7095	Washer for Damper (AUC.4900)	8- 9	2	
7094	Spring, assisting return of Piston (AUC.4387)	8-10	2	
7038	Skid Washer, under Spring, at bottom of Piston (AUC.3071)	8-11	2	
7096	Screw, securing Suction Chamber to Carburetter (AUC.2175)		6	
7097	Jet Needle (TL)	8-12	2	
6957	Jet Assembly (AUC.8155) (comprising Jet Unit with Diaphragm and Cup)	8-13	2	
6958	Jet Bearing (AUC.2001)	8-14	2	
6959	Nut, locking Jet (AUC.2002)	8-15	2	
6960	Spring under Diaphragm (AUC.2006)	8-16	2	
7873	Housing Assembly for Jet Unit (AUC.8221)	8-17	2	
6993	Float Chamber Assembly for Rear Carburetter (AUC.2009)		1	
7114	Float Chamber Assembly for Front Carburetter (AUC.2088)	8-18	1	
7115	Bolt, securing Float Chamber and Jet Housing to Carburetter (AUC.2110)		8	
7105	Washer, Shakeproof, on Bolts (AUA.4643)		8	
7116	Lid for Float Chamber on Rear Carburetter (AUC.4260)		1	
7117	Lid for Float Chamber on Front Carburetter (AUC.4261)	8-19	1	
1090	Float (AUC.1123)	8-20	2	
6970	Needle and Seat, controlling petrol flow to Float Chamber (AUC.8170)	8-21	2	
7118	Lever, operating Float Needle (AUC.1980)	8-22	2	
1153	Knurled Pin, securing Lever to Float Chamber Lid (AUC.1152)	8-23	2	
7119	Gasket under Float Chamber Lid (AUC.1147)	8-24	2	
5832	Cap Nut, securing Lid to Float Chamber (AUC.1867)	8-25	2	
1298	Serrated Washer (Fibre) on Cap Nut adjacent to Lid (AUC.1928)	8-26	2	
7120	Alum Washer on Cap Nut (AUC.1557)	8-27	2	
479	Filter in Inlet connection on Float Chamber (AUC.2139)	8-28	2	
C.11488	Banjo Bolt, securing Feed Pipe to Float Chamber Lid (AUC.2698)	8-29	2	
C.11489	Washer (Fibre) on Banjo Bolt (AUC.2141)	8-30	4	
7962	Thermostat Body Assembly on Front Carburetter (AUC.8961)	8-31	1	

# CARBURETTERS

FOR XK 150 MODELS ONLY

Part No.	Description	Plate No.	No. per Unit	Remarks
<b>CARBURETTER (HD.6) (continued)</b>				
7963	<b>Acceleration Needle Assembly</b> (AUC.8129)	8-32	1	
6956	<b>Spring</b> for Acceleration Needle (AUC.1041)	8-33	1	
7121	<b>Jet</b> for Acceleration Needle (AUC.4759)	8-34	1	
7123	<b>Spring Finger</b> , holding Acceleration Needle after adjustment (AUC.3139)	8-35	1	
6955	<b>Dust Shield</b> for Thermostat Body (AUC.1054)	8-36	1	
7124	<b>Screw</b> , securing Acceleration Needle to Thermostat Body (AUA.1453)	8-37	2	
1617	<b>Washer</b> , Double Coil Spring, on Screws (AUC.3003)	8-38	2	
6876	<b>Solenoid Assembly</b> for Acceleration Needle (AUC.8177) (including Moulded Cap, Securing Strap, Screw, Valve Plunger, and Spring)	8-39	1	
7122	<b>Spring Clip</b> for Solenoid Terminals (AUC.4871)	8-40	2	
7125	<b>Bracket</b> , fixing Thermostat Body to Front Carburetter (AUC.2085)	8-41	1	
7126	<b>Connecting Arm</b> for attachment of Solenoid Body to Carburetter (AUC.2087)	8-42	1	
C.11488	<b>Banjo Bolt</b> , securing Connecting Arm and Bracket to Thermostat Body (AUC.2698)	8-43	1	
7129	<b>Washer</b> (Fibre) at each side of Bracket to Thermostat Body (AUC.4753)	8-44	2	
C.11489	<b>Washer</b> (Fibre) on Banjo Bolt to Thermostat Body (AUC.2141)	8-45	1	
7127	<b>Banjo Bolt</b> , securing Connecting Arm to Carburetter (AUC.2086)	8-46	1	
7128	<b>Washer</b> (Fibre) between Connecting Arm and Carburetter (AUC.2089)	8-47	1	
7120	<b>Washer</b> (Alum) between head of Banjo Bolt and Connecting Arm (AUC.1557)	8-48	1	
6967	<b>Valve</b> for slow-running adjustment (AUC.2028)	8-49	2	
6966	<b>Spring</b> for Slow-run Valve (AUC.2027)	8-50	2	
6968	<b>Gland Washer</b> (Neoprene) on Slow-run Valve (AUC.2029)	8-51	2	
6969	<b>Washer</b> (Brass) at top of Gland Washer (AUC.2030)	8-52	2	
7964	<b>Throttle Spindle</b> on Front Carburetter (AUC.8422)		1	
7965	<b>Throttle Spindle</b> on Rear Carburetter (AUC.8423)		1	
1730	<b>Throttle Disc</b> (Butterfly) (AUC.3280)		2	
7046	<b>Screw</b> , securing Throttle Disc to Spindle (AUC.1358)		4	
7101	<b>Stop</b> for Throttle (AUC.2079)		1	
7050	<b>Taper Pin</b> , securing Stop to Throttle Spindle (AUC.2106)		1	
7107	<b>CONNECTING ROD BETWEEN CARBURETTERS</b> (AUC.2411)	8-53	1	
C.14371	<b>LEVER ON CARBURETTER SPINDLES, FOR THROTTLE RETURN SPRING ANCHORAGE</b> (AUC.8405)	8-54	2	
5803	<b>Bolt</b> through Lever (AUC.2694)		2	
5614	<b>Nut</b> on Bolt (AUC.2156)		2	
7966	<b>Washer</b> under Nut (AUC.8396)		2	

# CARBURETTERS

FOR XK 150 MODELS ONLY

Part No.	Description	Plate No.	No. per Unit	Remarks
4833	<b>COUPLING BETWEEN CONNECTING ROD AND CARBURETTER SPINDLES (AUC.4334)</b>	8-55	2	
5801	<b>Bolt, securing Coupling (AUC.2669)</b>		4	
673	<b>Nut on Bolts (AUC.2673)</b>		4	
4612	<b>Washer, under Nuts (AUC.4612)</b>		4	
C.14614	<b>OUTRIGGER SHAFT, CONNECTING REAR CARBURETTER SPINDLE TO THROTTLE CONTROLS</b>	8-56	1	
C.14386	<b>LEVER ASSEMBLY CONNECTING OUTRIGGER SHAFT TO THROTTLE CONTROL ROD</b>	8-57	1	
4833	<b>COUPLING BETWEEN REAR CARBURETTER SPINDLE AND OUTRIGGER SHAFT (AUC.4334)</b>	8-58	1	
5801	<b>Bolt securing Coupling (AUC.2669)</b>		2	
673	<b>Nut on Bolts (AUC.2673)</b>		2	
4812	<b>Washer under Nuts (AUC.4612)</b>		2	
C.7461	<b>INSULATORS BETWEEN CARBURETTERS AND INLET MANIFOLD</b>	8-59	2	
C.2368	<b>Gasket at each side of Insulators</b>	8-60	4	

# CARBURETTERS

## FOR XK 150 MODELS ONLY

Part No.	Description	Plate No.	No. per Unit	Remarks
C.12280	<b>OVERFLOW PIPE FROM FLOAT CHAMBER LID</b>	8-61	2	
C.15992	Clip, securing Overflow Pipes	8-62	1	
C.12336	<b>SUCTION PIPE FROM FRONT CARBURETTER TO DISTRIBUTOR VACUUM CONTROL</b>	8-63	1	Fitted from Chassis No. 820001 to 820016 830001 to 831898 824001 to 824741 834001 to 835934 827001 to 827271 837001 to 837940
C.12812	<b>PETROL FEED PIPE ASSEMBLY LINKING CARBURETTERS</b>	8-64	1	Fitted from Chassis No. 820001 to 820016 830001 to 831898 824001 to 824741 834001 to 835934 827001 to 827271 837001 to 837940
C.11575	Olive on Petrol Pipe		1	
C.11576	Nut, securing Petrol Pipe to Flexible Pipe		1	
C.3629	<b>FLEXIBLE PETROL PIPE FROM CARBURETTER LINK PIPE TO FEED PIPE</b>	8-65	1	
C.14364	<b>BRACKET ASSEMBLY, ON CARBURETTERS, ANCHORING RETURN SPRING</b>	8-66	2	
C.14366	<b>THROTTLE RETURN SPRING FROM LEVERS ON CARBURETTERS TO ANCHOR BRACKETS</b>	8-67	2	

# CARBURETTERS

FOR XK 150 MODELS ONLY

Part No.	Description	Plate No.	No. per Unit	Remarks
C.13268	<b>BRACKET, BETWEEN CARBURETTERS, MOUNTING THROTTLE SWITCH</b>		1	<b>FOR USE ONLY WHEN AUTOMATIC TRANSMISSION OR OVERDRIVE UNIT IS FITTED AT CHASSIS No.</b> 820001 to 820016 830001 to 831898 824001 to 824741 834001 to 835934 827001 to 827271 837001 to 837940
C.12473	<b>Stud for fixing of Throttle Switch Bracket to Manifold</b>		1	<b>REQUIRED ONLY WHEN AUTOMATIC TRANSMISSION IS FITTED.</b>
UFN.131/L	<b>Nut, securing Bracket</b>		1	
FG.105/X	<b>Washer, Spring, under Nut</b>		1	
NN.119/L	<b>Nut securing Throttle Switch to Bracket</b>		2	
AW.102/T	<b>Washer, under Nuts</b>		2	
C.14372	<b>LEVER, ON CONNECTING ROD, FOR THROTTLE SWITCH (AUC.8215)</b>		1	<b>FOR USE ONLY WHEN AUTOMATIC TRANSMISSION OR OVERDRIVE UNIT IS FITTED.</b>
C.14387	<b>LEVER, CONNECTING OUTRIGGER SHAFT TO KICK DOWN ROD (AUC.3125)</b>		1	<b>FOR USE ONLY WHEN AUTOMATIC TRANSMISSION IS FITTED.</b>

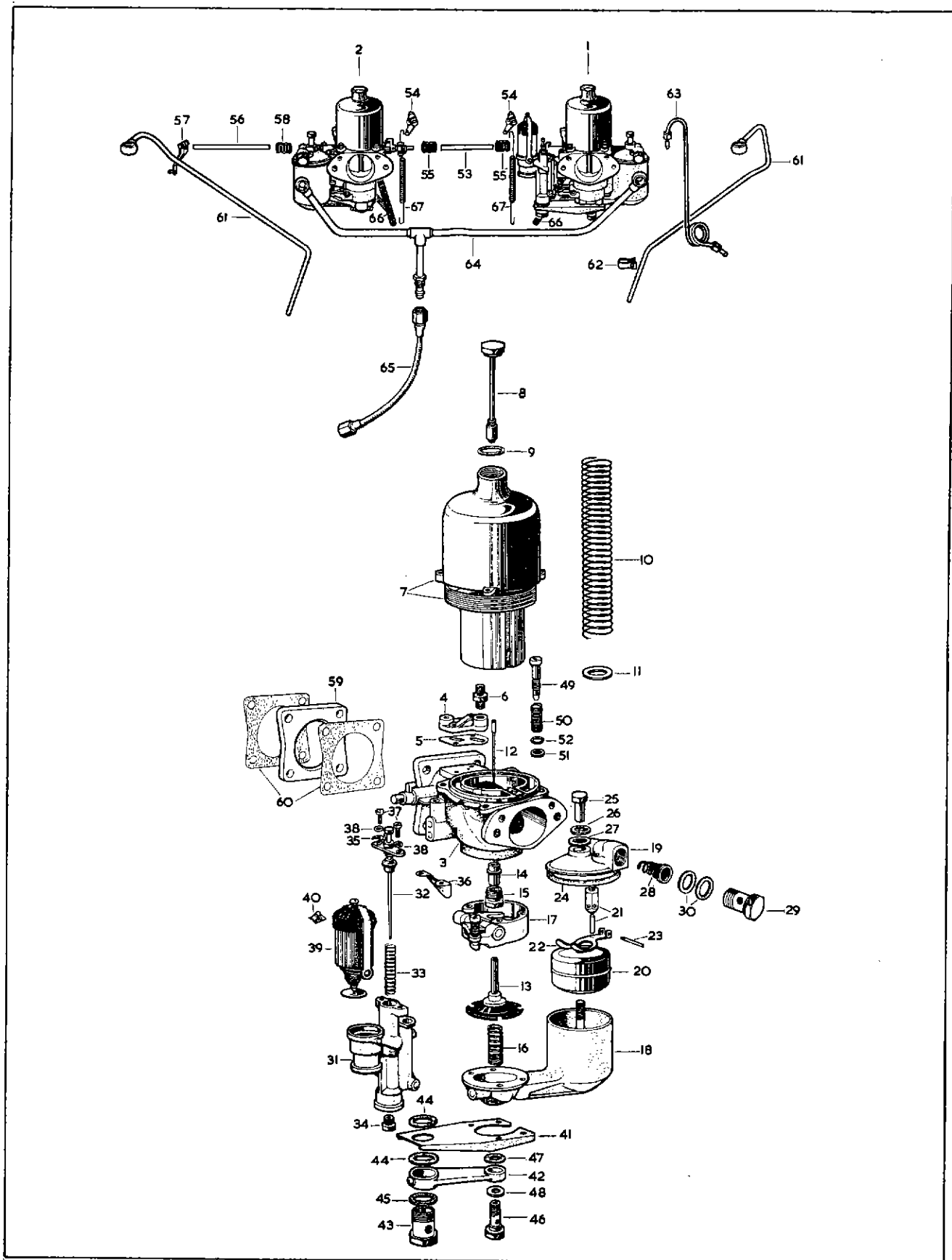


PLATE 8

# CARBURETTERS AND PETROL FILTER

## FOR XK 150 MODELS ONLY

Part No.	Description	Plate No.	No. per Unit	Remarks
C.16227	<b>FRONT CARBURETTER, COMPLETE (HD.6)</b>	9- 1	1	} Fitted to Chassis No. 820017 and subs. 831899 and subs. 824742 and subs. 835935 and subs. 827272 and subs. 837941 and subs.
C.16228	<b>REAR CARBURETTER, COMPLETE (HD.6)</b>	9- 2	1	
8032	<b>Body only</b> for Rear Carburetter (AUC.8264)		1	
8033	<b>Body only</b> for Front Carburetter (AUC.8265)	9- 3	1	
7868	<b>Adaptor</b> for Ignition Union on Front Carburetter (AUC.8190)	9- 4	1	
7091	<b>Gasket</b> under Adaptor (AUC.2014)	9- 5	1	
7961	<b>Screw</b> , securing Adaptor to Front Carburetter Body (AUC.5156)		2	
7105	<b>Washer</b> , Shakeproof, on Screws (AUA.4643)		2	
7069	<b>Suction Chamber Assembly</b> (AUC.8073) (comprising Suction Chamber and Piston)	9- 6	2	
7093	<b>Screw</b> , holding Jet Needle in Piston (AUC.2057)		2	
6961	<b>Damper Assembly</b> in Suction Chamber (AUC.8102)	9- 7	2	
7095	<b>Washer</b> for Damper (AUC.4900)	9- 8	2	
7094	<b>Spring</b> , assisting return of Piston (AUC.4387)	9- 9	2	
7038	<b>Skid Washer</b> , under Spring, at bottom of Piston (AUC.3071)	9-10	2	
7096	<b>Screw</b> , securing Suction Chamber to Carburetter (AUC.2175)		6	
7097	<b>Jet Needle</b> (TL)	9-11	2	
6957	<b>Jet Assembly</b> (AUC.8155) (comprising Jet Unit with Diaphragm and Cup)	9-12	2	
6958	<b>Jet Bearing</b> (AUC.2001)	9-13	2	
6959	<b>Nut</b> , locking Jet (AUC.2002)	9-14	2	
6960	<b>Spring</b> under Diaphragm (AUC.2006)	9-15	2	
7873	<b>Housing Assembly</b> for Jet Unit (AUC.8221)	9-16	2	
6993	<b>Float Chamber Assembly</b> for Rear Carburetter (AUC.2009)		1	
7114	<b>Float Chamber Assembly</b> for Front Carburetter (AUC.2088)	9-17	1	
7115	<b>Bolt</b> , securing Float Chamber and Jet Housing to Carburetter Body (AUC.2110)		8	
7105	<b>Washer</b> , Shakeproof, on Bolts (AUA.4643)		8	
7116	<b>Lid</b> for Float Chamber on Rear Carburetter (AUC.4260)		1	
7117	<b>Lid</b> for Float Chamber on Front Carburetter (AUC.4261)	9-18	1	
1090	<b>Float</b> (AUC.1123)	9-19	2	
6970	<b>Needle and Seat</b> , controlling petrol flow to Float Chamber (AUC.8170)	9-20	2	
7118	<b>Lever</b> , operating Float Needle (AUC.1980)	9-21	2	
1153	<b>Knurled Pin</b> , securing Lever to Float Chamber Lid (AUC.1152)	9-22	2	
7119	<b>Gasket</b> under Float Chamber Lid (AUC.1147)	9-23	2	
5832	<b>Cap Nut</b> , securing Lid to Float Chamber (AUC.1867)	9-24	2	
1298	<b>Serrated Washer</b> (Fibre) on Cap Nut adjacent to Lid (AUC.1928)	9-25	2	
7120	<b>Alum Washer</b> on Cap Nut (AUC.1557)	9-26	2	
479	<b>Filter</b> in inlet connection on Float Chamber Lid (AUC.2139)	9-27	2	
C.11488	<b>Banjo Bolt</b> , securing Feed Pipe to Float Chamber Lid (AUC.2698)	9-28	2	
C.11489	<b>Washer</b> (Fibre) on Banjo Bolt (AUC.2141)	9-29	4	
7962	<b>Thermostat Body Assembly</b> on Front Carburetter (AUC.8961)	9-30	1	
7963	<b>Acceleration Needle Assembly</b> (AUC.8129)	9-31	1	
6956	<b>Spring</b> for Acceleration Needle (AUC.1041)	9-32	1	
7121	<b>Jet</b> for Acceleration Needle (AUC.4759)	9-33	1	
7123	<b>Spring Finger</b> , holding Acceleration Needle after adjustment (AUC.3139)	9-34	1	
6955	<b>Dust Shield</b> for Thermostat Body (AUC.1054)	9-35	1	
7124	<b>Screw</b> , securing Acceleration Needle to Thermostat Body (AUA.1453)	9-36	2	
1617	<b>Washer</b> , Double Coil, Spring, on Screws (AUC.3003)	9-37	2	

# CARBURETTERS AND PETROL FILTER

## FOR XK 150 MODELS ONLY

Part No.	Description	Plate No.	No. per Unit	Remarks
<b>CARBURETTER (HD.6) (continued)</b>				
6876	<b>Solenoid Assembly</b> for Acceleration Needle (AUC. 8177) (including Moulded Cap, Securing Strap, Screw, Valve Plunger and Spring)	9-38	1	
7122	<b>Spring Clip</b> for Solenoid Terminals (AUC.4871)	9-39	2	
7125	<b>Bracket</b> , fixing Thermostat Body to Front Carburetter (AUC.2085)	9-40	1	
7126	<b>Connecting Arm</b> for attachment of Solenoid Body to Carburetter (AUC.2087)	9-41	1	
C.11488	<b>Banjo Bolt</b> , securing Connecting Arm and Bracket to Thermostat Body (AUC.2698)	9-42	1	
7129	<b>Washer</b> (Fibre) at each side of Bracket to Thermostat Body (AUC.4753)	9-43	2	
C.11489	<b>Washer</b> (Fibre) on Banjo Bolt to Thermostat Body (AUC.2141)	9-44	1	
7127	<b>Banjo Bolt</b> , securing Connecting Arm to Carburetter (AUC.2086)	9-45	1	
7128	<b>Washer</b> (Fibre) between Connecting Arm and Carburetter (AUC.2089)	9-46	1	
7120	<b>Washer</b> (Alum) between head of Banjo Bolt and Connecting Arm (AUC.1557)	9-47	1	
6967	<b>Valve</b> for slow-running adjustment (AUC.2028)	9-48	2	
6966	<b>Spring</b> for Slow-run Valve (AUC.2027)	9-49	2	
6968	<b>Gland Washer</b> (Neoprene) on Slow-run Valve (AUC. 2029)	9-50	2	
6969	<b>Washer</b> (Brass) at top of Gland Washer (AUC.2030)	9-51	2	
7964	<b>Throttle Spindle</b> on Front Carburetter (AUC.8422)		1	
7965	<b>Throttle Spindle</b> on Rear Carburetter (AUC.8423)		1	
1730	<b>Throttle Disc</b> (Butterfly) (AUC.3280)		2	
7046	<b>Screw</b> , securing Throttle Disc to Spindle (AUC.1358)		4	
7101	<b>Stop</b> for Throttle (AUC.2079)		1	
7050	<b>Taper Pin</b> , securing Stop to Throttle Spindle (AUC. 2106)		1	
7107	<b>CONNECTING ROD BETWEEN CARBURETTERS (AUC.2411)</b>	9-52	1	
C.14371	<b>LEVER ON CARBURETTER SPINDLES, FOR THROTTLE RETURN SPRING ANCHORAGE (AUC.8405)</b>	9-53	2	
5803	<b>Bolt</b> through Lever (AUC.2694)		1	
5614	<b>Nut</b> on Bolt (AUC.2156)		1	
7966	<b>Washer</b> under Nut (AUC.8396)		1	
4833	<b>COUPLING BETWEEN CONNECTING ROD AND CARBURETTER SPINDLES (AUC.4334)</b>	9-54	2	
5801	<b>Bolt</b> , securing Coupling (AUC.2669)		4	
673	<b>Nut</b> , on Bolts (AUC.2673)		4	
4612	<b>Washer</b> , under Nuts (AUC.4612)		4	



# CARBURETTERS AND PETROL FILTER

## FOR XK 150 MODELS ONLY

Part No.	Description	Plate No.	No. per Unit	Remarks
C.14614	<b>OUTRIGGER SHAFT, CONNECTING REAR CARBURETTER SPINDLE TO THROTTLE CONTROLS</b>	9-55	1	
C.14386	<b>LEVER ASSEMBLY CONNECTING OUTRIGGER SHAFT TO THROTTLE CONTROL ROD</b>	9-56	1	
4833	<b>COUPLING BETWEEN REAR CARBURETTER SPINDLE AND OUTRIGGER SHAFT (AUC.4334)</b>	9-57	1	
5801	<b>Bolt securing Coupling (AUC.2669)</b>		2	
673	<b>Nut on Bolts (AUC.2673)</b>		2	
4812	<b>Washer under Nuts (AUC.4612)</b>		2	
C.7461	<b>INSULATOR BETWEEN CARBURETTERS AND INLET MANIFOLD</b>	9-58	2	
C.2368	<b>Gasket at each side of Insulators</b>	9-59	4	
C.12280	<b>OVERFLOW PIPE FROM FLOAT CHAMBER LID</b>	9-60	2	
C.15992	<b>Clip, securing Overflow Pipes</b>	9-61	1	
C.14210	<b>SUCTION PIPE FROM FRONT CARBURETTER TO DISTRIBUTOR VACUUM CONTROL</b>	9-62	1	} Fitted to Chassis No. 820017 and subs. 831899 and subs. 827272 and subs. 837941 and subs. 824742 and subs. 835935 and subs.
C.14212	<b>Neoprene Tube connecting Suction Pipe to Adaptor on Front Carburetter</b>	9-63	1	

# CARBURETTORS AND PETROL FILTER

## FOR XK 150 MODELS ONLY

Part No.	Description	Plate No.	No. per Unit	Remarks
C.15868	<b>PETROL FEED PIPE ASSEMBLY LINKING CARBURETTORS</b>	9-64	1	} Fitted to Chassis No. 820017 and subs. 831899 and subs. 827272 and subs. 837941 and subs. 824742 and subs. 835935 and subs.
C.11575	<b>Olive, on Petrol Pipe</b>		1	
C.11576	<b>Nut, securing Petrol Pipe to Flexible Pipe</b>		1	
C.14492	<b>FLEXIBLE PETROL PIPE FROM CARBURETTER LINK PIPE TO FILTER</b>	9-65	1	} 820017 and subs. 831899 and subs. 827272 and subs. 837941 and subs. 824742 and subs. 835935 and subs.
C.13681	<b>PETROL FILTER ASSEMBLY (AC.7950001)</b>	9-66	1	
7297	<b>Filter Casting</b>	9-67	1	
7298	<b>Sealing Washer between Filter Casting and Glass Bowl</b>	9-68	1	
7299	<b>Filter Gauze</b>	9-69	1	
7300	<b>Glass Bowl</b>	9-70	1	
7301	<b>Retaining Strap Assembly</b>	9-71	1	
UFS.131/6R	<b>Screw, Set, securing Filter to R.H. Front Wing Valance</b>		2	
UFN.131/L	<b>Nut on Setscrews</b>		2	
FG.105/X	<b>Washer, Spring, under Nuts</b>		2	
C.14730	<b>INTERMEDIATE PIPE FROM FILTER TO PETROL TANK FEED PIPE</b>		1	} Fitted from Chassis No. 820017 to 820039 831899 to 832080 827272 to 827358 837941 to 838246 824742 to 824884 835935 to 836191
C.14685	<b>Union Nut</b>		1	
C.11575	<b>Olive</b>		1	
C.15940	<b>INTERMEDIATE PIPE FROM FILTER TO FLEXIBLE PIPE</b>	9-72	1	} Fitted to Chassis No. 820040 and subs. 832081 and subs. 827359 and subs. 838247 and subs. 824885 and subs. 836192 and subs.
C.11576	<b>Union Nut</b>		1	
C.11575	<b>Olive</b>		1	

# CARBURETTORS AND PETROL FILTER

## FOR XK 150 MODELS ONLY

Part No.	Description	Plate No.	No. per Unit	Remarks
C.3629	<b>FLEXIBLE PIPE FROM INTERMEDIATE PIPE TO FRONT FEED PIPE</b>	9-73	1	} Fitted to Chassis No. 820040 and subs. 832081 and subs. 827359 and subs. 838247 and subs. 824885 and subs. 836192 and subs.
C.13705	<b>Banjo Bolt, securing Intermediate and Flexible Pipes to Filter</b>	9-74	2	
C.784	<b>Fibre Washer on Banjo Bolts</b>	9-75	4	
C.14364	<b>BRACKET ASSEMBLY, ON CARBURETTORS, ANCHORING RETURN SPRING</b>	9-76	2	
C.14366	<b>THROTTLE RETURN SPRING FROM LEVERS ON CARBURETTORS TO ANCHOR BRACKETS</b>	9-77	2	
C.14665	<b>BRACKET BETWEEN CARBURETTORS, MOUNTING THROTTLE SWITCH</b>		1	<b>FOR USE ONLY WHEN AUTOMATIC TRANSMISSION OR OVERDRIVE UNIT IS FITTED AT CHASSIS No. 820017 and subs. 831899 and subs. 824742 and subs. 835925 and subs. 827272 and subs. 837941 and subs.</b>
C.12473 UFN.131/L FG.105/X	<b>Stud for fixing of Throttle Switch Bracket to Manifold Nut, securing Bracket Washer, Spring, under Nut</b>		1 1 1	} <b>REQUIRED ONLY WHEN AUTOMATIC TRANSMISSION IS FITTED.</b>
NN.119/L AW.102/T	<b>Nut, securing Throttle Switch to Bracket Washer, under Nuts</b>		2 2	
C.14372	<b>LEVER, ON CONNECTING ROD, FOR THROTTLE SWITCH (AUC.8215)</b>		1	<b>FOR USE ONLY WHEN AUTOMATIC TRANSMISSION OR OVERDRIVE UNIT IS FITTED.</b>
C.14387	<b>LEVER, CONNECTING OUTRIGGER SHAFT TO KICK DOWN ROD (AUC.3125)</b>		1	<b>FOR USE ONLY WHEN AUTOMATIC TRANSMISSION IS FITTED.</b>

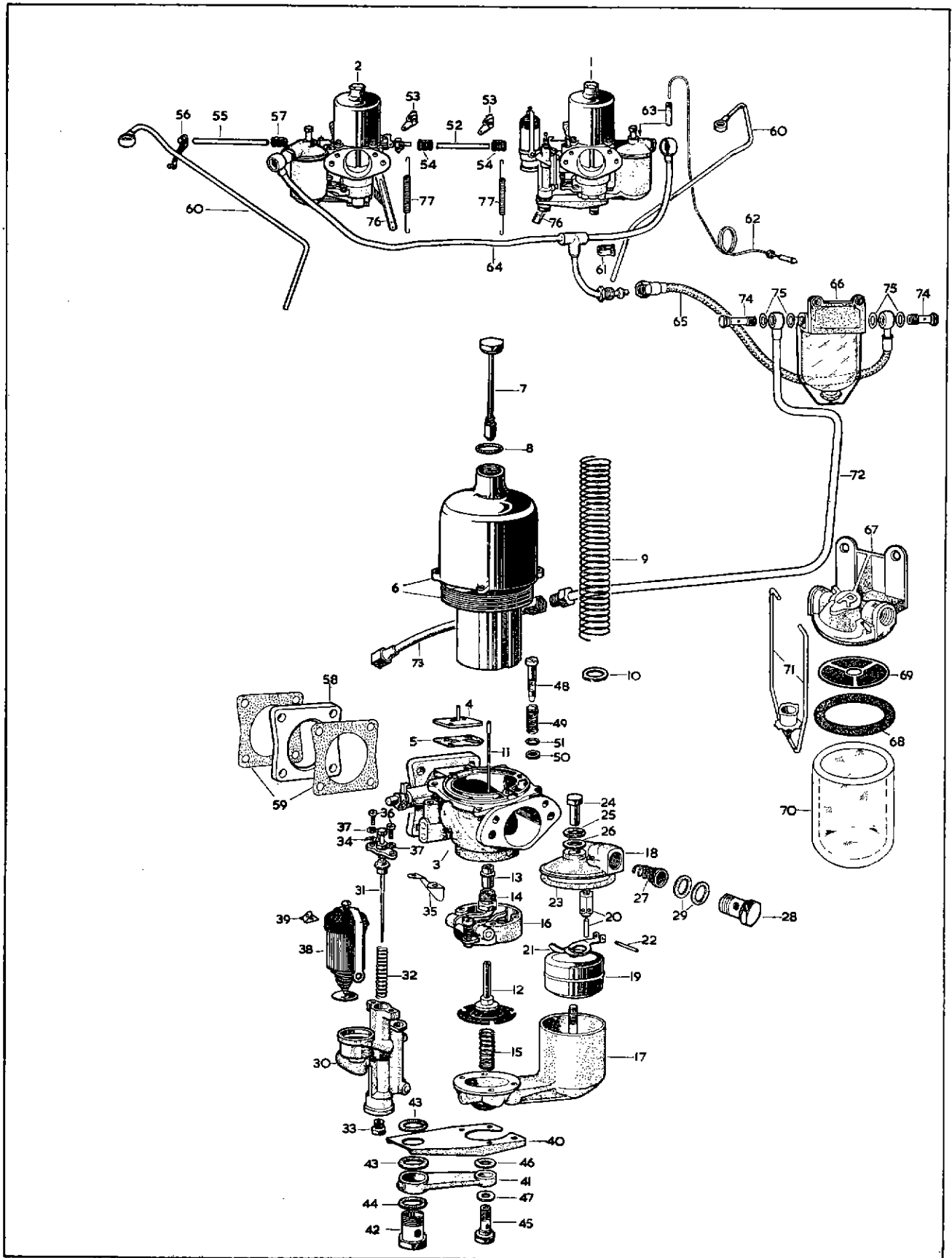


PLATE 9

# CARBURETTERS AND PETROL FILTER

## FOR XK 150 'S' MODELS ONLY

Part No.	Description	Plate No.	No. per Unit	Remarks
C.14092	<b>FRONT CARBURETTER ASSEMBLY (HD.8)</b>	10- 1	1	
7867	<b>Body only</b> (AUC.8258)	10- 2	1	
7090	<b>Adaptor</b> for Ignition Union (AUC.2044)	10- 3	1	
7091	<b>Gasket</b> under Adaptor (AUC.2014)	10- 4	1	
5618	<b>Screw</b> , securing Adaptor (AUC.2175)		2	
7105	<b>Washer</b> , Shakeproof, on Screws (AUA.4643)		2	
7106	<b>Ignition Union</b> (AUC.4490)	10- 5	1	
7869	<b>Suction Chamber</b> and Piston Assembly (AUC.8076)	10- 6	1	
7093	<b>Screw</b> , holding Jet Needle in position (AUC.2057)		1	
7870	<b>Damper Assembly</b> in Suction Chamber (AUC.8110)	10- 7	1	
7095	<b>Washer</b> for Damper (AUC.4900)	10- 8	1	
7871	<b>Spring</b> assisting return of Piston (AUC.2107)	10- 9	1	
7872	<b>Skid Washer</b> , under Spring, at bottom of Piston (AUC.1048)	10-10	1	
5618	<b>Screw</b> , securing Suction Chamber to Carburetter Body (AUC.2175)		4	
5980	<b>Jet Needle</b> (UE)	10-11	1	
7860	<b>Jet Assembly</b> (AUC.8156) (comprising Jet Unit, with Diaphragm and Cup)	10-12	1	
6958	<b>Jet Bearing</b> (AUC.2001)	10-13	1	
6959	<b>Nut</b> , locking Jet Bearing (AUC.2002)	10-14	1	
6960	<b>Spring</b> under Jet Diaphragm (AUC.2006)	10-15	1	
7873	<b>Jet Housing Assembly</b> (AUC.8221)	10-16	1	
7114	<b>Float Chamber Assembly</b> (AUC.2088)	10-17	1	
7117	<b>Lid</b> for Float Chamber (AUC.4261)	10-18	1	
1090	<b>Float</b> (AUC.1123)	10-19	1	
6970	<b>Needle and Seat</b> controlling petrol flow to Float Chamber (AUC.8170)	10-20	1	
7118	<b>Lever</b> operating Float Needle (AUC.1980)	10-21	1	
1153	<b>Pin</b> securing Lever to Float Chamber Lid (AUC.1152)	10-22	1	
7119	<b>Gasket</b> under Float Chamber Lid (AUC.1147)	10-23	1	
5832	<b>Cap Nut</b> securing Lid (AUC.1867)	10-24	1	
1298	<b>Serrated Washer</b> (Fibre) on Cap Nut adjacent to Lid (AUC.1928)	10-25	1	
7120	<b>Alum Washer</b> on Cap Nut (AUC.1557)	10-26	1	
479	<b>Filter</b> in Inlet connection on Float Chamber Lid (AUC.2139)	10-27	1	
C.11488	<b>Banjo Bolt</b> securing Feed Pipe to Float Chamber Lid (AUC.2698)	10-28	1	
C.11489	<b>Fibre Washer</b> on Banjo Bolt (AUC.2141)	10-29	2	
6971	<b>Thermostat Body Assembly</b> (AUC.8160)	10-30	1	
6875	<b>Acceleration Needle Assembly</b> (AUC.8121)	10-31	1	
6956	<b>Spring</b> for Acceleration Needle (AUC.1041)	10-32	1	
7121	<b>Jet</b> for Acceleration Needle (AUC.4759)	10-33	1	
7123	<b>Spring Finger</b> holding Acceleration Needle after adjustment (AUC.3139)	10-34	1	
6955	<b>Dust Shield</b> for Thermostat Body (AUC.1054)	10-35	1	
7124	<b>Screw</b> , securing Acceleration Needle to Thermostat Body (AUA.1453)	10-36	2	
7105	<b>Washer</b> , Shakeproof, on Screws (AUA.4643)	10-37	2	
6876	<b>Solenoid Assembly</b> for Acceleration Needle (AUC.8177)	10-38	1	
7122	<b>Spring Clip</b> for Solenoid Terminals (AUC.4871)		2	
7125	<b>Bracket</b> fixing Thermostat Body to Front Carburetter (AUC.2085)	10-39	1	
7126	<b>Connecting Arm</b> between Thermostat Body and Carburetter (AUC.2087)	10-40	1	
C.11488	<b>Banjo Bolt</b> , securing Connecting Arm and Bracket to Thermostat Body	10-41	1	
7129	<b>Fibre Washer</b> at each side of Bracket to Thermostat Body (AUC.4753)	10-42	2	
C.11489	<b>Fibre Washer</b> on Banjo Bolt to Thermostat Body (AUC.2141)	10-43	1	
7127	<b>Banjo Bolt</b> , securing Connecting Arm to Carburetter (AUC.2086)	10-44	1	
7128	<b>Fibre Washer</b> between Connecting Arm and Carburetter (AUC.2089)	10-45	1	
7120	<b>Alum Washer</b> between head of Banjo Bolt and Connecting Arm (AUC.1557)	10-46	1	
6967	<b>Valve</b> for slow-running adjustment (AUC.2028)	10-47	1	
6966	<b>Spring</b> for slow-run Valve (AUC.2027)	10-48	1	
6968	<b>Gland Washer</b> for slow-run Valve (AUC.2029)	10-49	1	
6969	<b>Dished Washer</b> (Brass) at top of Gland Washer (AUC.2030)	10-50	1	

# CARBURETTERS AND PETROL FILTER

## FOR XK 150 'S' MODELS ONLY

Part No.	Description	Plate No.	No. per Unit	Remarks
C.14093	<b>CENTRE CARBURETTER ASSEMBLY (HD.8)</b>	10-51	1	
7861	<b>Body only (AUC.8259)</b>		1	
7869	<b>Suction Chamber and Piston Assembly (AUC.8076)</b>		1	
7093	<b>Screw, holding Jet Needle in position (AUC.2057)</b>		1	
7870	<b>Damper Assembly in Suction Chamber (AUC.8110)</b>		1	
7095	<b>Washer for Damper (AUC.4900)</b>		1	
7871	<b>Spring, assisting return of Piston (AUC.2107)</b>		1	
7872	<b>Skid Washer, under Spring, at bottom of Piston (AUC.1048)</b>		1	
5618	<b>Screw, securing Suction Chamber to Carburetter (AUC.2175)</b>		4	
5980	<b>Jet Needle (UE)</b>		1	
7860	<b>Jet Assembly (AUC.8156) (comprising Jet Unit with Diaphragm and Cup)</b>		1	
6958	<b>Jet Bearing (AUC.2001)</b>		1	
6959	<b>Nut, locking Jet Bearing (AUC.2002)</b>		1	
6960	<b>Spring under Jet Diaphragm (AUC.2006)</b>		1	
7873	<b>Jet Housing Assembly (AUC.8221)</b>		1	
6993	<b>Float Chamber Assembly (AUC.2009)</b>		1	
7116	<b>Lid for Float Chamber (AUC.4260)</b>		1	
1090	<b>Float (AUC.1123)</b>		1	
6970	<b>Needle and Seat controlling petrol flow to Float Chamber (AUC.8170)</b>		1	
7118	<b>Lever, operating Float Needle (AUC.1980)</b>		1	
1153	<b>Pin, securing Lever to Float Chamber Lid (AUC.1152)</b>		1	
7119	<b>Gasket under Float Chamber Lid (AUC.1147)</b>		1	
5832	<b>Cap Nut securing Lid (AUC.1867)</b>		1	
1298	<b>Serrated Washer (Fibre) on Cap Nut, adjacent to Lid (AUC.1928)</b>		1	
7120	<b>Alum Washer on Cap Nut (AUC.1557)</b>		1	
479	<b>Filter in Inlet connection on Float Chamber Lid (AUC.2139)</b>		1	
C.11488	<b>Banjo Bolt, securing Feed Pipe to Float Chamber Lid (AUC.2698)</b>		1	
C.11489	<b>Fibre Washer on Banjo Bolt (AUC.2141)</b>		2	
6967	<b>Valve for slow-running adjustment (AUC.2028)</b>		1	
6966	<b>Spring, for slow-run Valve (AUC.2027)</b>		1	
6968	<b>Gland Washer for slow-run Valve (AUC.2029)</b>		1	
6969	<b>Dished Washer (Brass) at top of Gland Washer (AUC.2030)</b>		1	
C.14094	<b>REAR CARBURETTER ASSEMBLY (HD.8)</b>	10-52	1	
	<b>All items for Rear Carburetter are identical with Centre Carburetter C.14093.</b>			

# CARBURETTERS AND PETROL FILTER

## FOR XK 150 'S' MODELS ONLY

Part No.	Description	Plate No.	No. per Unit	Remarks
7867	<b>BODY FOR FRONT CARBURETTER (AUC.8258)</b>		1	
7861	<b>BODY FOR CENTRE AND REAR CARBURETTERS (AUC.8259)</b>		2	
7862	<b>Piston Lift Pin (AUC.2065)</b>		3	
7863	<b>Spring for Lift Pin (AUC.2066)</b>		3	
7864	<b>Seating Washer for Lift Pin (AUC.4943)</b>		3	
7865	<b>Brass Washer at top of Seating Washer (AUC.4944)</b>		3	
7866	<b>Circlip, securing Washers and Spring on Lift Pin (AUC.1250)</b>		3	
C.14098	<b>LEVER, ON CARBURETTER SPINDLES, CONNECTING CONTROL RODS TO SLAVE SHAFTS (AUC.3124)</b>	10-53	3	
5803	<b>Bolt through Levers</b>		3	
5614	<b>Nut on Bolt</b>		3	
7966	<b>Washer under Nut</b>		3	
C.14104	<b>CONTROL ROD LINKING LEVERS ON CARBURETTER SPINDLES AND SLAVE SHAFTS</b>	10-54	3	
C.13824	<b>Clip, securing Control Rods to Levers</b>	10-55	6	
C.14103	<b>LEVER, ON SLAVE SHAFTS, CONNECTING CONTROL RODS TO CARBURETTER SPINDLES (AUC.4054)</b>	10-56	3	
5803	<b>Bolt through Levers</b>		3	
5614	<b>Nut, on Bolts</b>		3	
7966	<b>Washer under Nuts</b>		3	
C.14145	<b>THROTTLE SLAVE SHAFT ASSEMBLY, FRONT</b>	10-57	1	
C.14147	<b>THROTTLE SLAVE SHAFT ASSEMBLY, REAR</b>	10-58	1	
C.14359	<b>Distance Piece, on Rear Slave Shaft, behind Lever for Centre Carburetter</b>	10-59	1	

# CARBURETTORS AND PETROL FILTER

## FOR XK 150 'S' MODELS ONLY

Part No.	Description	Plate No.	No. per Unit	Remarks
C.11635	<b>COUPLING BETWEEN FRONT AND REAR SLAVE SHAFTS</b>	10-60	1	
5803	<b>Bolt</b> through Coupling		2	
5614	<b>Nut</b> on Bolts		2	
7966	<b>Washer</b> under Nuts		2	
C.14128	<b>LEVER, ON REAR SLAVE SHAFT, FOR CONNECTION OF CONTROL ROD TO ACCELERATOR PEDAL</b>	10-61	1	
5803	<b>Bolt</b> through Lever		1	
5614	<b>Nut</b> on Bolt		1	
7966	<b>Washer</b> under Nut		1	
C.8486	<b>INSULATOR BETWEEN CARBURETTORS AND INLET MANIFOLD</b>	10-62	3	
C.7221	<b>Gasket</b> at each side of Insulator	10-63	6	
C.14364	<b>BRACKET ASSEMBLY ANCHORING THROTTLE RETURN SPRINGS</b>	10-64	3	
C.14366	<b>THROTTLE RETURN SPRING</b>	10-65	3	
C.14577	<b>OVERFLOW PIPE FOR FRONT CARBURETTER</b>	10-66	1	
C.14576	<b>OVERFLOW PIPE FOR CENTRE CARBURETTER</b>	10-67	1	
C.14578	<b>OVERFLOW PIPE FOR REAR CARBURETTER</b>	10-68	1	
C.14090	<b>Clip</b> securing Overflow Pipes	10-69	1	



# CARBURETTERS AND PETROL FILTER

## FOR XK 150 'S' MODELS ONLY

Part No.	Description	Plate No.	No. per Unit	Remarks
C.12336	<b>SUCTION PIPE FROM FRONT CARBURETTER TO DISTRIBUTOR VACUUM CONTROL</b>	10-70	1	
C.14351	<b>PETROL FEED PIPE ASSEMBLY LINKING CARBURETTERS TO FILTER</b>		1	Fitted from Chassis No. 820005 to 820038 830336 to 832075 824789 to 824863 835961 to 836186 827334 to 827354 837993 to 838245
C.15283	<b>PETROL FEED PIPE ASSEMBLY LINKING CARBURETTERS TO FILTER</b>	10-71	1	Fitted to Chassis No. 820039 and subs. 832076 and subs. 824864 and subs. 836187 and subs. 827355 and subs. 838246 and subs.
C.13681	<b>PETROL FILTER ASSEMBLY (AC.7950001)</b>	10-72	1	
7297	Filter Casting	10-73	1	
7298	Sealing Washer	10-74	1	
7299	Filter Gauze	10-75	1	
7300	Glass Bowl	10-76	1	
7301	Retaining Strap Assembly	10-77	1	
UFS.131/7R FG.105/X C.14353	<b>Screw, Set, securing Filter to Air Cleaner Washer, Spring, on Setscrews Distance Piece on Setscrews</b>		2 2 2	} Fitted from Chassis No. 820005 to 820038 830336 to 832075 824789 to 824863 835961 to 836186 827334 to 827354 837993 to 838245
UFN.131/L FG.105/X	<b>Nut, securing Filter Washer, Spring, under Nuts</b>		2 2	
C.14372	<b>LEVER FOR OVERDRIVE SWITCH</b>	10-78	1	

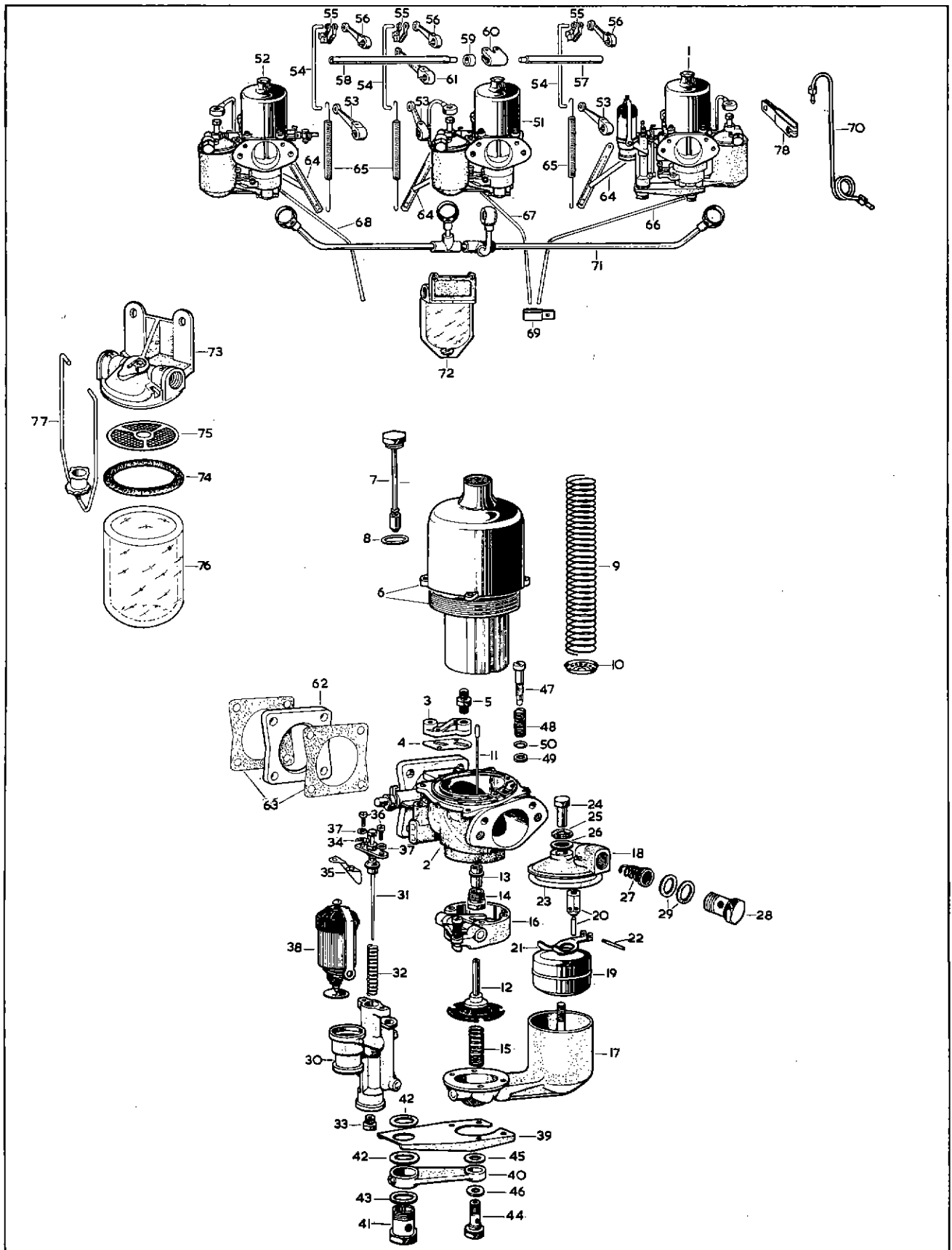


PLATE 10

# AIR CLEANER INSTALLATION

## FITTED TO RIGHT HAND DRIVE XK 150 MODELS ONLY

Part No.	Description	Plate No.	No. per Unit	Remarks
C.13769	<b>AIR CLEANER AND SILENCER ASSEMBLY (A.C. DELCO 7955076)</b>		1	
7375	<b>Silencer Body Assembly (7955077)</b>	11- 1	1	
7376	<b>Element (7955078)</b>	11- 2	1	
7377	<b>Cover (7955080)</b>	11- 3	1	
7374	<b>Nut, securing Cover to Body (1527688)</b>	11- 4	1	
C.13770	<b>BRACKET ASSEMBLY SUPPORTING AIR CLEANER</b>	11- 5	2	
UFS.131/4D	<b>Screw, Set, securing Bracket to Air Cleaner and Battery Box</b>		5	
FG.105/X	<b>Washer, Spring, on Setscrews</b>		5	
C.13768	<b>AIR INTAKE</b>	11- 6	1	
C.4475	<b>Gasket between Air Intake and Carburetters</b>	11- 7	2	
OD.105/4J	<b>Dowel, positioning Air Intake to Carburetters</b>	11- 8	2	
CS.131/8D	<b>Screw, Set, securing Air Intake to Carburetters</b>		2	
C.725	<b>Washer, Shakeproof, on Setscrews</b>		2	
C.12401	<b>HOSE CONNECTING AIR CLEANER TO AIR INTAKE</b>	11- 9	1	
C.2905/9	<b>Clip, securing Hose to Air Cleaner and Intake</b>	11-10	2	

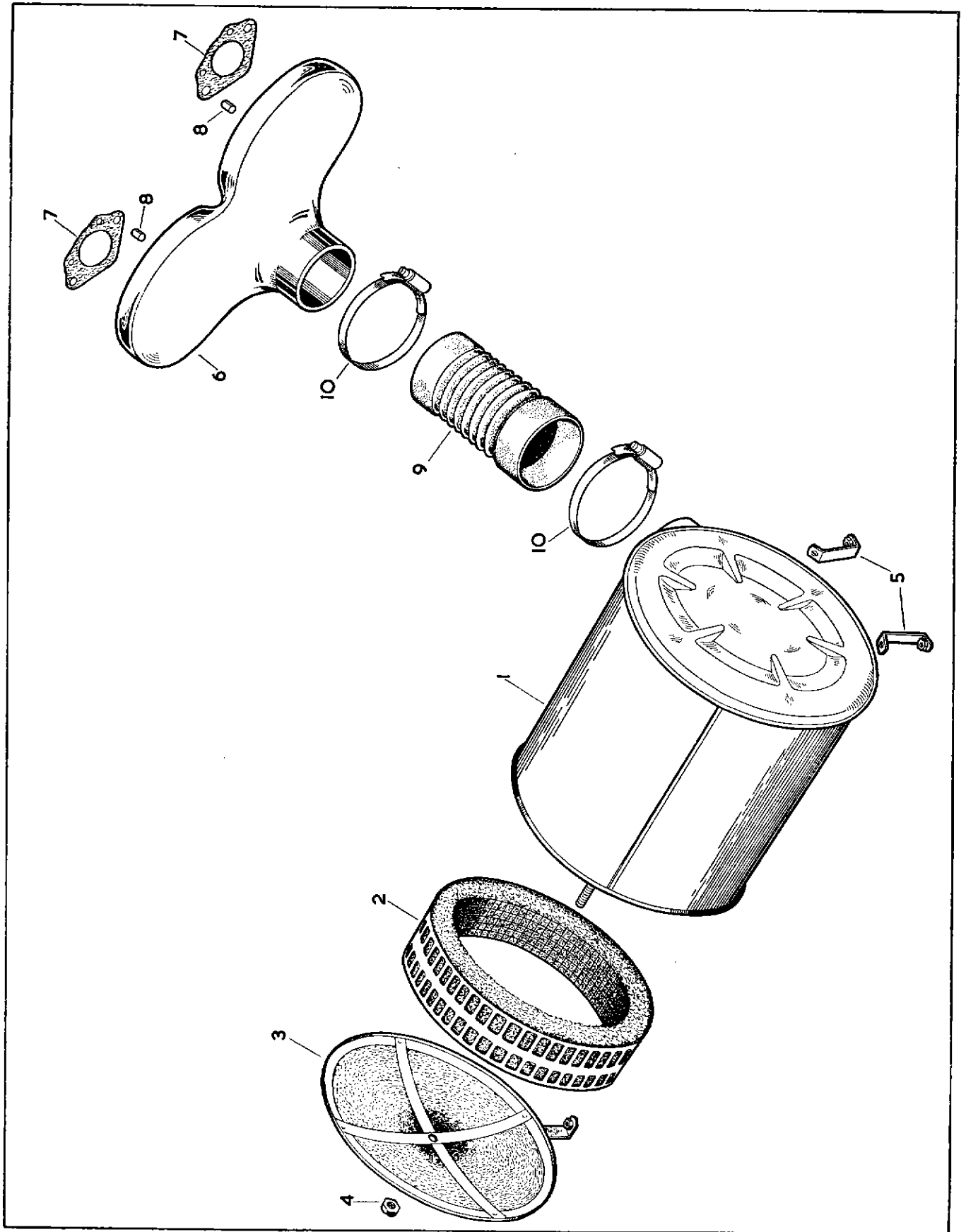


PLATE 11

# AIR CLEANER INSTALLATION

FITTED TO LEFT HAND DRIVE XK 150 MODELS ONLY

Part No.	Description	Plate No.	No. per Unit	Remarks
C.13069	<b>AIR CLEANER ASSEMBLY</b> (A.C. DELCO 7223739)	12- 1	1	
C.13072	<b>BRACKET SUPPORTING AIR CLEANER</b> <b>AT REAR</b>	12- 2	1	
CS.131/5D	<b>Screw, Set, securing Bracket to Air Intake</b>		1	
NS.121/5D	<b>Screw, Set, securing Bracket to Air Cleaner</b>		2	
C.725	<b>Washer, Shakeproof, on Setscrews</b>		3	
C.13073	<b>BRACKET SUPPORTING AIR CLEANER</b> <b>AT FRONT</b>	12- 3	1	
C.8136	<b>Distance Piece between Bracket and Air Cleaner</b>	12- 4	1	
NN.131/L	<b>Nut securing Bracket</b>		2	
C.725	<b>Washer, Shakeproof, under Nuts</b>		2	
C.8139	<b>AIR INTAKE</b>	12- 5	1	
C.4475	<b>Gasket, between Air Intake and Carburetters</b>	12- 6	2	
OD.105/4J	<b>Dowel, positioning Air Intake to Carburetters</b>	12- 7	2	
CS.131/8D	<b>Screw, Set, securing Air Intake to Carburetters</b>		2	
C.725	<b>Washer, Shakeproof, on Setscrews</b>		2	
C.1788	<b>RUBBER CONNECTION BETWEEN</b> <b>AIR CLEANER AND AIR INTAKE</b>	12- 8	1	

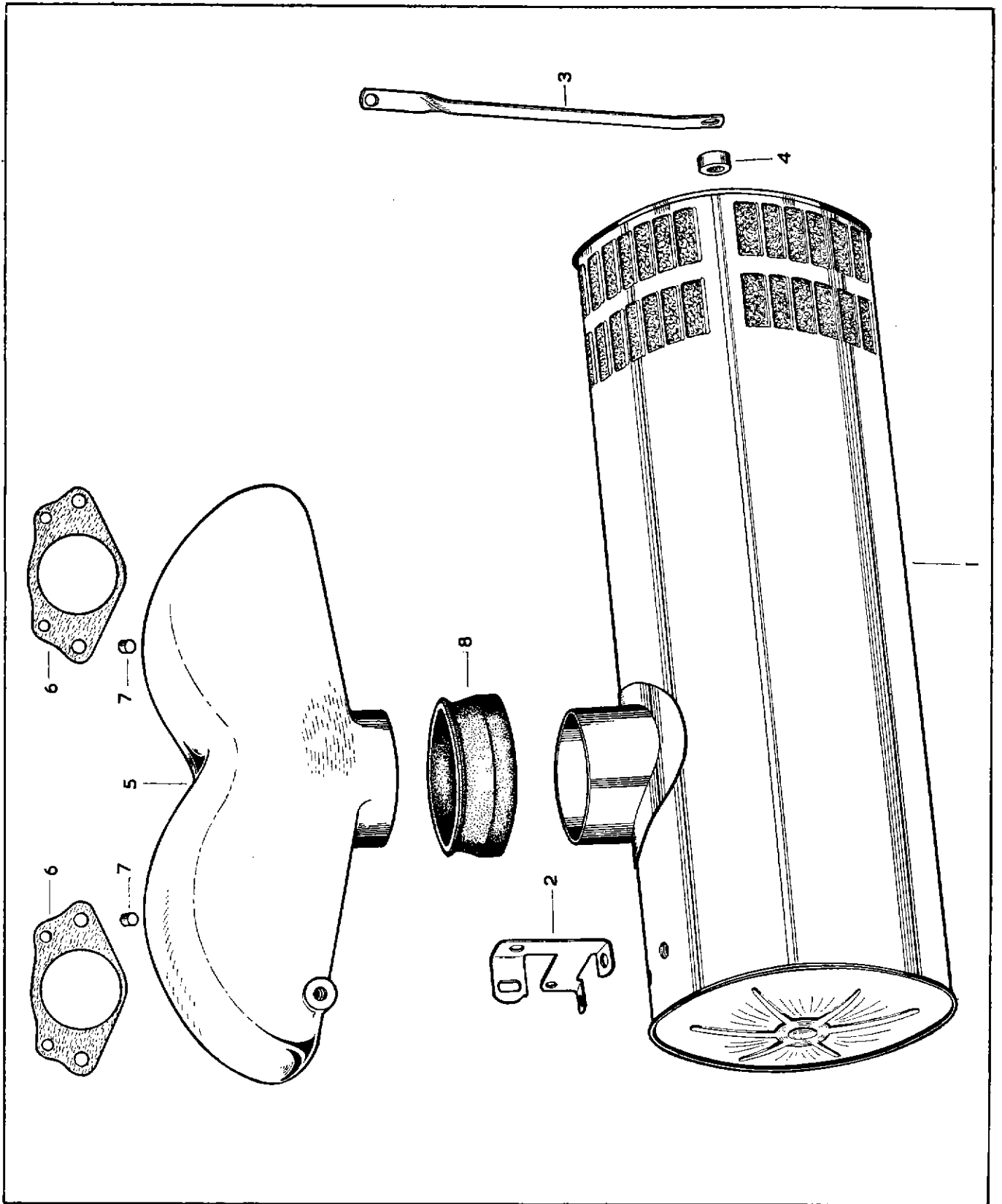


PLATE 12

# AIR CLEANER

FOR XK 150 'S' MODELS ONLY

Part No.	Description	Plate No.	No. per Unit	Remarks
C.14312	<b>AIR CLEANER ASSEMBLY</b>		1	Fitted from Chassis No. 820005 to 820038 830336 to 832075 824789 to 824863 835961 to 836186 827334 to 827354 837993 to 838245
C.14313	<b>Base Assembly</b> , complete with Trumpets		1	
C.14317	<b>Mesh Element</b> (E/AC.9505)		3	
C.14318	<b>Wire Screen</b> at each side of Elements (E/AC.9506)		6	
C.14319	<b>Distance Piece</b> ( $1\frac{3}{8}$ " long) at bottom of Bolt		2	
C.14320	<b>Distance Piece</b> ( $\frac{1}{2}$ " long) at top of Bolt		2	
BD.541/5	<b>Special Washer</b> at top of small Distance Piece		2	
C.14315	<b>Lid only</b>		1	
C.8667/1	<b>Nyloc Nut</b> , securing Lid		2	
C.15277	<b>AIR CLEANER ASSEMBLY</b>		1	Fitted to Chassis No. 820039 and subs. 832076 and subs. 824864 and subs. 836187 and subs. 827355 and subs. 838246 and subs.
C.15278	<b>Base Assembly</b> , complete with Trumpets and In- take Mesh	13- 1	1	
C.15282	<b>Distance Piece</b> on Bolts	13- 2	2	
C.15258	<b>Paper Element Assembly</b> (5403)	13- 3	1	
C.15284	<b>Lid only</b>	13- 4	1	
C.8667/1	<b>Nyloc Nut</b> securing Lid	13- 5	2	
BD.541/3	<b>Special Washer</b> under Nuts	13- 6	2	
C.7164	<b>Gasket</b> between Air Cleaner and Carburetters	13- 7	3	
C.4202/2	<b>Nut</b> , securing Air Cleaner to Carburetters		6	
FG.105/X	<b>Washer</b> , Spring, under Nuts		6	

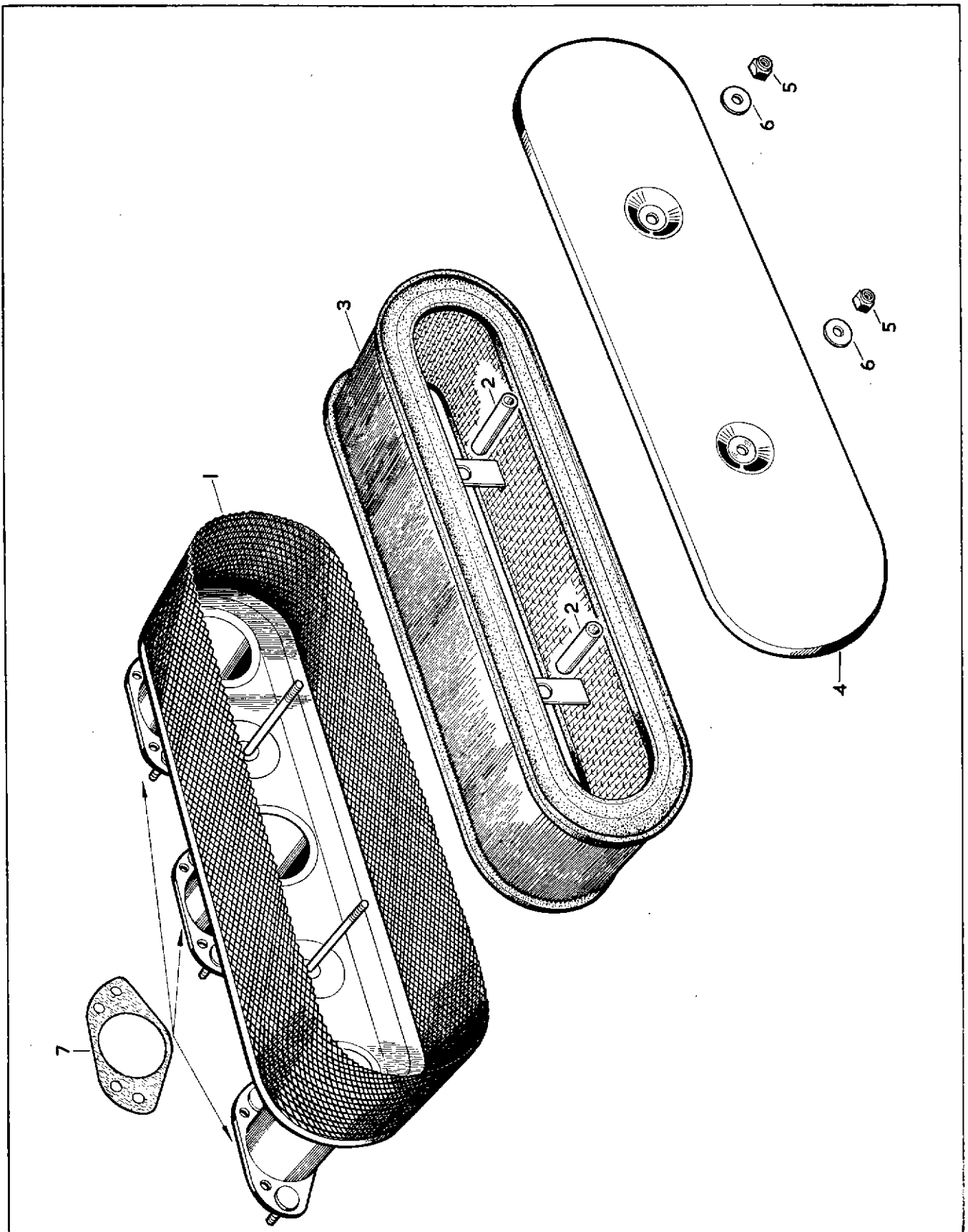


PLATE 13



# STANDARD OR OVERDRIVE TRANSMISSION ACCELERATOR CONTROLS

(R.H. DRIVE CARS ONLY)

Part No.	Description	Plate No.	No. per Unit	Remarks
C.13746	<b>ACCELERATOR PEDAL ASSEMBLY</b>		1	
C.11671	<b>Rubber Pad</b> , on Accelerator Pedal		1	
C.13743	<b>BRACKET ASSEMBLY MOUNTING ACCELERATOR PEDAL</b>		1	
UFS.125/4R	<b>Screw</b> , Set, securing Bracket to Floor		3	
C.724	<b>Washer</b> , Shakeproof, on Setscrews		3	
UFS.125/8R	<b>Stopscrew</b> , for Accelerator Pedal		1	
UFN.225/L	<b>Nut</b> , locking Stopscrew		1	
C.6969	<b>Fulcrum Pin</b> , securing Pedal in Bracket		1	
C.3968/1	<b>Nut</b> , Self-Locking, securing Fulcrum Pin		1	
FW.104/T	<b>Washer</b> , Plain, under Nut		1	
C.13748	<b>ACCELERATOR PEDAL SHAFT ASSEMBLY</b>		1	
BD.1814/2	<b>Pop Rivet</b> , securing Pedal Shaft to Dash at Spherical Bearing		3	
UFS.125/8R	<b>Screw</b> , Set, securing Pedal Shaft to Dash at Bracket		2	
FW.104/T	<b>Washer</b> , Plain, on Setscrews		2	
UFN.125/L	<b>Nut</b> , on Setscrews		2	
C.724	<b>Washer</b> , Shakeproof, under Nuts		2	
C.12486	<b>Roller</b> , on Shaft, for Accelerator Pedal		1	
L.103/6U	<b>Split Pin</b> , retaining Roller		1	
C.386	<b>Washer</b> , Plain, under Split Pin		1	
C.13755	<b>CONTROL ROD LINKING ACCELERATOR PEDAL SHAFT WITH INTERMEDIATE LEVER</b>		1	
C.13814	<b>INTERMEDIATE LEVER ASSEMBLY AT TOP OF DASH</b>		1	
C.13403	<b>Bracket and Bearing Assembly</b> mounting end of Lever		1	
UFS.125/5R	<b>Screw</b> , Set, securing Lever and Bracket to Dash		4	
C.724	<b>Washer</b> , Shakeproof, on Setscrews		4	

**STANDARD OR OVERDRIVE TRANSMISSION**  
**(R.H. DRIVE CARS ONLY) ACCELERATOR CONTROLS**

Part No.	Description	Plate No.	No. per Unit	Remarks
C.13755	<b>CONTROL ROD LINKING INTER- MEDIATE LEVER WITH THROTTLE SPINDLE</b>		1	
C.13407	<b>BRACKET FOR THROTTLE SPINDLE SUPPORT</b>		1	
C.8016	<b>Grommet, in Bracket</b>		1	
C.3477	<b>Bush (Graphite Impregnated) in Grommet</b>		1	
UFS.125/5R	<b>Screw, Set, securing Bracket to Dash</b>		2	
FW.104/T	<b>Washer, Plain, on Setscrews</b>		2	
UFN.125/L	<b>Nut, on Setscrews</b>		2	
C.724	<b>Washer, Shakeproof, under Nuts</b>		2	
310	<b>THROTTLE RETURN SPRING BETWEEN PEDAL SHAFT AND BRACKET ON PEDAL SEAL RETAINER</b>		1	

**PLATE 14 WILL BE ISSUED  
AT A LATER DATE**

# STANDARD OR OVERDRIVE TRANSMISSION ACCELERATOR CONTROLS

(L.H. DRIVE CARS ONLY)

FITTED FROM CHASSIS No. 830001 TO 831139, 837001 TO 837627, 834001 TO 835718

Part No.	Description	Plate No.	No. per Unit	Remarks
C.4956	<b>ACCELERATOR PEDAL ASSEMBLY</b>		1	
C.3473	Rubber Pad on Accelerator Pedal		1	
C.8667/2	Nut, Self Locking, securing Accelerator Pedal to Bracket on Clutch Housing		1	
FW.105/T	Washer, Plain, under Nut		1	
C.13206	<b>BRACKET, ON UNDERSIDE OF TOE BOARD FOR MOUNTING OF FUL- CRUM LEVER</b>		1	
UFS.125/5R	Screw, Set, securing Bracket to Toe Board		2	
UFN.125/L	Nut, on Setscrews		2	
C.724	Washer, Shakeproof, under Nuts		2	
C.13203	<b>FULCRUM LEVER ASSEMBLY FOR CONNECTION OF CONTROL RODS BETWEEN PEDAL AND CROSS SHAFT</b>		1	
C.6969	Fulcrum Pin, securing Fulcrum Lever in Bracket		1	
C.3968/1	Nut, Self Locking, on Fulcrum Pin		1	
FW.104/T	Washer, Plain, under Nut		1	
C.13406	<b>PUSH ROD, LINKING ACCELERATOR PEDAL WITH FULCRUM LEVER</b>		1	
C.4989	Rubber Gaiter on Push Rod		1	
C.13216	<b>CONTROL ROD, LINKING FULCRUM LEVER WITH CROSS SHAFT</b>		1	
BD.1708/5	Washer, Double Coil Spring, on Control Rod		2	
L.103/4U	Split Pin, retaining Control Rod		2	
FW.104/T	Washer, Plain, under Split Pin		2	

# STANDARD OR OVERDRIVE TRANSMISSION

## (L.H. DRIVE CARS ONLY) **ACCELERATOR CONTROLS**

FITTED FROM CHASSIS No. 830001 TO 831139, 837001 TO 837627, 834001 TO 835718

Part No.	Description	Plate No.	No. per Unit	Remarks
C.13404	<b>CROSS SHAFT ASSEMBLY ON SCUTTLE</b>		1	
C.13403	<b>BRACKET ASSEMBLY MOUNTING CROSS SHAFT</b>		2	
UFS.125/5R	<b>Screw, Set, securing Brackets to Scuttle</b>		4	
C.724	<b>Washer, Shakeproof, on Setscrew</b>		4	
C.13316	<b>Spacing Collar for mounting of Cross Shaft</b>		1	
BD.1708/2	<b>Washer, Double Coil Spring, on Cross Shaft</b>		1	
L.103/6U	<b>Split Pin, retaining Cross Shaft</b>		1	
C.386	<b>Washer, Plain, under Split Pin</b>		1	
C.13202	<b>CONTROL ROD LINKING CROSS SHAFT WITH LEVER ON THROTTLE SPINDLE</b>		1	
UFN.125/L	<b>Nut, securing Control Rod</b>		2	
C.724	<b>Washer, Shakeproof, under Nuts</b>		2	
C.13407	<b>BRACKET FOR THROTTLE SPINDLE</b>		1	
C.8016	<b>Grommet, in Support Bracket</b>		1	
C.3477	<b>Bush (Graphite Impregnated) in Grommet</b>		1	
UFS.125/5R	<b>Screw, Set, securing Support Bracket to Scuttle</b>		2	
FW.104/T	<b>Washer, Plain, on Setscrews</b>		2	
UFN.125/L	<b>Nut, on Setscrews</b>		2	
C.724	<b>Washer, Shakeproof, under Nuts</b>		2	
310	<b>THROTTLE RETURN SPRING</b>		1	
C.14393	<b>Bracket, at Bonnet Hinge Mounting, anchoring Return Spring</b>		1	

**PLATE 15 WILL BE ISSUED  
AT A LATER DATE**

PLATE 15

# STANDARD OR OVERDRIVE TRANSMISSION ACCELERATOR CONTROLS

(L.H. DRIVE CARS ONLY)

FITTED TO CHASSIS No. 831140 AND SUBS., 837628 AND SUBS., 835719 AND SUBS.

Part No.	Description	Plate No.	No. per Unit	Remarks
C.13746	<b>ACCELERATOR PEDAL ASSEMBLY</b>		1	
C.11671	<b>Rubber Pad</b> on Accelerator Pedal		1	
C.13743	<b>BRACKET ASSEMBLY MOUNTING ACCELERATOR PEDAL</b>		1	
UFS.125/4R	<b>Screw, Set</b> , securing Bracket to Floor		3	
C.724	<b>Washer</b> , Shakeproof, on Setscrews		3	
UFS.125/8R	<b>Stopscrew</b> , for Accelerator Pedal		1	
UFN.225/L	<b>Nut</b> , locking Stopscrew		1	
C.6969	<b>Fulcrum Pin</b> , securing Pedal in Bracket		1	
C.3968/I	<b>Nut</b> , Self Locking, securing Fulcrum Pin		1	
FW.104/T	<b>Washer</b> , Plain, under Nut		1	
C.14190	<b>CROSS SHAFT ASSEMBLY ON DASH</b>		1	
C.13308	<b>Bearing Assembly</b> , supporting Cross Shaft at R.H. side		1	
BD.1814/2	<b>Pop Rivet</b> , securing Bearing to Dash		3	
UFS.125/3R	<b>Screw, Set</b> , securing Cross Shaft Bracket to L.H. side of Dash		2	
C.724	<b>Washer</b> , Shakeproof, on Setscrews		2	
FW.104/T	<b>Washer</b> , Plain, under Shakeproof Washers		2	
C.12486	<b>Roller</b> , on Cross Shaft, for Accelerator Pedal		1	
L.103/6U	<b>Split Pin</b> , retaining Roller		1	
C.386	<b>Washer</b> , Plain, under Split Pin		1	
C.14216	<b>CONTROL ROD LINKING LEVER ON CROSS SHAFT WITH INTERMEDIATE LEVER</b>		1	
UFN.125/L	<b>Nut</b> , securing Control Rod to Levers		2	
C.724	<b>Washer</b> , Shakeproof, under Nuts		2	

STANDARD OR OVERDRIVE TRANSMISSION

**ACCELERATOR CONTROLS** (L.H. DRIVE CARS ONLY)

FITTED TO CHASSIS No. 831140 AND SUBS., 837628 AND SUBS., 835719 AND SUBS.

Part No.	Description	Plate No.	No. per Unit	Remarks
C.14193	<b>INTERMEDIATE LEVER ASSEMBLY AT R.H. SIDE OF DASH</b>		1	
UFS.125/4R C.724	<b>Screw, Set, securing Intermediate Lever to Dash</b> <b>Washer, Shakeproof, on Setscrews</b>		4 4	
C.13755	<b>CONTROL ROD LINKING INTERMEDIATE LEVER WITH THROTTLE SPINDLE</b>		1	
310	<b>THROTTLE RETURN SPRING</b>		1	
C.14393	<b>Anchor Bracket for Throttle Return Spring</b>		1	
C.13407	<b>BRACKET FOR THROTTLE SPINDLE SUPPORT</b>		1	
C.8016	<b>Grommet in Bracket</b>		1	
C.3477	<b>Bush (Graphite Impregnated) in Grommet</b>		1	
UFS.125/5R	<b>Screw, Set, securing Bracket to Dash</b>		2	
FWV.104/T	<b>Washer, Plain, on Setscrews</b>		2	
UFN.125/L	<b>Nut, on Setscrews</b>		2	
C.724	<b>Washer, Shakeproof, under Nuts</b>		2	



**PLATE 16 WILL BE ISSUED  
AT A LATER DATE**

PLATE 16

**AUTOMATIC TRANSMISSION**  
**ACCELERATOR CONTROLS** (R.H. DRIVE CARS ONLY)  
 FITTED FROM CHASSIS No. 827001 TO 827193, 824001 TO 824584

Part No.	Description	Plate No.	No. per Unit	Remarks
C.13746	<b>ACCELERATOR PEDAL ASSEMBLY</b>		1	
C.11671	Rubber Pad, on Accelerator Pedal		1	
C.13743	<b>BRACKET ASSEMBLY, MOUNTING ACCELERATOR PEDAL</b>		1	
UFS.125/4R	Screw, Set, securing Bracket to Floor		3	
C.724	Washer, Shakeproof, on Setscrews		3	
UFS.125/8R	Stopscrew, for Accelerator Pedal		1	
UFN.225/L	Nut, locking Stopscrew		1	
C.6969	Fulcrum Pin, securing Pedal in Bracket		1	
C.3968/1	Nut, securing Fulcrum Pin		1	
FW.104/T	Washer, Plain, under Nut		1	
C.13748	<b>ACCELERATOR PEDAL SHAFT ASSEMBLY</b>		1	
BD.1814/2	Pop Rivet, securing Pedal Shaft to Dash at Spherical Bearing		3	
UFS.125/5R	Screw, Set, securing Pedal Shaft to Dash at Bracket		2	
FW.104/T	Washer, Plain, on Setscrews		2	
UFN.125/L	Nut, on Setscrews		2	
C.724	Washer, Shakeproof, under Nuts		2	
C.12486	Roller, on Shaft, for Accelerator Pedal		1	
L.103/6U	Split Pin, retaining Roller on Shaft		1	
C.386	Washer, Plain, under Split Pin		1	
310	<b>THROTTLE RETURN SPRING BETWEEN PEDAL SHAFT AND BRACKET ON PEDAL SEAL RETAINER</b>		1	
C.13755	<b>CONTROL ROD LINKING PEDAL SHAFT WITH CROSS SHAFT</b>		1	

# AUTOMATIC TRANSMISSION ACCELERATOR CONTROLS (R.H. DRIVE CARS ONLY)

FITTED FROM CHASSIS No. 827001 TO 827193, 824001 TO 824584

Part No.	Description	Plate No.	No. per Unit	Remarks
C.13818	<b>CROSS SHAFT ASSEMBLY</b>		1	
C.13310	Lever, for Kick Down Control		1	
UFS.131/6R	Pinch Bolt, securing Lever on Shaft		1	
C.725	Washer, Shakeproof, on Pinch Bolt		1	
UFS.125/5R	Screw, Set, securing Cross Shaft to Dash at Brackets		4	
C.724	Washer, Shakeproof, on Setscrews		4	
C.13308	Spherical Bearing, supporting Cross Shaft at L.H. Side		1	
BD.1814/2	Pop Rivet, securing Spherical Bearing		3	
C.13816	<b>CONTROL ROD LINKING CROSS SHAFT WITH THROTTLE SPINDLE</b>		1	
C.13458	Guide for Control Rod		1	
C.13459	Spherical Seat for Control Rod Guide		2	
C.6925	Spring, on Control Rod		1	
UFN.225/L	Nut, on Control Rod		2	
UFN.125/L	Nut, securing Control Rod to Throttle Spindle		1	
C.724	Washer, Shakeproof, under Nut		1	
L.102/4U	Split Pin, securing Control Rod to Cross Shaft		1	
FW.104/T	Washer, Plain, under Split Pin		1	
BD.1708/2	Washer, Double Coil Spring, under Plain Washer		1	
C.13407	<b>BRACKET FOR THROTTLE SPINDLE SUPPORT</b>		1	
C.8016	Grommet, in Bracket		1	
C.3477	Bush (Graphite Impregnated) in Grommet		1	
C.13630	Stop Bracket, for Throttle Lever		1	
UFS.125/5R	Screw, Set, securing Support and Stop Brackets to Dash		2	
FW.104/T	Washer, Plain, on Setscrews		2	
UFN.125/L	Nut, on Setscrews		2	
C.724	Washer, Shakeproof, under Nuts		2	
C.13450	<b>CONTROL ROD LINKING CROSS SHAFT WITH INTERMEDIATE KICK-DOWN LEVER</b>		1	
UFN.125/L	Nut, securing Control Rod		2	
C.724	Washer, Shakeproof, under Nuts		2	

**AUTOMATIC TRANSMISSION**  
**ACCELERATOR CONTROLS** (R.H. DRIVE CARS ONLY)  
 FITTED FROM CHASSIS No. 827001 TO 827193, 824001 TO 824584

Part No.	Description	Plate No.	No. per Unit	Remarks
C.13451	<b>INTERMEDIATE KICK-DOWN LEVER ASSEMBLY</b>		1	
C.13453	<b>SHAFT ASSEMBLY FOR MOUNTING OF INTERMEDIATE KICK-DOWN LEVER</b>		1	
C.8667/2 FW.104/T	<b>Nut, Self Locking, securing Lever on Shaft</b> <b>Washer, Plain, under Nut</b>		1 1	
UFS.125/5R UFN.125/L C.724	<b>Screw, Set, securing Shaft to Dash</b> <b>Nut, on Setscrews</b> <b>Washer, Shakeproof, under Nuts</b>		2 2 2	
C.13455	<b>KICK-DOWN CONTROL ROD FROM INTERMEDIATE LEVER TO TRANSMISSION UNIT</b>		1	
C.13309 L.102/4U AW.102/T	<b>Felt Washer, at fixings of Kick-Down Rod</b> <b>Split Pin, securing Kick-Down Rod</b> <b>Washer, Plain, under Split Pins</b>		2 2 2	
310	<b>RETURN SPRING BETWEEN LEVER ON TRANSMISSION UNIT AND BRACKET ON CHASSIS FRAME</b>		1	
C.14366	<b>RETURN SPRING BETWEEN LEVER ON TRANSMISSION UNIT AND BRACKET ON CHASSIS FRAME</b>		1	<b>REQUIRED ONLY WHEN IT IS NECESSARY TO LIGHTEN PEDAL PRESSURE.</b>
C.13499 UFS.119/6R C.723/A	<b>Bracket, anchoring Return Spring</b> <b>Screw, Set, securing Bracket to Chassis Frame</b> <b>Washer, Shakeproof, on Setscrew</b>		1 1 1	

**PLATE 17 WILL BE ISSUED  
AT A LATER DATE**

**PLATE 17**

**AUTOMATIC TRANSMISSION**  
**ACCELERATOR CONTROLS** (R.H. DRIVE CARS ONLY)  
 FITTED TO CHASSIS No. 820001 AND SUBS., 827194 AND SUBS., 824585 AND SUBS.

Part No.	Description	Plate No.	No. per Unit	Remarks
C.13746	<b>ACCELERATOR PEDAL ASSEMBLY</b>		1	
C.11671	<b>Rubber Pad, on Accelerator Pedal</b>		1	
C.13743	<b>BRACKET ASSEMBLY, MOUNTING ACCELERATOR PEDAL</b>		1	
UFS.125/4R	<b>Screw, Set, securing Bracket to Floor</b>		3	
C.724	<b>Washer, Shakeproof, on Setscrews</b>		3	
UFS.125/8R	<b>Stopscrew, for Accelerator Pedal</b>		1	
UFN.225/L	<b>Nut, locking Stopscrew</b>		1	
C.6969	<b>Fulcrum Pin, securing Pedal in Bracket</b>		1	
C.3968/1	<b>Nut, Self Locking, securing Fulcrum Pin</b>		1	
FW.104/T	<b>Washer, Plain, under Nut</b>		1	
C.13748	<b>ACCELERATOR PEDAL SHAFT ASSEMBLY</b>		1	
BD.1814/2	<b>Pop Rivet, securing Pedal Shaft to Dash at Spherical Bearing</b>		3	
UFS.125/5R	<b>Screw, Set, securing Pedal Shaft to Dash, at Bracket</b>		2	
FW.104/T	<b>Washer, Plain, on Setscrews</b>		2	
UFN.125/L	<b>Nut, on Setscrews</b>		2	
C.724	<b>Washer, Shakeproof, under Nuts</b>		2	
C.12486	<b>Roller, on Shaft, for Accelerator Pedal</b>		1	
L.103/6U	<b>Split Pin, retaining Roller</b>		1	
C.386	<b>Washer, Plain, under Split Pin</b>		1	
310	<b>THROTTLE RETURN SPRING BETWEEN PEDAL SHAFT AND BRACKET ON PEDAL SEAL RETAINER</b>		1	
C.13755	<b>CONTROL ROD LINKING PEDAL SHAFT WITH INTERMEDIATE LEVER</b>		1	

**AUTOMATIC TRANSMISSION**  
**ACCELERATOR CONTROLS** (R.H. DRIVE CARS ONLY)  
 FITTED TO CHASSIS No. 820001 AND SUBS., 827194 AND SUBS., 824585 AND SUBS.

Part No.	Description	Plate No.	No. per Unit	Remarks
C.14195	<b>INTERMEDIATE LEVER ASSEMBLY ON DASH</b>		1	
UFS.125/5R C.724	<b>Screw, Set, securing Intermediate Lever to Dash</b> <b>Washer, Shakeproof, on Setscrews</b>		4 4	
C.13816	<b>CONTROL ROD LINKING INTER- MEDIATE LEVER WITH THROTTLE SPINDLE</b>		1	
C.13458	<b>Guide for Control Rod</b>		1	
C.13459	<b>Spherical Seat for Control Rod Guide</b>		2	
C.6925	<b>Spring, on Control Rod</b>		1	
UFN.225/L	<b>Nut, on Control Rod</b>		2	
UFN.125/L C.724	<b>Nut, securing Control Rod to Throttle Spindle</b> <b>Washer, Shakeproof, under Nut</b>		1 1	
L.102/4U	<b>Split Pin, securing Control Rod to Intermediate Lever</b>		1	
FW.104/T	<b>Washer, Plain, under Split Pin</b>		1	
BD.1708/2	<b>Washer, Double Coil Spring, under Plain Washer</b>		1	
C.13407	<b>BRACKET FOR THROTTLE SPINDLE SUPPORT</b>		1	
C.8016	<b>Grommet, in Bracket</b>		1	
C.3477	<b>Bush (Graphite Impregnated) in Grommet</b>		1	
C.13630	<b>Stop Bracket, for Throttle Lever</b>		1	
UFS.125/5R	<b>Screw, Set, securing Support and Stop Brackets to Dash</b>		2	
UFN.125/L C.724	<b>Nut, on Setscrews</b> <b>Washer, Shakeproof, under Nuts</b>		2 2	
C.14216	<b>CONTROL ROD LINKING INTER- MEDIATE LEVER WITH KICK-DOWN CROSS SHAFT</b>		1	
UFN.125/L C.724	<b>Nut, securing Control Rod</b> <b>Washer, Shakeproof, under Nuts</b>		2 2	

# AUTOMATIC TRANSMISSION

## ACCELERATOR CONTROLS (R.H. DRIVE CARS ONLY)

FITTED TO CHASSIS No. 820001 AND SUBS., 827194 AND SUBS., 824585 AND SUBS.

Part No.	Description	Plate No.	No. per Unit	Remarks
C.14192	<b>CROSS SHAFT ASSEMBLY FOR KICK-DOWN CONTROL</b>		1	
C.13308 BD.1814/2	<b>Spherical Bearing</b> , supporting Cross Shaft at R.H. Side <b>Pop Rivet</b> , securing Spherical Bearing		1 3	
UFS.125/4R C.724	<b>Screw, Set</b> , securing Cross Shaft to Dash at L.H. Side <b>Washer</b> , Shakeproof, on Setscrews		2 2	
C.13455	<b>KICK-DOWN CONTROL ROD FROM CROSS SHAFT TO TRANSMISSION UNIT</b>		1	} Fitted from Chassis No. 827194 to 827206 824585 to 824591
C.13309 L.102/4U AW.102/T	<b>Felt Washer</b> at fixings of Control Rod <b>Split Pin</b> , securing Kick-Down Control Rod <b>Washer</b> , Plain, under Split Pins		2 2 2	
C.14819	<b>KICK-DOWN CONTROL ROD (LONG) CONNECTING CROSS SHAFT WITH TRANSMISSION UNIT</b>		1	} Fitted to Chassis No. 820001 and subs. 827207 and subs. 824592 and subs.
C.14818	<b>KICK-DOWN CONTROL ROD (SHORT) CONNECTING CROSS SHAFT WITH TRANSMISSION UNIT</b>		1	
C.14820 UFN.219/L C.14822	<b>Adjusting Nut</b> , linking Control Rods <b>Nut</b> (R.H. Thread) locking Adjusting Nut <b>Nut</b> (L.H. Thread) locking Adjusting Nut		1 1 1	
C.13309 L.102/4U AW.102/T	<b>Felt Washer</b> , at fixing of Control Rods <b>Split Pin</b> , securing Kick-Down Control Rods <b>Washer</b> , Plain, under Split Pins		2 2 2	
310	<b>RETURN SPRING BETWEEN LEVER ON TRANSMISSION UNIT AND BRACKET ON CHASSIS FRAME</b>		1	
C.14366	<b>RETURN SPRING BETWEEN LEVER ON TRANSMISSION UNIT AND BRACKET ON CHASSIS FRAME</b>		1	<b>REQUIRED ONLY WHEN IT IS NECESSARY TO LIGHTEN PEDAL PRESSURE.</b>
C.13499 UFS.119/6R C.723/A	<b>Bracket</b> , anchoring Return Spring <b>Screw, Set</b> , securing Bracket to Chassis Frame <b>Washer</b> , Shakeproof, on Setscrew		1 1 1	



**PLATE 18 WILL BE ISSUED  
AT A LATER DATE**

**PLATE 18**

# AUTOMATIC TRANSMISSION

## ACCELERATOR CONTROLS (L.H. DRIVE CARS ONLY)

FITTED FROM CHASSIS No. 830001 TO 831139, 837001 TO 837627, 834001 TO 835718

Part No.	Description	Plate No.	No. per Unit	Remarks
C.4956	<b>ACCELERATOR PEDAL ASSEMBLY</b>		1	
C.3473	Rubber Pad on Accelerator Pedal		1	
C.8667/2	Nut, Self-Locking, securing Accelerator Pedal to Bracket on Clutch Housing		1	
FW.105/T	Washer, Plain, under Nut		1	
C.13206	<b>BRACKET, ON UNDERSIDE OF TOE BOARD, FOR MOUNTING OF FULCRUM LEVER</b>			
UFS.125/5R	Screw, Set, securing Bracket to Toe-Board		3	
UFN.125/L	Nut, on Setscrews		3	
C.724	Washer, Shakeproof, under Nuts		3	
C.13203	<b>FULCRUM LEVER ASSEMBLY FOR CONNECTION OF CONTROL RODS BETWEEN PEDAL AND CROSS SHAFT</b>		1	
C.6969	Fulcrum Pin, securing Fulcrum Lever in Bracket		1	
C.3968/1	Nut, Self Locking, securing Fulcrum Pin		1	
FW.104/T	Washer, Plain, under Nut		1	
C.13628	Anchor Bracket, under Nut, for Throttle Return Spring		1	
C.13406	<b>PUSH ROD LINKING ACCELERATOR PEDAL WITH FULCRUM LEVER</b>		1	
C.4989	Rubber Gaiter on Push Rod		1	
C.13495	<b>CONTROL ROD, LINKING FULCRUM LEVER WITH CROSS SHAFT</b>		1	
UFN.125/L	Nut, securing Control Rod		2	
C.724	Washer, Shakeproof, under Nuts		2	
C.13575	Retainer, under Nut at Cross Shaft, for Throttle Return Spring		1	

**AUTOMATIC TRANSMISSION**  
**ACCELERATOR CONTROLS** (L.H. DRIVE CARS ONLY)  
 FITTED FROM CHASSIS No. 830001 TO 831139, 837001 TO 837627, 834001 TO 835718

Part No.	Description	Plate No.	No. per Unit	Remarks
C.13438	<b>CROSS SHAFT ASSEMBLY</b>		1	
310	<b>Throttle Return Spring</b> , between Kick-Down Lever and Bracket at Fulcrum Lever		1	
C.13403	<b>BRACKET ASSEMBLY MOUNTING CROSS SHAFT TO DASH</b>		2	
UFS.125/5R C.724	<b>Screw</b> , Set, securing Brackets to Dash <b>Washer</b> , Shakeproof, on Setscrews		4 4	
C.13316	<b>Spacing Collar</b> , locating Cross Shaft		1	
L.103/6U	<b>Split Pin</b> , retaining Cross Shaft		1	
C.386	<b>Washer</b> , Plain, under Split Pin		1	
BD.1708/2	<b>Washer</b> , Double Coil Spring, under Plain Washer		1	
C.13450	<b>CONTROL ROD FROM CROSS SHAFT KICK-DOWN LEVER TO INTER-MEDIATE LEVER</b>		1	
UFN.125/L C.724	<b>Nut</b> , securing Control Rod <b>Washer</b> , Shakeproof, under Nuts		2 2	
C.13451	<b>INTERMEDIATE KICK-DOWN LEVER ASSEMBLY</b>		1	
C.13453	<b>SHAFT ASSEMBLY FOR MOUNTING OF INTERMEDIATE KICK-DOWN LEVER</b>		1	
C.8667/2 FW.105/T	<b>Nut</b> , Self Locking, securing Lever on Shaft <b>Washer</b> , Plain, under Nut		1 1	
UFS.125/5R	<b>Screw</b> , Set, securing Shaft to Dash		2	
UFN.125/L	<b>Nut</b> , on Setscrews		2	
C.724	<b>Washer</b> , Shakeproof, under Nuts		2	
C.13455	<b>KICK-DOWN CONTROL ROD FROM INTERMEDIATE LEVER TO TRANSMISSION UNIT</b>		1	
C.13309	<b>Felt Washer</b> , at fixings of Kick-Down Rod		2	
L.102/4U	<b>Split Pin</b> , securing Kick-Down Rod		2	
AW.102/T	<b>Washer</b> , Plain, under Split Pins		2	

**AUTOMATIC TRANSMISSION**  
**ACCELERATOR CONTROLS** (L.H. DRIVE CARS ONLY)  
 FITTED TO CHASSIS No. 831140 AND SUBS., 837628 AND SUBS., 835719 AND SUBS.

Part No.	Description	Plate No.	No. per Unit	Remarks
C.13746	<b>ACCELERATOR PEDAL ASSEMBLY</b>		1	
C.11671	<b>Rubber Pad</b> , on Accelerator Pedal		1	
C.13743	<b>BRACKET ASSEMBLY MOUNTING ACCELERATOR PEDAL</b>		1	
UFS.125/4R	<b>Screw</b> , Set, securing Bracket to Floor		3	
C.724	<b>Washer</b> , Shakeproof, on Setscrews		3	
UFS.125/8R	<b>Stopscrew</b> , for Accelerator Pedal		1	
UFN.225/L	<b>Nut</b> , locking Stopscrew		1	
C.6969	<b>Fulcrum Pin</b> , securing Pedal in Bracket		1	
C.3968/1	<b>Nut</b> , securing Fulcrum Pin		1	
FW.104/T	<b>Washer</b> , Plain, under Nut		1	
C.14191	<b>ACCELERATOR PEDAL SHAFT ASSEMBLY</b>		1	
C.13308	<b>Bearing Assembly</b> supporting Shaft at R.H. side		1	
BD.1814/2	<b>Pop Rivet</b> , securing Bearing to Dash		3	
UFS.125/5R	<b>Screw</b> , Set, securing Pedal Shaft to L.H. side of Dash		2	
C.724	<b>Washer</b> , Shakeproof, on Setscrews		2	
C.12486	<b>Roller</b> , on Shaft, for Accelerator Pedal		1	
L.103/6U	<b>Split Pin</b> , retaining Roller		1	
C.386	<b>Washer</b> , Plain, under Split Pin		1	
C.13455	<b>KICK-DOWN CONTROL ROD FROM PEDAL SHAFT LEVER TO TRANSMISSION UNIT</b>		1	Fitted from Chassis No. 831140 to 831266 837628 to 837654 835719 to 835750
C.13309	<b>Felt Washer</b> , at fixings of Kick-Down Rod		2	
L.102/4U	<b>Split Pin</b> , securing Kick-Down Rod		2	
AW.102/T	<b>Washer</b> , Plain, under Split Pins		2	

# AUTOMATIC TRANSMISSION ACCELERATOR CONTROLS (L.H. DRIVE CARS ONLY)

FITTED TO CHASSIS No. 831140 AND SUBS., 837628 AND SUBS., 835719 AND SUBS.

Part No.	Description	Plate No.	No. per Unit	Remarks
C.14819	<b>KICK-DOWN CONTROL ROD (LONG) FROM PEDAL SHAFT LEVER TO TRANSMISSION UNIT</b>		1	} Fitted to Chassis No. 831267 and subs. 837655 and subs. 835751 and subs.
C.14818	<b>KICK-DOWN CONTROL ROD (SHORT) FROM PEDAL SHAFT LEVER TO TRANSMISSION UNIT</b>		1	
C.14820	<b>Adjusting Nut</b> , linking Control Rods		1	
UFN.219/L	<b>Nut</b> (R.H. Thread) locking Adjusting Nut		1	
C.14822	<b>Nut</b> (L.H. Thread) locking Adjusting Nut		1	
C.13309	<b>Felt Washer</b> , at fixing of Control Rods		2	
L.102/4U AW.102/T	<b>Split Pin</b> , securing Kick-Down Rods <b>Washer</b> , Plain, under Split Pins		2 2	
310	<b>RETURN SPRING BETWEEN LEVER ON TRANSMISSION UNIT AND BRACKET ON CHASSIS FRAME</b>		1	
C.14366	<b>RETURN SPRING BETWEEN LEVER ON TRANSMISSION UNIT AND BRACKET ON CHASSIS FRAME</b>		1	<b>REQUIRED ONLY WHEN IT IS NECESSARY TO LIGHTEN PEDAL PRESSURE.</b>
C.13499	<b>Bracket</b> , anchoring Return Spring		1	
UFS.119/6R	<b>Screw</b> , Set, securing Bracket to Chassis Frame		1	
C.723/A	<b>Washer</b> , Shakeproof, on Setscrew		1	
C.14216	<b>CONTROL ROD LINKING PEDAL SHAFT WITH INTERMEDIATE LEVER</b>		1	
UFN.125/L	<b>Nut</b> , securing Control Rod		2	
C.724	<b>Washer</b> , Shakeproof, under Nuts		2	
C.14194	<b>INTERMEDIATE LEVER ASSEMBLY ON DASH</b>		1	
UFS.125/4R	<b>Screw</b> , Set, securing Intermediate Lever to Dash		4	
C.724	<b>Washer</b> , Shakeproof, on Setscrews		4	

# AUTOMATIC TRANSMISSION

## ACCELERATOR CONTROLS (L.H. DRIVE CARS ONLY)

FITTED TO CHASSIS No. 831140 AND SUBS., 837628 AND SUBS., 835719 AND SUBS.

Part No.	Description	Plate No.	No. per Unit	Remarks
310	<b>THROTTLE RETURN SPRING BETWEEN INTERMEDIATE LEVER AND BRACKET ON DASH</b>		1	
C.14393	Bracket, anchoring Throttle Return Spring		1	
C.13816	<b>CONTROL ROD LINKING INTERMEDIATE LEVER WITH THROTTLE SPINDLE</b>		1	
C.13458	Guide for Control Rod		1	
C.13459	Spherical Seat, for Control Rod Guide		2	
C.6925	Spring, on Control Rod		1	
UFN.225/L	Nut, on Control Rod		2	
UFN.125/L	Nut, securing Control Rod to Throttle Spindle		1	
C.724	Washer, Shakeproof, under Nut		1	
L.102/4U	Split Pin, securing Control Rod to Intermediate Lever		1	
FW.104/T	Washer, Plain, under Split Pin		1	
BD.1708/2	Washer, Double Coil Spring, under Plain Washer		1	
C.13407	<b>BRACKET FOR THROTTLE SPINDLE SUPPORT</b>		1	
C.8016	Grommet, in Bracket		1	
C.3477	Bush (Graphite Impregnated) in Grommet		1	
C.13630	Stop Bracket, for Throttle Lever		1	
UFS.125/5R	Screw, Set, securing Support and Stop Brackets to Dash		2	
FW.104/T	Washer, Plain, on Setscrews		2	
UFN.125/L	Nut, on Setscrews		2	
C.724	Washer, Shakeproof, under Nuts		2	

**PLATE 20 WILL BE ISSUED  
AT A LATER DATE**

**“S” MODELS**  
**ACCELERATOR CONTROLS** (R.H. DRIVE CARS ONLY)

Part No.	Description	Plate No.	No. per Unit	Remarks
C.13746	<b>ACCELERATOR PEDAL ASSEMBLY</b>		1	
C.11671	<b>Rubber Pad</b> , on Accelerator Pedal		1	
C.13743	<b>BRACKET ASSEMBLY MOUNTING ACCELERATOR PEDAL</b>		1	
UFS.125/4R	<b>Screw</b> , Set, securing Bracket to Floor		3	
C.724	<b>Washer</b> , Shakeproof, on Setscrews		3	
UFS.125/8R	<b>Stopscrew</b> , for Accelerator Pedal		1	
UFN.225/L	<b>Nut</b> , locking Stopscrew		1	
C.6969	<b>Fulcrum Pin</b> , securing Pedal in Bracket		1	
C.3968/1	<b>Nut</b> , Self Locking, securing Fulcrum Pin		1	
FW.104/T	<b>Washer</b> , Plain, under Nut		1	
C.14118	<b>ACCELERATOR PEDAL SHAFT ASSEMBLY</b>		1	
BD.1814/2	<b>Pop Rivet</b> , securing Pedal Shaft to Dash at Spherical Bearing		3	
UFS.125/5R	<b>Screw</b> , Set, securing Pedal Shaft to Dash at Bracket		2	
FW.104/T	<b>Washer</b> , Plain, on Setscrews		2	
UFN.125/L	<b>Nut</b> , on Setscrews		2	
C.724	<b>Washer</b> , Shakeproof, under Nuts		2	
C.12486	<b>Roller</b> , on Shaft, for Accelerator Pedal		1	
L.103/6U	<b>Split Pin</b> , retaining Roller		1	
C.386	<b>Washer</b> , Plain, under Split Pin		1	
C.15997	<b>STIFFENER, UNDER PEDAL SHAFT BRACKET</b>		1	
C.13450	<b>CONTROL ROD LINKING ACCELERATOR PEDAL SHAFT WITH LEVER ON THROTTLE SLAVE SHAFT</b>		1	
UFN.125/L	<b>Nut</b> , securing Control Rod		2	
C.724	<b>Washer</b> , Shakeproof, under Nuts		2	



# "S" MODELS

## ACCELERATOR CONTROLS (R.H. DRIVE CARS ONLY)

Part No.	Description	Plate No.	No. per Unit	Remarks
C.14128	<b>LEVER, ON REAR SLAVE SHAFT, FOR CONNECTION OF CONTROL ROD (AUC 4055)</b>		1	
5803	<b>Bolt</b> clamping Lever on Slave Shaft		1	
5614	<b>Nut</b> , on Bolt		1	
7966	<b>Washer, Spring</b> , under Nut		1	
C.14145	<b>FRONT SLAVE SHAFT FOR THROTTLE OPERATION</b>		1	
C.14147	<b>REAR SLAVE SHAFT FOR THROTTLE OPERATION</b>		1	
C.14103	<b>LEVER, ON THROTTLE SLAVE SHAFTS, FOR CONNECTION OF CONTROL RODS TO CARBURETTERS (AUC.4054)</b>		3	
5803	<b>Bolt</b> , securing Levers to Slave Shafts		3	
5614	<b>Nut</b> , on Bolts		3	
7966	<b>Washer, Spring</b> , under Nuts		3	
C.14359	<b>Distance Piece</b> , on Rear Slave Shaft, between boss on Air Pipe and Lever for Centre Carburetter		1	
C.11635	<b>COUPLING, LINKING FRONT AND REAR SLAVE SHAFTS</b>		1	
5803	<b>Bolt</b> through Coupling		2	
5614	<b>Nut</b> on Bolts		2	
7966	<b>Washer, Spring</b> , under Nuts		2	
C.14104	<b>CONTROL ROD, LINKING LEVERS ON SLAVE SHAFTS WITH CARBURETTERS</b>		3	
C.13824	<b>Clip</b> , securing Control Rods		6	

**PLATE 21 WILL BE ISSUED  
AT A LATER DATE**

**"S" MODELS**  
**ACCELERATOR CONTROLS** (L.H. DRIVE CARS ONLY)

Part No.	Description	Plate No.	No. per Unit	Remarks
C.13746	<b>ACCELERATOR PEDAL ASSEMBLY</b>		1	
C.11671	<b>Rubber Pad, on Accelerator Pedal</b>		1	
C.13743	<b>BRACKET ASSEMBLY, MOUNTING ACCELERATOR PEDAL</b>		1	
UFS.125/4R	<b>Screw, Set, securing Bracket to Floor</b>		3	
C.724	<b>Washer, Shakeproof, on Setscrews</b>		2	
UFS.125/8R	<b>Stopscrew, for Accelerator Pedal</b>		1	
UFN.225/L	<b>Nut, locking Stopscrew</b>		1	
C.6969	<b>Fulcrum Pin, securing Pedal in Bracket</b>		1	
C.3968/1	<b>Nut, Self Locking, securing Fulcrum Pin</b>		1	
FW.104/T	<b>Washer, Plain, under Nut</b>		1	
C.14190	<b>CROSS SHAFT ASSEMBLY ON DASH</b>		1	
C.13308	<b>Bearing Assembly, supporting Cross Shaft at R.H. side</b>		1	
BD.1814/2	<b>Pop Rivet, securing Bearing to Dash</b>		3	
UFS.125/3R	<b>Screw, Set, securing Cross Shaft Bracket to L.H. side of Dash</b>		2	
C.724	<b>Washer, Shakeproof, on Setscrews</b>		2	
FW.104/T	<b>Washer, Plain, under Shakeproof Washers</b>		2	
C.12486	<b>Roller, on Cross Shaft, for Accelerator Pedal</b>		1	
L.103/6U	<b>Split Pin, retaining Roller on Shaft</b>		1	
C.386	<b>Washer, Plain, under Split Pin</b>		1	
C.14167	<b>CONTROL ROD LINKING LEVER ON CROSS SHAFT WITH INTERMEDIATE LEVER</b>		1	
C.13806	<b>Clip, securing Control Rod</b>		2	

**"S" MODELS**  
**ACCELERATOR CONTROLS** (L.H. DRIVE CARS ONLY)

Part No.	Description	Plate No.	No. per Unit	Remarks
C.14109	<b>INTERMEDIATE LEVER ASSEMBLY AT R.H. SIDE OF DASH</b>		1	
C.14115	<b>Bearing Bracket Assembly</b> , supporting end of Intermediate Lever		1	
C.13316	<b>Distance Washer</b> , at each side of Bearing		2	
L.103/6U	<b>Split Pin</b> , retaining Bearing Bracket		1	
C.386	<b>Washer</b> , Plain, under Split Pin		1	
BD.1708/2	<b>Washer</b> , Double Coil Spring, under Plain Washer		1	
UFS.125/5R	<b>Screw</b> , Set, securing Intermediate Lever to Dash		4	
C.724	<b>Washer</b> , Shakeproof, on Setscrews		4	
FW.104/T	<b>Washer</b> , Plain, under Shakeproof Washers		4	
C.13450	<b>CONTROL ROD LINKING INTERMEDIATE LEVER WITH LEVER ON THROTTLE SLAVE SHAFT</b>		1	
UFN.125/L	<b>Nut</b> , securing Control Rod		2	
C.724	<b>Washer</b> , Shakeproof, under Nuts		2	
C.14128	<b>LEVER, ON REAR SLAVE SHAFT, FOR CONNECTION OF CONTROL ROD (AUC.4055)</b>		1	
5803	<b>Bolt</b> , clamping Lever on Slave Shaft		1	
5614	<b>Nut</b> , on Bolt		1	
7966	<b>Washer</b> , Spring, under Nut		1	
C.14145	<b>FRONT SLAVE SHAFT FOR THROTTLE OPERATION</b>		1	
C.14147	<b>REAR SLAVE SHAFT FOR THROTTLE OPERATION</b>		1	

**"S" MODELS**  
**ACCELERATOR CONTROLS** (L.H. DRIVE CARS ONLY)

Part No.	Description	Plate No.	No. per Unit	Remarks
C.14103	<b>LEVER, ON THROTTLE SLAVE SHAFTS, FOR CONNECTION OF CONTROL RODS TO CARBURETTERS (AUC.4054)</b>		3	
5803	<b>Bolt, securing Levers to Slave Shafts</b>		3	
5614	<b>Nut, on Bolts</b>		3	
7966	<b>Washer, Spring, under Nuts</b>		3	
C.14359	<b>Distance Piece, on Rear Slave Shaft, between Boss on Air Pipe and Lever for Centre Carburetter</b>		1	
C.11635	<b>COUPLING, LINKING FRONT AND REAR SLAVE SHAFTS</b>		1	
5803	<b>Bolt, through Coupling</b>		2	
5614	<b>Nut, on Bolts</b>		2	
7966	<b>Washer, Spring, under Nuts</b>		2	
C.14104	<b>CONTROL ROD, LINKING LEVERS ON SLAVE SHAFTS WITH CARBURETTERS</b>		3	
C.13824	<b>Clip, securing Control Rods</b>		6	

**PLATE 22 WILL BE ISSUED  
AT A LATER DATE**

# FUEL SYSTEM

## FOR XK.150 MODELS ONLY

Part No.	Description	Plate No.	No. per Unit	Remarks
C.8352	<b>PETROL TANK ASSEMBLY</b>		1	} Fitted from Chassis No. 830001 to 830559 827001 to 827093 837001 to 837467 824001 to 824452 834001 to 835588
C.990/1	Filter Assembly, at bottom of Tank		1	
C.1617	Washer, on Filter		1	
C.14403	<b>PETROL TANK ASSEMBLY</b>	73- 1	1	} Fitted to Chassis No. 820001 and subs. 830560 and subs. 827094 and subs. 837468 and subs. 824453 and subs. 835589 and subs.
C.990/1	Filter Assembly, at bottom of Tank	73- 2	1	
C.1617	Washer, on Filter	73- 3	1	
C.14401	Ventilation Hose, from Tank to Petrol Filler Box	73- 4	1	
C.2905/1	Clip, securing Ventilation Hose		2	
BD.4368	<b>HOSE, CONNECTING TANK TO PETROL FILLER BOX</b>	73- 5	1	
C.2905/7	Clip, securing Hose		2	
C.8407	<b>PETROL TANK ELEMENT UNIT (SMITH'S Y.86030)</b>	73- 6	1	
C.937	Gasket, under Element Unit	73- 7	1	
NS.313/3H	Screw, Set, securing Element Unit		6	
C.2296/9	Copper Washer, on Setscrews		12	
C.8368	<b>STUD, SECURING PETROL TANK TO TIE TUBE ON CHASSIS FRAME REAR EXTENSION</b>	73- 8	2	
C.741	Washer, Shakeproof, at top of Studs	73- 9	2	
C.8370	Rubber Pad, at bottom of Studs	73-10	2	
C.8374	Washer, Special, at each side of Mounting Brackets on Petrol Tank	73-11	4	
NN.131/L	Nut, securing Petrol Tank	73-12	2	
NN.231/L	Locknut, on Studs	73-13	2	

# FUEL SYSTEM

## FOR XK.150 MODELS ONLY

Part No.	Description	Plate No.	No. per Unit	Remarks
C.8369	<b>BOLT SECURING PETROL TANK TO TUBULAR CROSS MEMBER ON CHASSIS FRAME REAR EXTENSION</b>	73-14	2	
C.8370	Rubber Pad, on Bolts	73-15	2	
NN.131/L	Nut, on Bolts	73-16	2	
C.8374	Washer, Special, under Nuts	73-17	2	
NN.231/L	Locknut, on Bolts	73-18	2	
C.8371	Felt Strip, seating Petrol Tank (9"×2"× $\frac{1}{8}$ ")		1	
C.8372	Felt Strip, seating Petrol Tank (7"×2"× $\frac{1}{8}$ ")		1	
C.8373	Felt Strip, seating Petrol Tank (18"×2"× $\frac{1}{8}$ ")		2	
C.8414	Felt Strip, seating Petrol Tank (44"×1"× $\frac{1}{8}$ ")		1	
C.7555	<b>PETROL PIPE (REAR) FROM TANK TO CENTRE PIPE</b>	73-19	1	
C.1040/12	Clip, securing Rear Pipe to Bumper Bracket on Chassis Frame		1	
NS.125/4D	Screw, Set, securing Clip		1	
NN.125/L	Nut, on Setscrew		1	
C.724	Washer, Shakeproof, under Nut		1	
C.7556	<b>PETROL PIPE (CENTRE) FROM REAR PIPE TO INLET SIDE OF PETROL PUMP</b>		1	Fitted from Chassis No. 830001 to 831142 827001 to 827212 837001 to 837628 824001 to 824609 834001 to 835717
C.7557	<b>PETROL PIPE (FRONT) FROM OUT-LET SIDE OF PETROL PUMP TO FLEXIBLE PIPE</b>		1	
C.14341	<b>PETROL PIPE (CENTRE) FROM REAR PIPE TO INLET SIDE OF PETROL PUMP</b>	73-20	1	Fitted from Chassis No. 820001 to 820016 831143 to 831898 827213 to 827271 837629 to 837940 824610 to 824741 835718 to 835934
C.14342	<b>PETROL PIPE (FRONT) FROM OUT-LET SIDE OF PETROL PUMP TO FLEXIBLE PIPE</b>	73-21	1	
C.1506	Banjo Bolt, securing Front Pipe to Pump	73-22	1	
C.11489	Fibre Washer, on Banjo Bolt	73-23	2	



# FUEL SYSTEM

## FOR XK.150 MODELS ONLY

Part No.	Description	Plate No.	No. per Unit	Remarks
C.14341	<b>PETROL PIPE (CENTRE) FROM REAR PIPE TO INLET SIDE OF PETROL PUMP</b>	73-20	1	} Fitted from Chassis No. 820017 to 820039 831899 to 832080 827272 to 827358 837941 to 838246 824742 to 824884 835935 to 836191
C.14342	<b>PETROL PIPE (FRONT) FROM OUT-LET SIDE OF PETROL PUMP TO INTERMEDIATE PIPE</b>	73-21	1	
C.1506	<b>Banjo Bolt</b> , securing Front Pipe to Pump	73-22	1	
C.11489	<b>Fibre Washer</b> , on Banjo Bolt	73-23	2	
C.14341	<b>PETROL PIPE (CENTRE) FROM REAR PIPE TO INLET SIDE OF PETROL PUMP</b>	73-20	1	} Fitted to Chassis No. 820040 and subs. 832081 and subs. 827359 and subs. 838247 and subs. 824885 and subs. 836192 and subs.
C.14342	<b>PETROL PIPE (FRONT) FROM OUT-LET SIDE OF PETROL PUMP TO FLEXIBLE PIPE</b>	73-21	1	
C.1506	<b>Banjo Bolt</b> , securing Front Pipe to Pump	73-22	1	
C.11489	<b>Fibre Washer</b> , on Banjo Bolt	73-23	2	
C.3727	<b>Clip</b> , securing Front Petrol Pipe to Chassis Frame Side Member		5	
C.1040/7	<b>Clip</b> , securing Front Petrol Pipe to Dash		1	
AS.402/4H	<b>Screw</b> , Set, securing Clip		1	
AN.102/L	<b>Nut</b> , on Setscrew		1	
C.723	<b>Washer</b> , Shakeproof, under Nut		1	
C.9688/1	<b>PETROL PUMP (4644/1 — AUA 52)</b>	73-24	1	
C.800	<b>Stud</b> , for mounting of Petrol Pump	73-25	2	
C.974	<b>Grommet</b> , on Studs	73-26	2	
C.2539/1	<b>Nut</b> , on Studs	73-27	2	
FW.205/T	<b>Washer</b> , Plain, on Studs	73-28	6	
C.3629	<b>FLEXIBLE PETROL PIPE FROM FRONT PIPE TO CARBURETTER FEED PIPE</b>	73-29	1	Fitted from Chassis No. 820001 to 820016 830001 to 831898 827001 to 827271 837001 to 837940 824001 to 824741 834001 to 835934

# FUEL SYSTEM

## FOR XK.150 MODELS ONLY

Part No.	Description	Plate No.	No. per Unit	Remarks
C.3629	<b>FLEXIBLE PETROL PIPE FROM FRONT PIPE TO INTERMEDIATE PIPE</b>	73-29	1	Fitted to Chassis No. 820040 and subs. 832081 and subs. 827359 and subs. 838247 and subs. 824885 and subs. 836192 and subs.
C.14730	<b>PETROL PIPE (INTERMEDIATE) FROM FRONT PIPE TO FILTER</b>		1	Fitted from Chassis No. 820017 to 820039 831899 to 832080 827272 to 827358 837941 to 838246 824742 to 824884 835935 to 836191
C.14685	Union Nut, fixing Intermediate Pipe to Flexible Pipe		1	
C.11575	Olive, on Intermediate Pipe		1	
C.15940	<b>PETROL PIPE (INTERMEDIATE) FROM FLEXIBLE PIPE TO FILTER</b>	73-30	1	Fitted to Chassis No. 820040 and subs. 832081 and subs. 827359 and subs. 838247 and subs. 824885 and subs. 836192 and subs.
C.11576	Union Nut, fixing Intermediate Pipe to Flexible Pipe		1	
C.11575	Olive, on Intermediate Pipe		1	
C.13681	<b>PETROL FILTER ASSEMBLY (AC.7950001)</b>	73-31	1	Fitted to Chassis No. 820017 and subs. 831899 and subs. 827272 and subs. 837941 and subs. 824742 and subs. 835935 and subs.
UFS.131/6R	Screw, Set, securing Filter to R.H. Wing Valance		2	
UFN.131/L	Nut, on Setscrews		2	
FG.105/X	Washer, Spring, under Nuts		2	
C.14492	<b>FLEXIBLE PETROL PIPE FROM FILTER TO CARBURETTER FEED PIPE</b>	73-32	1	Fitted to Chassis No. 820017 and subs. 831899 and subs. 827272 and subs. 837941 and subs. 824742 and subs. 835935 and subs.
C.13705	Banjo Bolt, securing Intermediate and Flexible Pipes to Filter	73-33	2	
C.784	Fibre Washer, on Banjo Bolts	73-34	4	

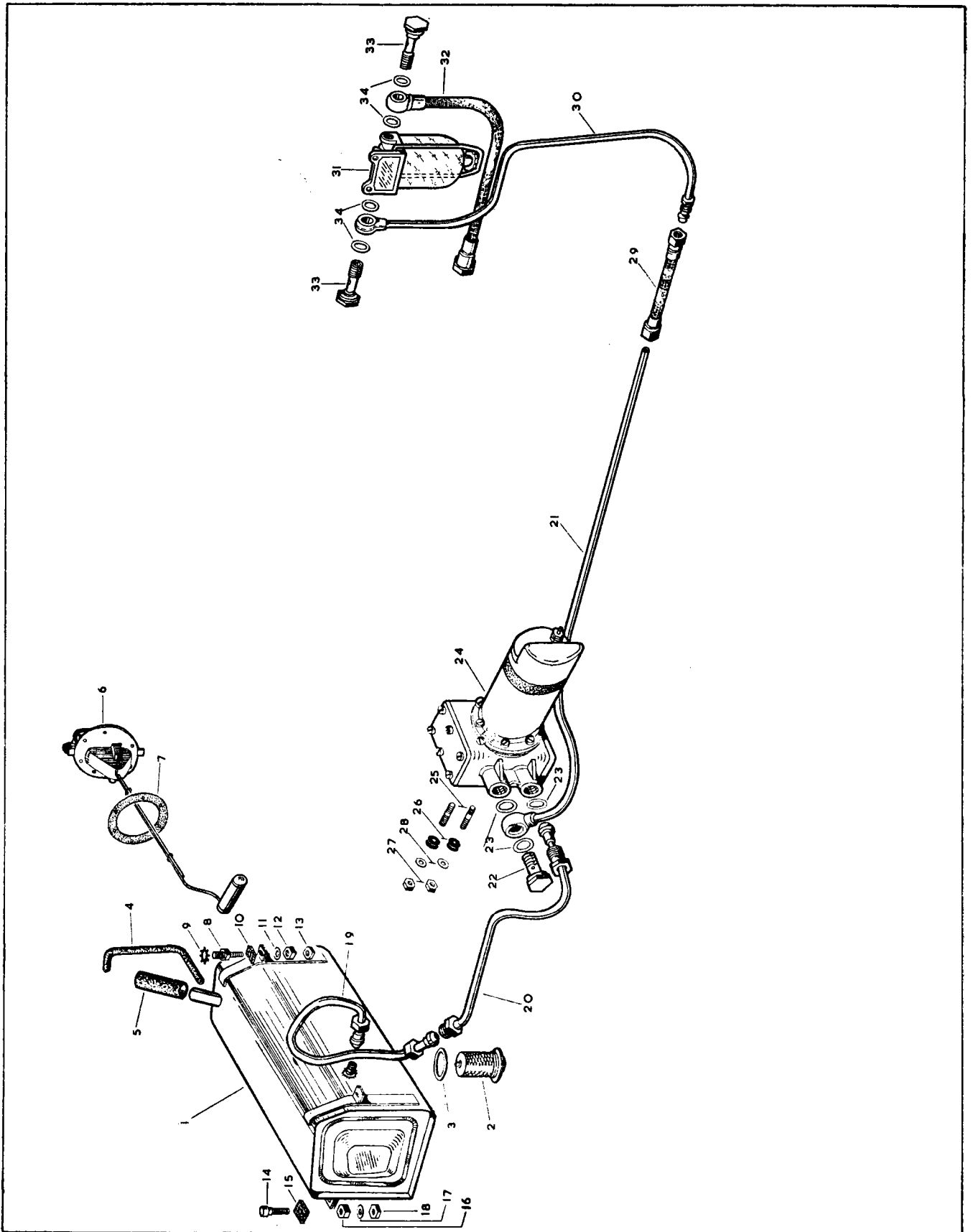


PLATE 73

# FUEL SYSTEM

## FOR XK.150 'S' MODELS ONLY

Part No.	Description	Plate No.	No. per Unit	Remarks
C.8352	<b>PETROL TANK ASSEMBLY</b>		1	} <b>FITTED ONLY TO L.H. DRIVE OPEN MODELS</b> from Chassis No. 830336 to 830559
C.990/1	Filter Assembly, at bottom of Tank		1	
C.1617	Washer, on Filter		1	
C.14403	<b>PETROL TANK ASSEMBLY</b>	74- 1	1	} Fitted to Chassis No. 820005 and subs. 830560 and subs. 827334 and subs. 837993 and subs. 824789 and subs. 835961 and subs.
C.990/1	Filter Assembly, at bottom of Tank	74- 2	1	
C.1617	Washer, on Filter	74- 3	1	
C.14401	Ventilation Hose, from Tank to Petrol Filler Box	74- 4	1	
C.2905/1	Clip, securing Ventilation Hose		2	
BD.4368	<b>HOSE, CONNECTING TANK TO PETROL FILLER BOX</b>	74- 5	1	
C.2905/7	Clip, securing Hose		2	
C.8407	<b>PETROL TANK ELEMENT UNIT (SMITH'S Y.86030)</b>	74- 6	1	
C.937	Gasket, under Element Unit	74- 7	1	
NS.313/3H	Screw, Set, securing Element Unit		6	
C.2296/9	Copper Washer, on Setscrews		12	
C.8368	<b>STUD, SECURING PETROL TANK TO TIE TUBE ON CHASSIS FRAME REAR EXTENSION</b>	74- 8	2	
C.741	Washer, Shakeproof, at top of Studs	74- 9	2	
C.8370	Rubber Pad, at bottom of Studs	74-10	2	
C.8374	Washer, Special, at each side of Mounting Brackets on Petrol Tank	74-11	4	
NN.131/L	Nut, securing Petrol Tank	74-12	2	
NN.231/L	Locknut, on Studs	74-13	2	

# FUEL SYSTEM

FOR XK.150 'S' MODELS ONLY

Part No.	Description	Plate No.	No. per Unit	Remarks
C.8369	<b>BOLT, SECURING PETROL TANK TO TUBULAR CROSS MEMBER ON CHASSIS FRAME REAR EXTENSION</b>	74-14	2	
C.8370	<b>Rubber Pad, on Bolts</b>	74-15	2	
NN.131/L	<b>Nut, on Bolts</b>	74-16	2	
C.8374	<b>Washer, Special, under Nuts</b>	74-17	2	
NN.231/L	<b>Locknut, on Bolts</b>	74-18	2	
C.8371	<b>Felt Strip, seating Petrol Tank (9"×2"×<math>\frac{1}{8}</math>")</b>		1	
C.8372	<b>Felt Strip, seating Petrol Tank (7"×2"×<math>\frac{1}{8}</math>")</b>		1	
C.8373	<b>Felt Strip, seating Petrol Tank (18"×2"×<math>\frac{1}{8}</math>")</b>		2	
C.8414	<b>Felt Strip, seating Petrol Tank (44"×1"×<math>\frac{1}{8}</math>")</b>		1	
C.7555	<b>PETROL PIPE (REAR) FROM TANK TO CENTRE PIPE</b>	74-19	1	
C.1040/12	<b>Clip, securing Rear Pipe to Damper Bracket on Chassis Frame</b>		1	
NS.125/4D	<b>Screw, Set, securing Clip</b>		1	
NN.125/L	<b>Nut, on Setscrew</b>		1	
C.724	<b>Washer, Shakeproof, under Nut</b>		1	
C.14339	<b>PETROL PIPE (CENTRE) FROM REAR PIPE TO INLET SIDE OF REAR PETROL PUMP</b>	74-20	1	
C.14734	<b>FLEXIBLE PETROL PIPE FROM CENTRE PIPE TO INLET SIDE OF FRONT PETROL PUMP</b>	74-21	1	
C.14340	<b>PETROL PIPE (FRONT) FROM OUTLET SIDE OF FRONT PETROL PUMP TO FORWARD FLEXIBLE PIPE</b>	74-22	1	
C.14271	<b>FLEXIBLE PETROL PIPE FROM OUTLET SIDE OF REAR PETROL PUMP TO BRANCH ON FRONT PIPE</b>	74-23	1	

# FUEL SYSTEM

FOR XK.150 'S' MODELS ONLY

Part No.	Description	Plate No.	No. per Unit	Remarks
C.9688/1	<b>PETROL PUMP (4644/1 — AUA 52)</b>	74-24	2	
C.800	<b>Stud</b> , for mounting of Petrol Pumps	74-25	4	
C.974	<b>Grommet</b> , on Studs	74-26	4	
C.2539/1	<b>Nut</b> , on Studs	74-27	4	
FW.205/T	<b>Washer</b> , Plain, on Studs	74-28	12	
C.11488	<b>Banjo Bolt</b> , securing Flexible Pipe to Outlet side of Rear Petrol Pump	74-29	1	
C.1506	<b>Banjo Bolt</b> , securing Centre Pipe to Inlet side of Rear Pump and Front Pipe to Outlet side of Front Petrol Pump	74-30	2	
C.11489	<b>Fibre Washer</b> , on Banjo Bolts	74-31	6	
C.3629	<b>FLEXIBLE PETROL PIPE (FORWARD) FROM FRONT PIPE TO LOWER PIPE</b>	74-32	1	
C.14357	<b>PETROL PIPE (LOWER) FROM FORWARD FLEXIBLE PIPE TO PETROL FILTER</b>	74-33	1	
C.13681	<b>PETROL FILTER ASSEMBLY (AC.7950001)</b>	74-34	1	
C.13705	<b>Banjo Bolt</b> , securing lower Pipe to Petrol Filter	74-35	1	
C.784	<b>Fibre Washer</b> , on Banjo Bolt	74-36	2	
UFS.131/7R	<b>Screw</b> , Set, securing Petrol Filter to Air Cleaner		2	} Fitted from Chassis No. 820005 to 820038 830336 to 832075 827334 to 827354 837993 to 838245 824789 to 824863 835961 to 836186
FG.105/X	<b>Washer</b> , Spring, on Setscrews		2	
C.14353	<b>Distance Piece</b> , on Setscrews		1	
UFN.131/L	<b>Nut</b> , securing Petrol Filter		2	} Fitted to Chassis No 820039 and subs. 832076 and subs. 827355 and subs. 838246 and subs. 824864 and subs. 836187 and subs.
FG.105/X	<b>Washer</b> , Spring, under Nuts		2	

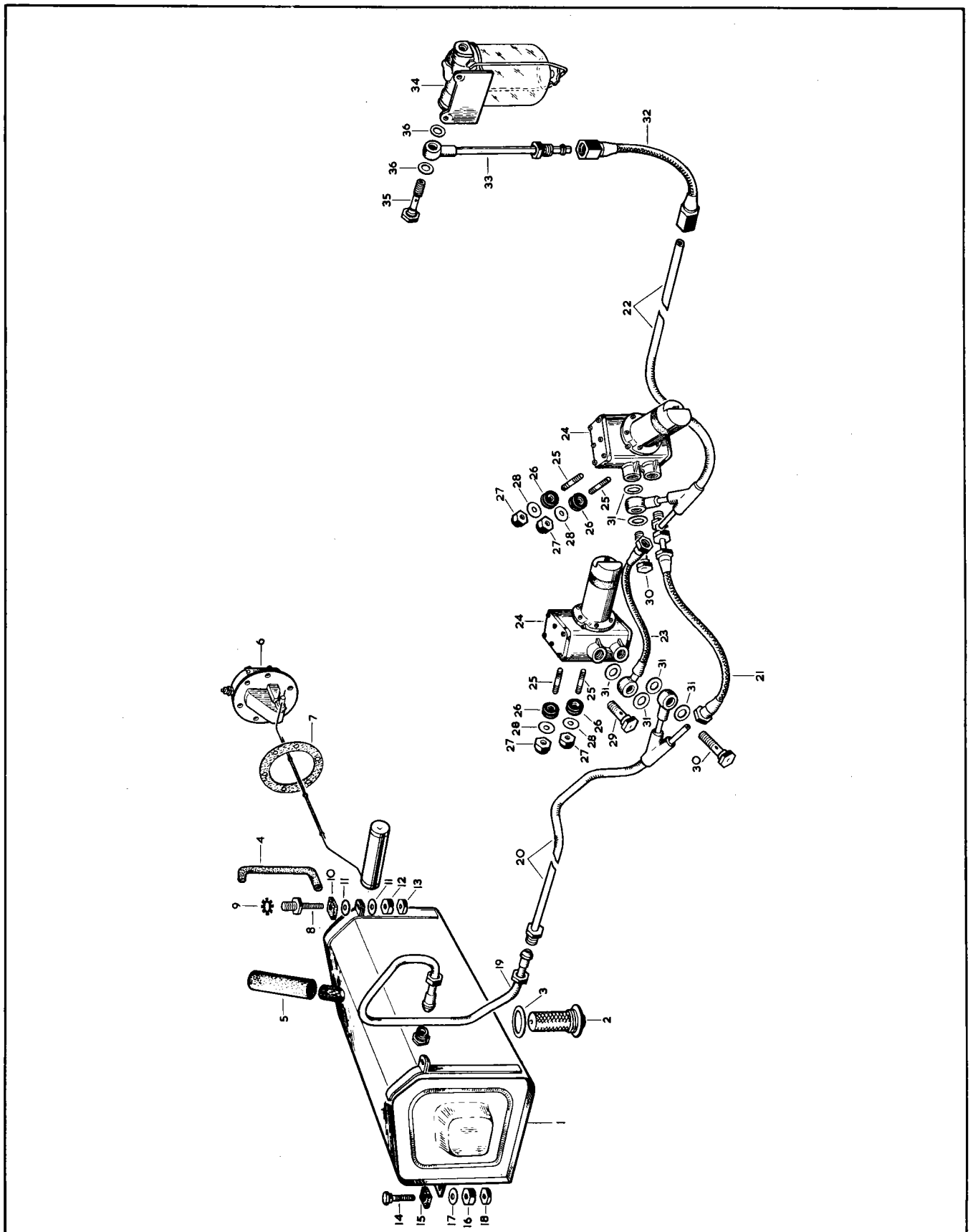


PLATE 74